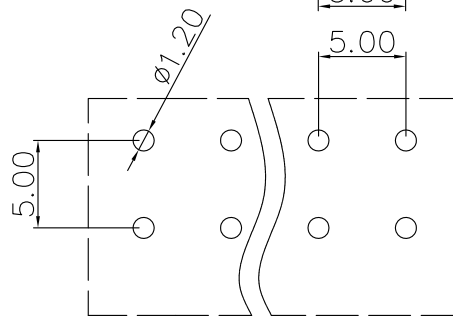
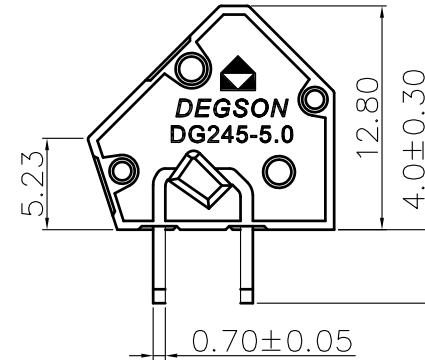
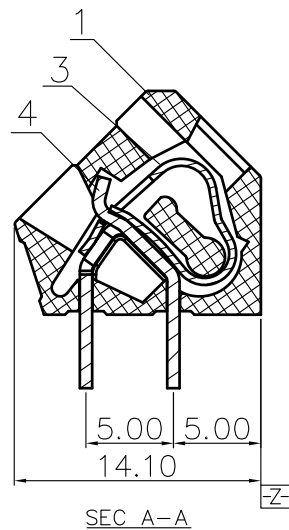
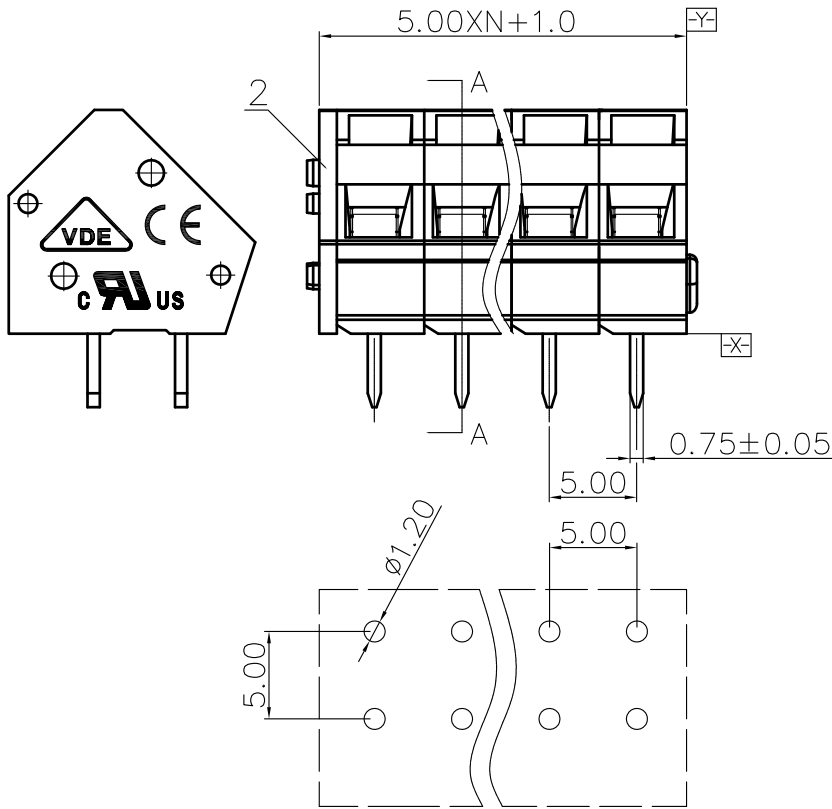


| REVISION RECORD | | | | |
|-----------------|-----|-------------|------|------|
| REV | ECN | DESCRIPTION | DRFT | DATE |

- NOTES:
 1.DIMENSION SHALL BE INTERPRETED PER ASME Y14.5-2009.
 2.PITCH: 5.0MM,POLES: N=XXP
 3.RATED VOLTAGE/CURRENT:UL 300V/15A VDE 450V/17A
 4.OPERATION TEMPERATURES: -40℃~+105℃
 5.WITHSTANDING VOLTAGE: AC2500V/1MIN
 6.INSULATION RESISTANCE: 5000MΩ/DC1000V
 7.WIRE RANGE: 28~12AWG,2.5MM²
 8.UNDIMENSIONED TOLERANCES:

| PITCH RANGE IN MM | | NOMINAL DIMENSION RANGE IN MM | | | | | | - |
|-------------------|--------------|-------------------------------|-------|---------------|----------------|-----------------|----------|---------|
| TO 6 | OVER 6 TO 10 | OVER 10 TO 24 | TO 30 | OVER 30 TO 60 | OVER 60 TO 100 | OVER 100 TO 150 | OVER 150 | □ |
| ±0.10 | ±0.15 | ±0.25 | ±0.20 | ±0.30 | ±0.50 | ±0.70 | ±1.00 | 0.05/10 |



| ITEM | NAME OF PART | NO. OF PART | Q"TY | MATERIAL | NOTES |
|------|-------------------|---------------|------|-----------------|-----------|
| 4 | DG245 Pin header | 3025B00010(H) | XX | Phosphor bronze | Sn plated |
| 3 | DG242 Spring | X000000990(H) | XX | Stainless steel | |
| 2 | DG245-5.0-COVER | 3025CYY01A(H) | 1 | PA66 | UL94V-0 |
| 1 | DG245-5.0-HOUSING | 3025AYY01A(H) | XX | PA66 | UL94V-0 |

| MM (INCH) | | MATERIAL: | | | |
|----------------------------|---------|---|--|---|-----|
| TOLERANCES EXCEPT AS NOTED | | FINISH: | | | |
| .X ± | .X' ± | PART NO.: | | NAME: | |
| .XX ± | .XX' ± | APPD: _____ CHKD: _____ DRFT: Haoyh 06/27/05" | | DG245-5.0-XXP-1Y-00A(H) | |
| .XXX ± | .XXX' ± | | | TITLE: ASSEMBLY DRAWING DRAWING NO.: DG245-5.0-E01 | |
| ANGLES ± 1° | | THIRD ANGLE PROJECTION | | REV | T6 |
| | | DO NOT SCALE DRAWING | | SCALE | N/A |
| | | SHEET | | 1/1 | |