

Number of contacts	16-96
Contact spacing (mm)	2.54
Working current see current carrying capacity chart	2 A max. 1 A with insulation displacement 40 A max. type M
Clearance	≥ 1.2 mm
Creepage	≥ 1.2 mm
Working voltage The working voltage also depends on the clearance and creepage dimensions of the pcb itself, and the associated wiring	according to the safety regulations of the equipment Explanations see chapter 00
Test voltage $U_{r.m.s.}$	1 kV
Contact resistance	≤ 15 mΩ for wire wrap connection ≤ 20 mΩ including crimp connection
Insulation resistance	≥ 10 ¹² Ω
Temperature range The higher temperature limit includes the local ambient and heating effects of the contacts under load	- 55 °C ... + 125 °C
Degree of protection for crimp terminal IP 20 according to DIN 40 050	

Electrical termination	
Male connector	Solder pins for pcb connections Ø 1.0 ± 0.1 mm according to IEC 60 326-3 For pcb connection Ø 0.8 + 0.3 mm on request wrap posts 0.6 x 0.6 mm diagonal 0.79-0.86 mm
Female connector	wrap posts 0.6 x 0.6 mm diagonal 0.79-0.86 mm Solder pins for pcb connections Ø 1.0 ± 0.1 mm according to IEC 60 326-3 For pcb connection Ø 0.8 + 0.3 mm on request Crimp terminal 0.09-0.5 mm ² Insulation displacement connection AWG 28/7

Insertion and withdrawal force	16way ≤ 15 N 32way ≤ 30 N 48way ≤ 45 N 64way ≤ 60 N 96way ≤ 90 N
--------------------------------	--

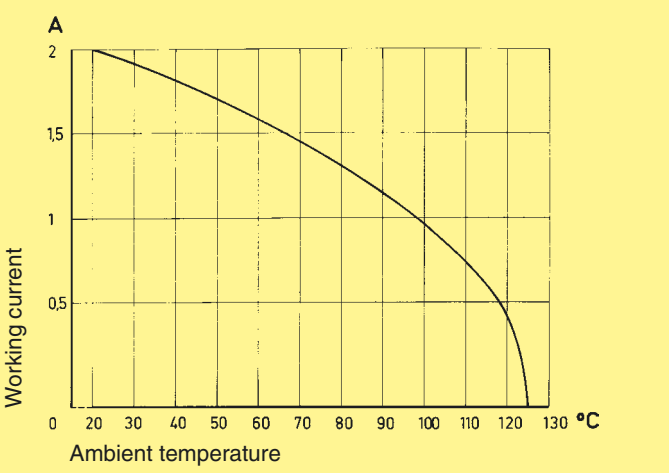
Materials	
Mouldings	Thermoplastic resin, glass-fibre filled, UL 94-V0
Contacts	Copper alloy
Contact surface	Contact zone: selectively plated according to performance level ¹⁾ Termination zone: tinned Wrap posts: selectively gold-plated on request

¹⁾ Explanation performance levels see chapter 00
Mating conditions see chapter 00

Current carrying capacity

The current carrying capacity is limited by maximum temperature of materials for inserts and contacts including terminals. The current capacity curve is valid for continuous, non interrupted current loaded contacts of connectors when simultaneous power on all contacts is given, without exceeding the maximum temperature.

Control and test procedures according to DIN IEC 60 512



Pin shroud for female connectors with 0.6 x 0.6 mm pins according to DIN 41 612

A secure interfacing system for signals from the rear of 19" racks to connectors with wrap posts 0.6 x 0.6 mm is possible with the use of a pin shroud.

The pin shroud protects the wrap posts on the rear side of the rack and can be screwed to the printed circuit board.

After assembly the rear ends of the wire wrap posts become the mating areas of the type C male connector according to DIN 41 612.

This system can now accept:

- female connectors type C
- female connectors type R

The locking levers provide security for the mated connectors. Fast and simple disconnection is possible.

Fitting and removing crimp contacts

see technical characteristics chapter 02

Types signal to 2 A

Number of contacts

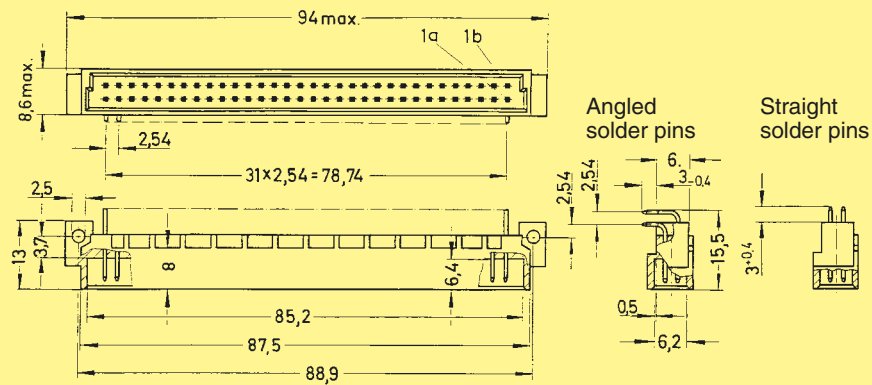
64, 32



Male connectors

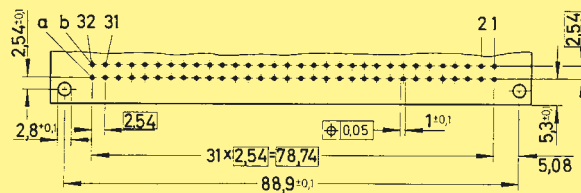
Identification	Number of contacts	Contact arrangement	Part No. Performance levels according to DIN 41 612. Explanation chapter 00		
			3	2	1
Male connector with angled solder pins	64		09 02 164 7921	09 02 164 6921	09 02 164 2921
	32		09 02 132 7921	09 02 132 6921	09 02 132 2921
	32		09 02 132 7931	09 02 132 6931	09 02 132 2931
	62 + 2 [▲]		09 02 164 7951	09 02 164 6951	09 02 164 2951
Male connector with straight solder pins	64		09 02 164 7922	09 02 164 6922	09 02 164 2922
	32		09 02 132 7922	09 02 132 6922	09 02 132 2922
	32		09 02 132 7932	09 02 132 6932	09 02 132 2932
	62 + 2 [▲]		09 02 164 7952	09 02 164 6952	09 02 164 2952

Dimensions



Board drillings

Mounting side

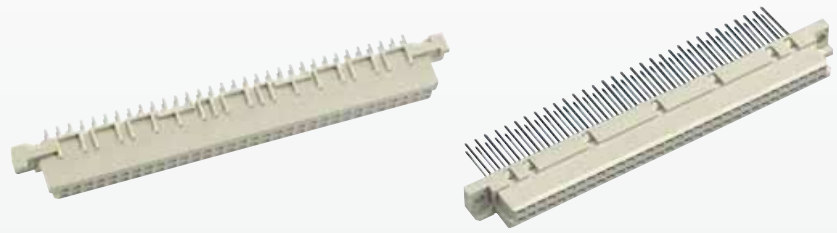


Dimensions in mm

[▲] Male connectors with 2 leading contacts [(0.8 mm) pos. a1 and a32]
Other contact arrangements on request

Number of contacts

64



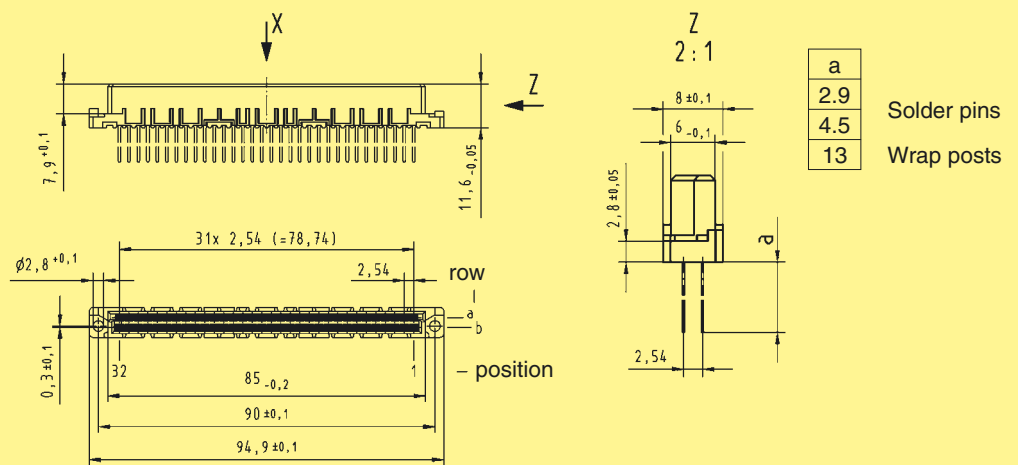
Female connectors

Identification	Number of contacts	Contact arrangement	Part No.	Performance levels according to DIN 41 612. Explanation chapter 00		
				3	2	1
Female connector with solder pins 2.9 mm	64		Performance level 3 on request	09 02 264 6824	Performance level 1 on request	
Female connector with solder pins 4.5 mm	64			09 02 264 6825		
Female connector with wrap posts 13 mm	64			09 02 264 6821		

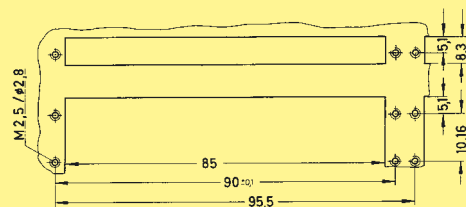
Female connector with press-in pins

Part Nos. and variants see chapter 04

Dimensions

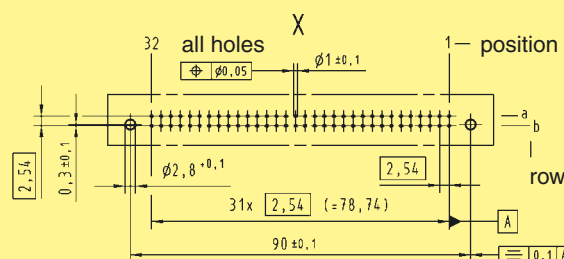


Panel cut out



Board drillings

Mounting side



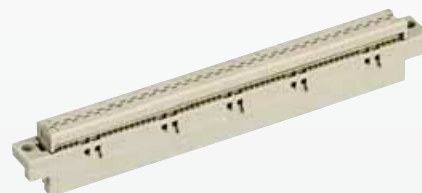
Identification strips see chapter 40

Dimensions in mm

Type A
Signal 2 A

Number of contacts

64



Female connectors

Type A
Sigma 0 2 A

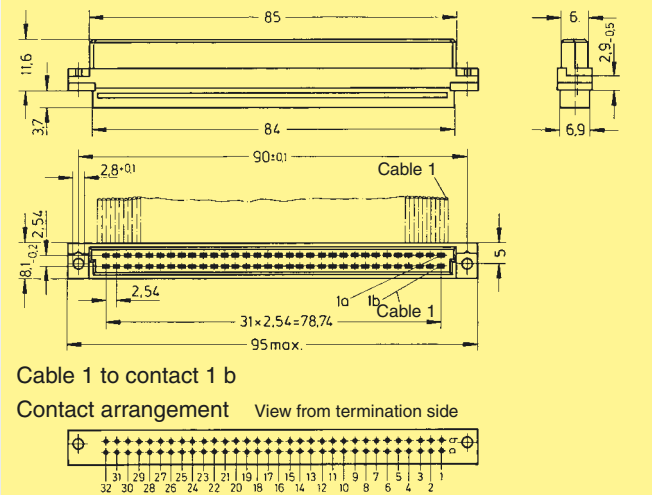
Identification	Number of contacts	Part No.	Drawing	Dimensions in mm
----------------	--------------------	----------	---------	------------------

Female connector for insulation displacement

64

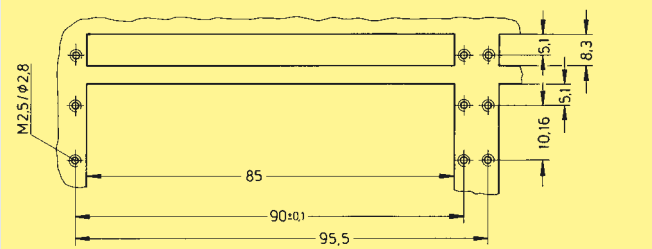
Performance level 2
09 02 264 6828

Performance level 3
09 02 264 7828



Panel cut out

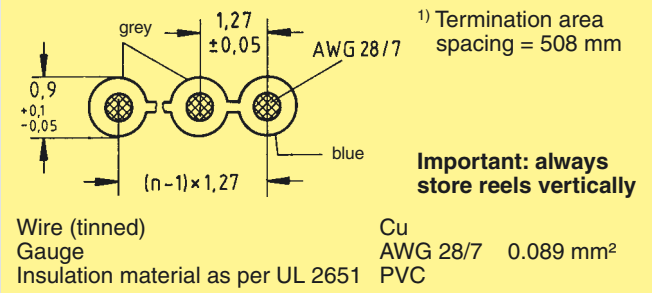
64



Flat cable
AWG 28/7

grey	50.00 m	64	09 18 064 7001
grey	150.00 m	64	09 18 064 7004
colour coded	30.48 m	64	09 18 064 7005
twisted pair ¹⁾	30.48 m	64	09 18 064 7006

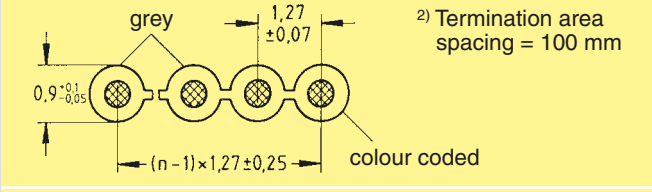
64



Round flat cable²⁾

with screening	30 m	64	09 18 064 7007
	150 m	64	09 18 064 7010
without screening	30 m	64	09 18 064 7008
	150 m	64	09 18 064 7011

64



Bench press
Base plate

09 99 000 0114
09 99 000 0150

Flat cable cutter

09 99 000 0116

Spare parts
Blade
Cutting plate

09 99 000 0179
09 99 000 0180



DIN 41 612 · complementary type 2B



Number of contacts

32, 16

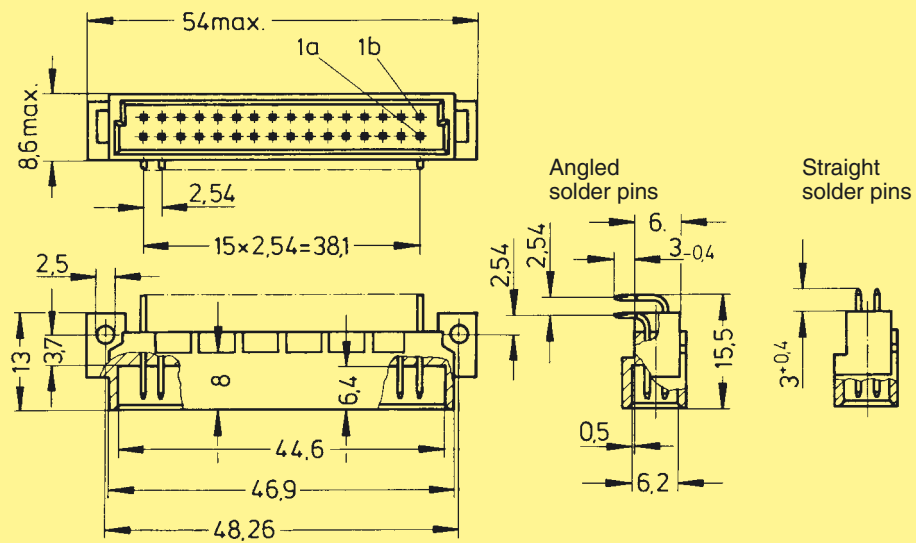


Male connectors

Types signal to 2 A

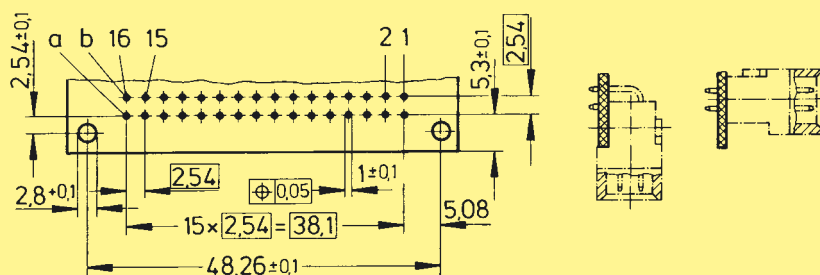
Identification	Number of contacts	Contact arrangement	Part No.	Performance levels according to DIN 41 612. Explanation chapter 00		
				3	2	1
Male connector with angled solder pins	32		09 22 132 7921	09 22 132 6921	09 22 132 2921	
	16		09 22 116 7931	09 22 116 6931	09 22 116 2931	
	30 + 2 [▲]		09 22 132 7951	09 22 132 6951	09 22 132 2951	
Male connector with straight solder pins	32		09 22 132 7922	09 22 132 6922	09 22 132 2922	
	16		09 22 116 7932	09 22 116 6932	09 22 116 2932	
	30 + 2 [▲]		09 22 132 7952	09 22 132 6952	09 22 132 2952	

Dimensions



Board drillings

Mounting side



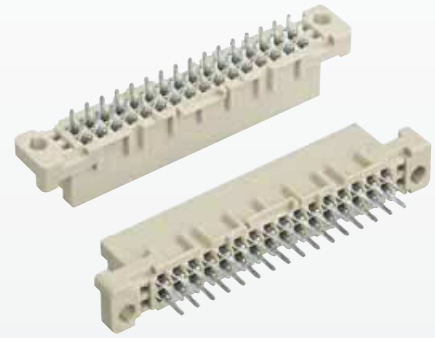
Dimensions in mm

01
16

▲ Male connectors with 2 leading contacts [(0.8 mm) pos. a1 and a16]
Other contact arrangements on request

Number of contacts

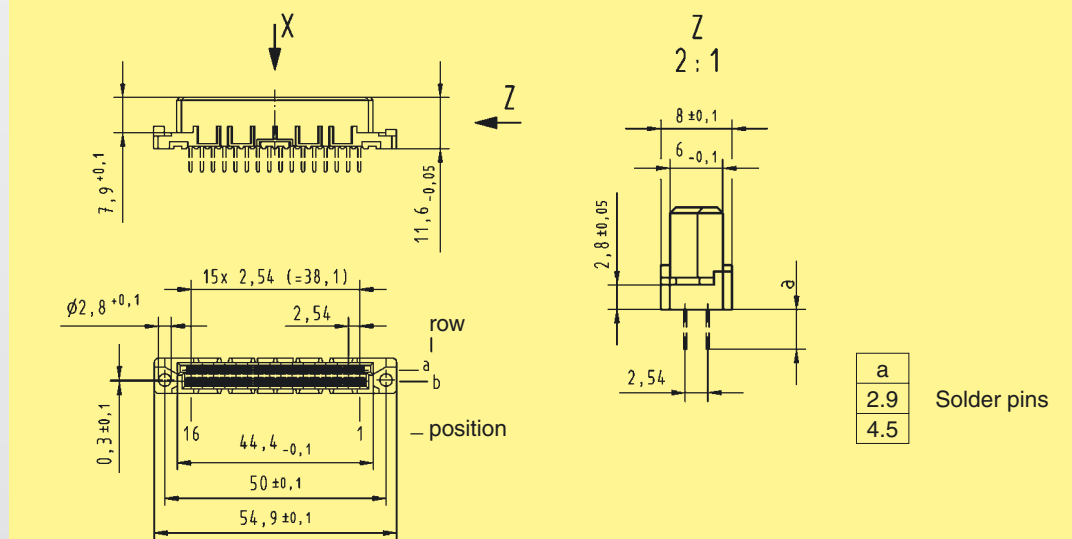
32



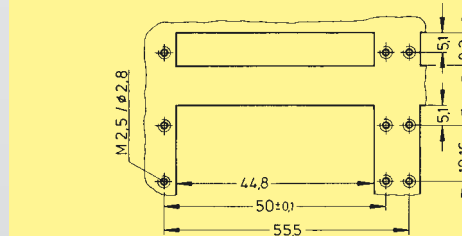
Female connectors

Identification	Number of contacts	Contact arrangement	Part No.	Performance levels according to DIN 41 612. Explanation chapter 00		
			3	2	1	
Female connector with solder pins 2.9 mm	32		Performance level 3 on request	09 22 232 6824	Performance level 1 on request	
Female connector with solder pins 4.5 mm	32			09 22 232 6825		
Female connector with press-in pins	Part Nos. and variants see chapter 04					

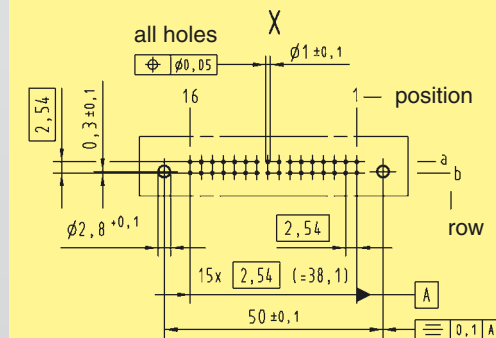
Dimensions



Panel cut out



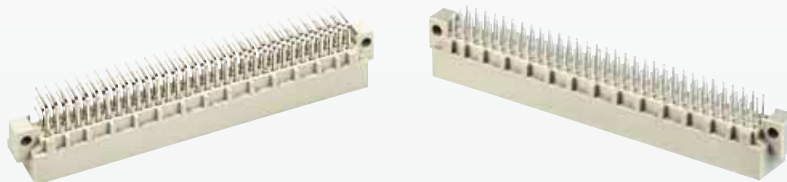
Board drillings
Mounting side



Dimensions in mm

Number of contacts

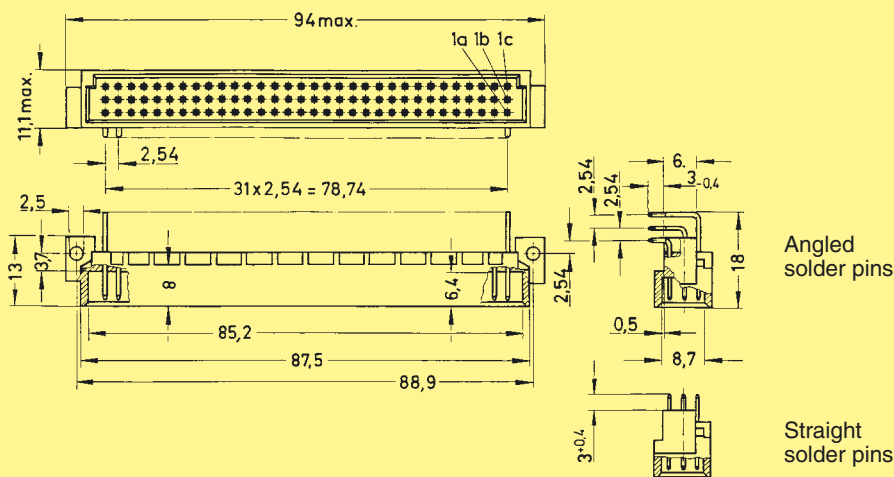
96, 64, 32



Male connectors

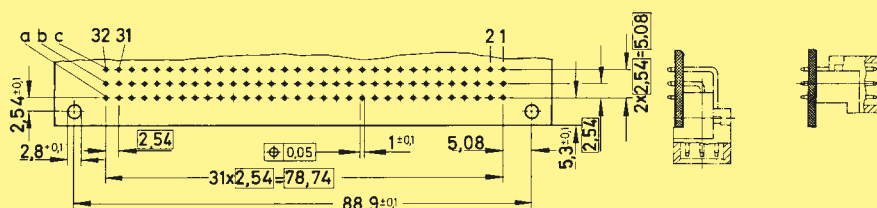
Identification	Number of contacts	Contact arrangement	Part No. Performance levels according to DIN 41 612. Explanation chapter 00		
			3	2	1
Male connector with angled solder pins	96		09 03 196 7921	09 03 196 6921	09 03 196 2921
	64		09 03 164 7921	09 03 164 6921	09 03 164 2921
	32		09 03 132 7921	09 03 132 6921	09 03 132 2921
	94 + 2 [▲]		09 03 196 7951	09 03 196 6951	09 03 196 2951
	62 + 2 [▲]		09 03 164 7951	09 03 164 6951	09 03 164 2951
Male connector with straight solder pins	96		09 03 196 7922	09 03 196 6922	09 03 196 2922
	64		09 03 164 7922	09 03 164 6922	09 03 164 2922

Dimensions



Board drillings

Mounting side



Dimensions in mm

[▲] Male connectors with 2 leading contacts [(0.8 mm) pos. a1 and a32]
 Other contact arrangements on request
 High temperature connectors see chapter 05

Number of contacts

96, 64, 32

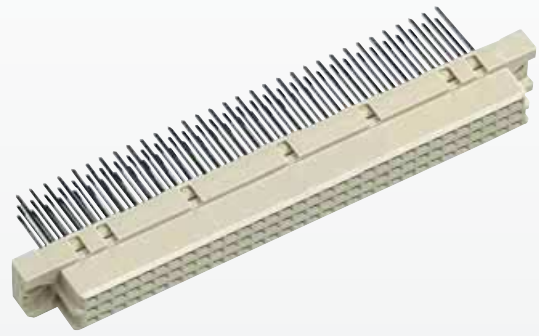


Female connectors

Type A
Signal 2 A

Identification	Number of contacts	Contact arrangement	Performance levels according to DIN 41 612. Explanation chapter 00		
			Part No. 3	2	1
Female connector with solder pins 2.9 mm	96		09 03 296 7824	09 03 296 6824	09 03 296 2824
	64		09 03 264 7824	09 03 264 6824	09 03 264 2824
	32		09 03 232 7824	09 03 232 6824	09 03 232 2824
	32		09 03 232 7834	09 03 232 6834	09 03 232 2834
Female connector with kinked solder pins ¹⁾ 2.9 mm	96		09 03 296 7855	09 03 296 6855	09 03 296 2855
	64		09 03 264 7855	09 03 264 6855	09 03 264 2855
	32		09 03 232 7855	09 03 232 6855	09 03 232 2855
Female connector with solder pins 4.5 mm	96		09 03 296 7825	09 03 296 6825	09 03 296 2825
	64		09 03 264 7825	09 03 264 6825	09 03 264 2825
	32		09 03 232 7825	09 03 232 6825	09 03 232 2825
	32		09 03 232 7835	09 03 232 6835	09 03 232 2835
Female connector with kinked solder pins ¹⁾ 4.5 mm	96		09 03 296 7845	09 03 296 6845	09 03 296 2845
	64		09 03 264 7845	09 03 264 6845	09 03 264 2845
	32		09 03 232 7845	09 03 232 6845	09 03 232 2845
Female connector with wrap posts 13 mm	96			09 03 296 6821	
	96			09 03 296 6878 ²⁾	
	64			09 03 264 6821	
	64			09 03 264 6878 ²⁾	
Female connector with solder lugs a + c 5.2 mm b 7.7 mm	96			09 03 296 6823	
	64			09 03 264 6823	
Female connector with press-in pins			Part Nos. and variants see chapter 04		

¹⁾ Kinked pins for fixing the connector onto the pcb see chapter 00
²⁾ Wrap posts for interfacing, selectively gold-plated (performance level 3)
 Other contact arrangements on request



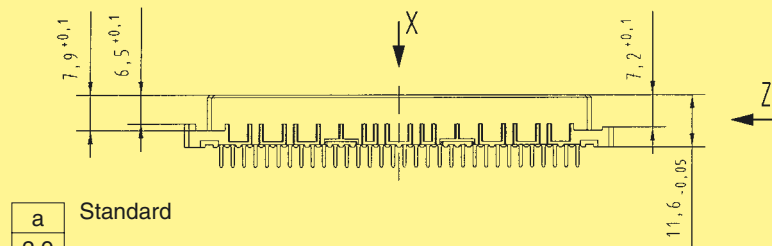
Type C
Signal 2 A

Identification

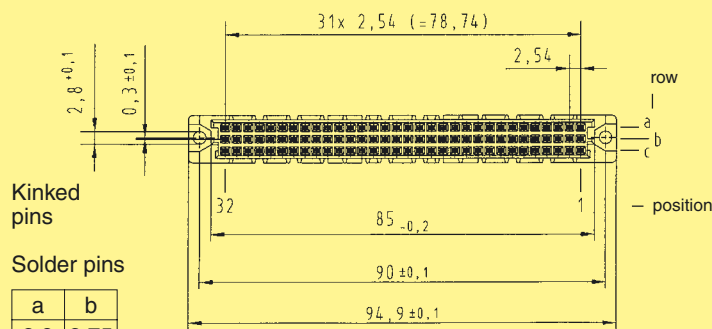
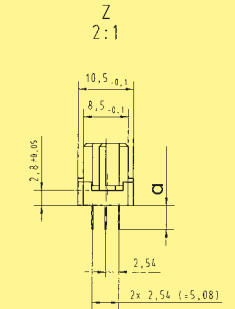
Female connectors
type C
DIN 41 612

Drawing

Dimensions in mm



a	Standard
2.9	Solder pins
4.5	Wrap posts

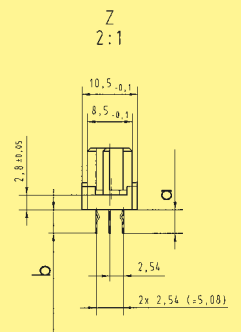


Kinked pins

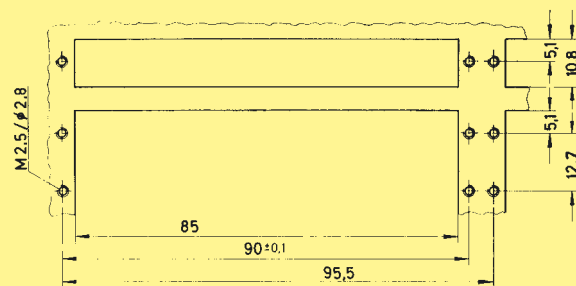
a	b
2.9	2.75
4.5	4.35

Solder pins

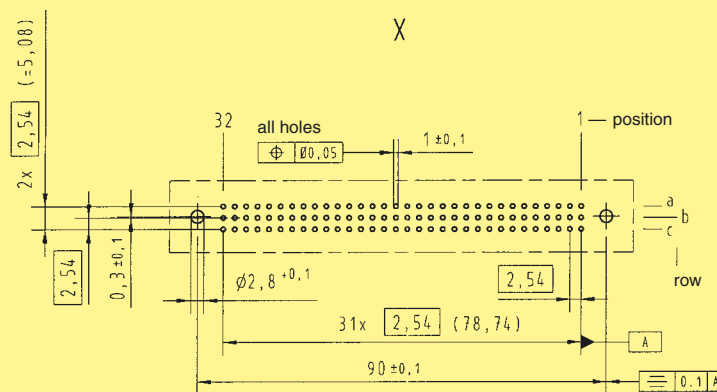
b ≙ Length of kinked pins



Panel cut out



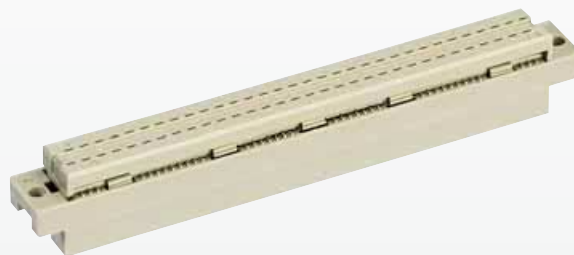
Board drillings
Mounting side



Identification strips see chapter 40

Number of contacts

64



Female connectors

Type A
Amplio 2 A

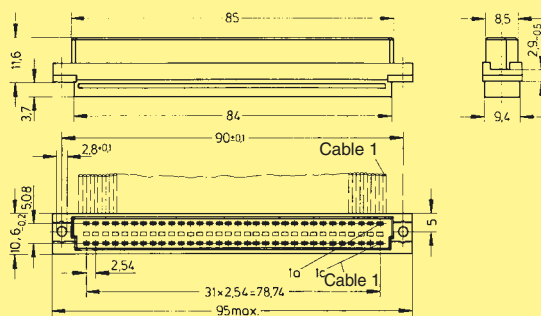
Identification	Number of contacts	Part No.	Drawing	Dimensions in mm
----------------	--------------------	----------	---------	------------------

Female connector for insulation displacement

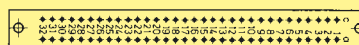
64

Performance level 2
09 03 264 6828

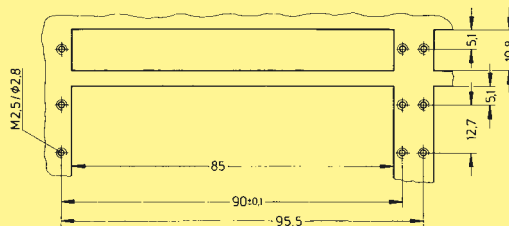
Performance level 3
09 03 264 7828



Cable 1 to contact 1 c
Contact arrangement View from termination side



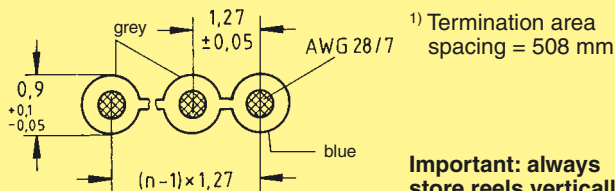
Panel cut out



Mateable with 3 row male connector type C, no female contacts in the middle row

Flat cable
AWG 28/7

grey	50.00 m	64	09 18 064 7001
grey	150.00 m	64	09 18 064 7004
colour coded	30.48 m	64	09 18 064 7005
twisted pair ¹⁾	30.48 m	64	09 18 064 7006



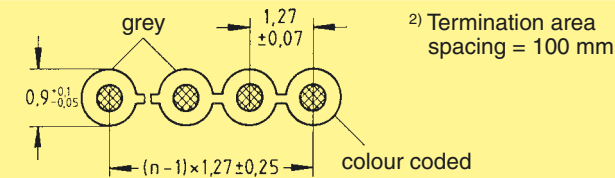
Wire (tinned) Gauge Insulation material as per UL 2651

Cu AWG 28/7 0.089 mm² PVC

Important: always store reels vertically

Round flat cable²⁾

with screening	30 m	64	09 18 064 7007
	150 m	64	09 18 064 7010
without screening	30 m	64	09 18 064 7008
	150 m	64	09 18 064 7011



Bench press
Base plate

09 99 000 0114
09 99 000 0150

Flat cable cutter

09 99 000 0116

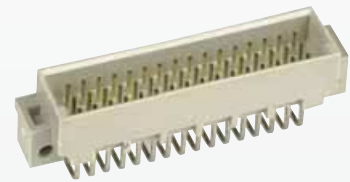
Spare parts
Blade
Cutting plate

09 99 000 0179
09 99 000 0180



Number of contacts

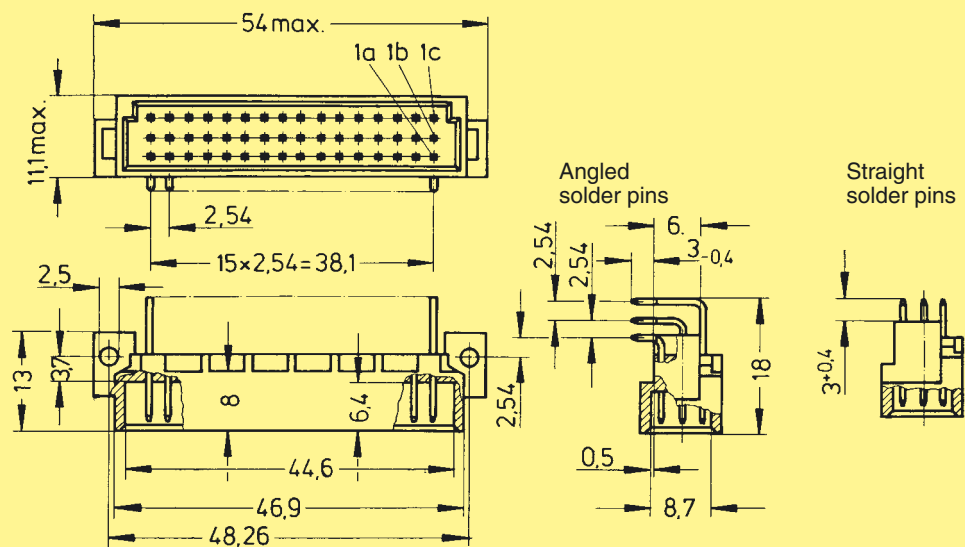
48, 32, 16



Male connectors

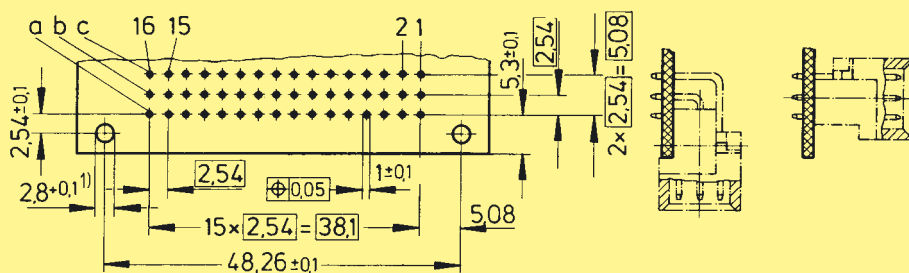
Identification	Number of contacts	Contact arrangement	Part No.	Performance levels according to DIN 41 612. Explanation chapter 00		
				3	2	1
Male connector with angled solder pins	48		09 23 148 7921	09 23 148 6921	09 23 148 2921	
	32		09 23 132 7921	09 23 132 6921	09 23 132 2921	
	16		09 23 116 7931	09 23 116 6931	09 23 116 2931	
	46 + 2 [▲]		09 23 148 7951	09 23 148 6951	09 23 148 2951	
Male connector with straight solder pins	48		09 23 148 7922	09 23 148 6922	09 23 148 2922	
	32		09 23 132 7922	09 23 132 6922	09 23 132 2922	

Dimensions



Board drillings

Mounting side

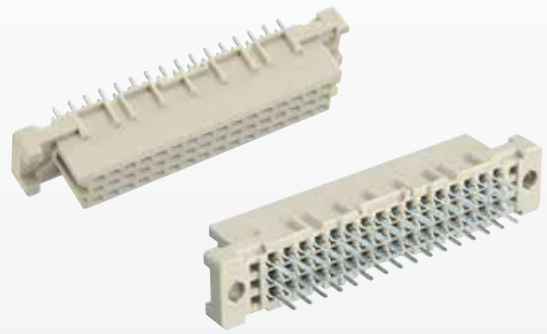


Dimensions in mm

▲ Male connectors with 2 leading contacts [(0.8 mm) pos. a1 and a16]
Other contact arrangements on request
High temperature connector see chapter 05

Number of contacts

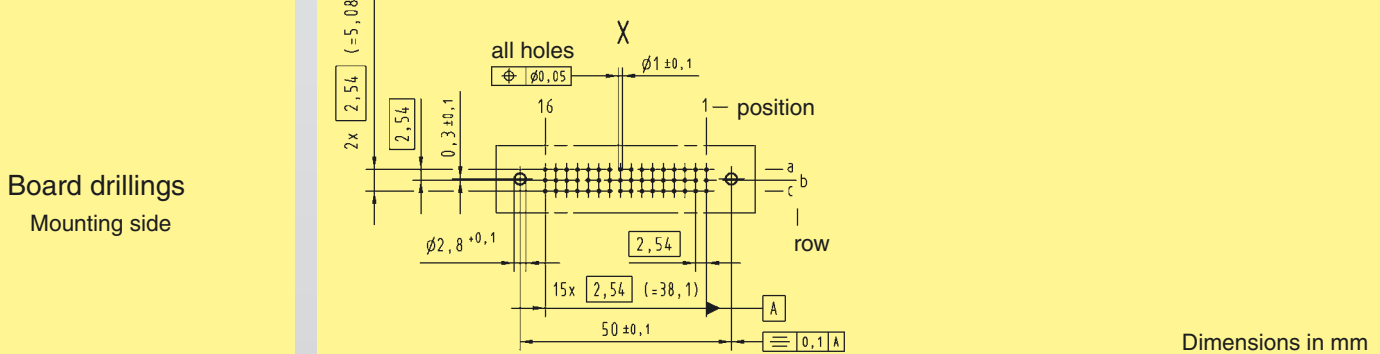
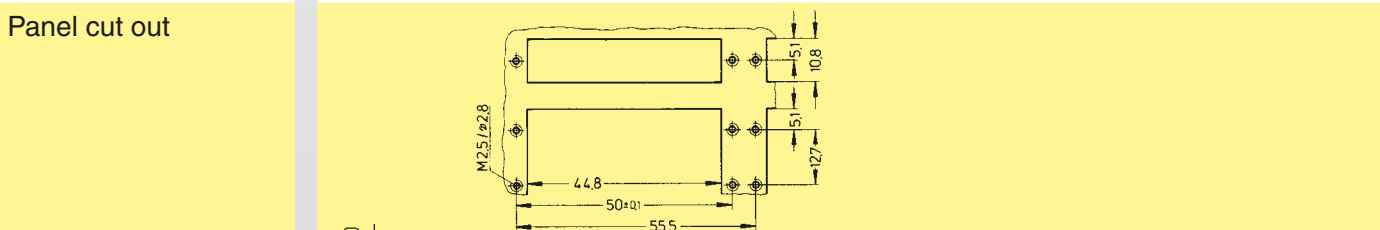
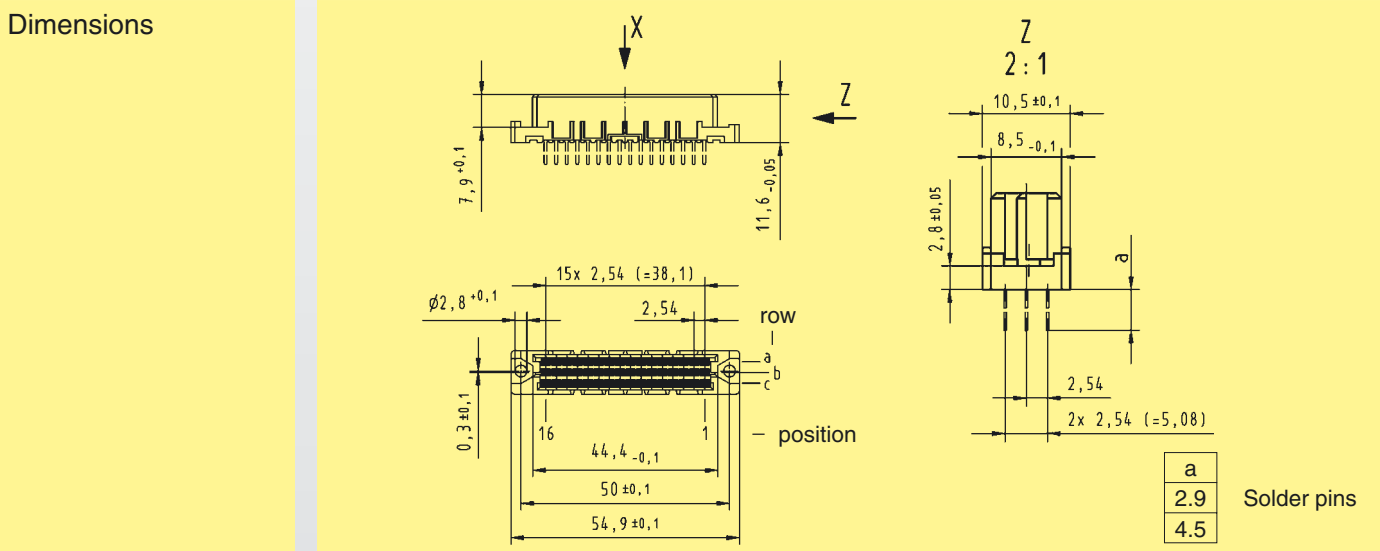
48



Female connectors

Identification	Number of contacts	Contact arrangement	Part No.	Performance levels according to DIN 41 612. Explanation chapter 00		
				3	2	1
Female connector with solder pins 2.9 mm	48		Performance level 3 on request	09 23 248 6824	Performance level 1 on request	
Female connector with solder pins 4.5 mm	48			09 23 248 6825		

Female connector with press-in pins
Part Nos. and variants see chapter 04



Dimensions in mm

Other contact arrangements on request

Type ▲
Signal 2 A

Number of contacts

78+2, 60+4, 42+6, 24+8

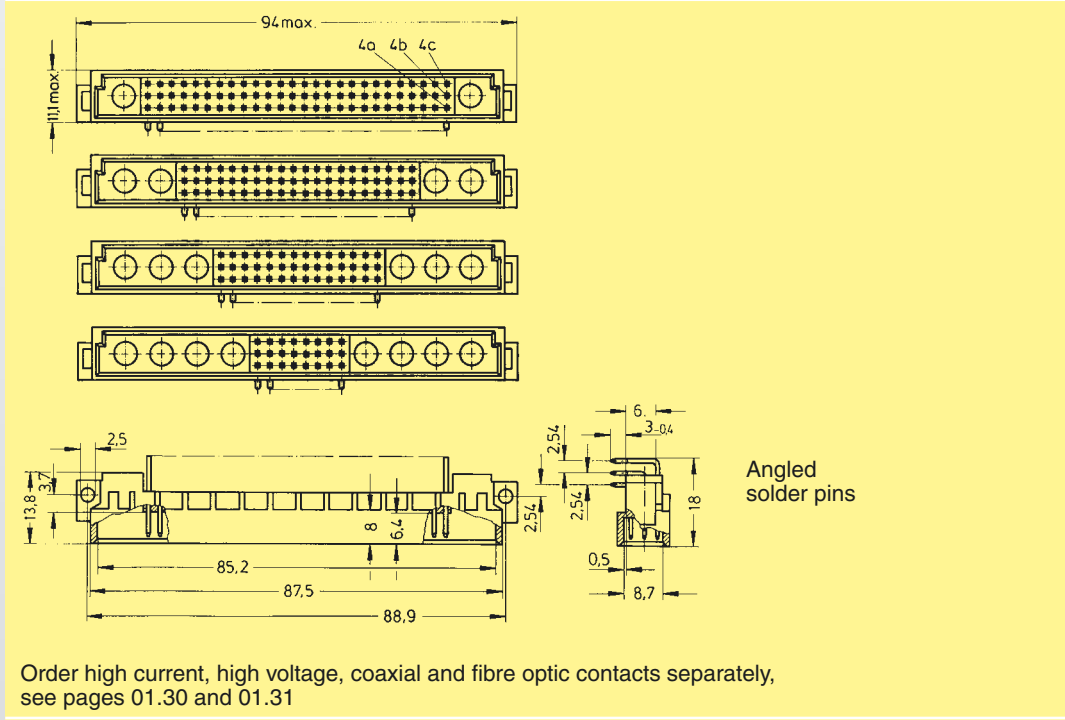


Male connectors

Type M
Agma 00 2 A

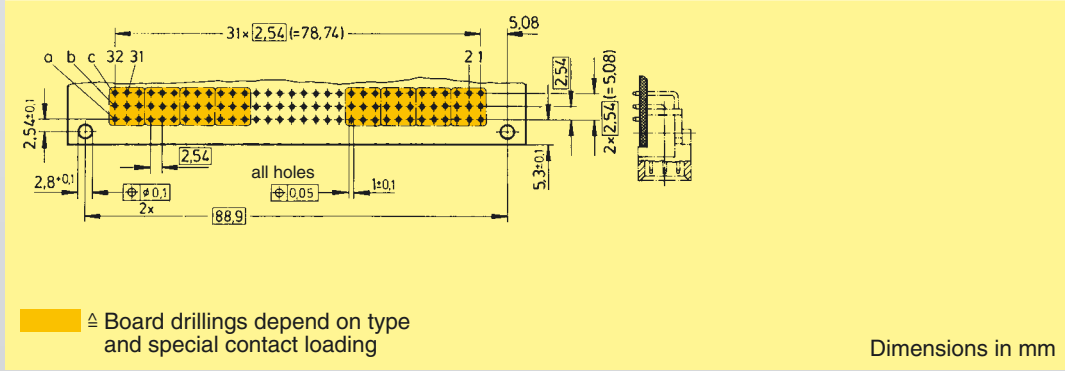
Identification	Number of contacts	Contact arrangement	Part No.	Performance levels according to DIN 41 612. Explanation chapter 00	
				3	2 1
Male connector with angled solder pins	78 + 2		09 03 178 7901	09 03 178 6901	09 03 178 2901
	60 + 4		09 03 160 7901	09 03 160 6901	09 03 160 2901
	42 + 6		09 03 142 7901	09 03 142 6901	09 03 142 2901
	24 + 8		09 03 124 7901	09 03 124 6901	09 03 124 2901

Dimensions



Board drillings

Mounting side

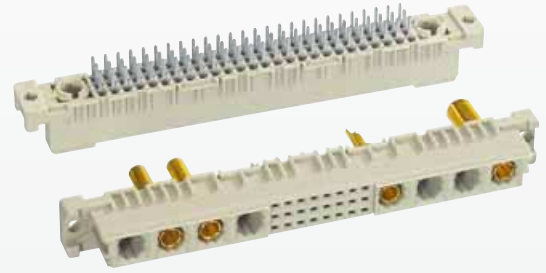


Dimensions in mm

Other contact arrangements on request

Number of contacts

78+2, 60+4,
42+6, 24+8



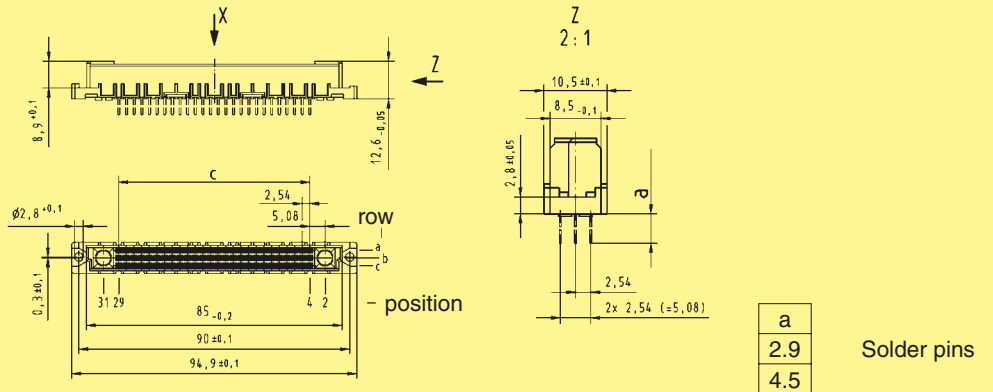
Female connectors

Identification	Number of contacts	Contact arrangement	Part No.	Performance levels according to DIN 41 612. Explanation chapter 00		
				3	2	1
Female connector with solder pins 2.9 mm	78 + 2		Performance level 3 on request	09 03 278 6804	Performance level 1 on request	
	60 + 4			09 03 260 6804		
	42 + 6			09 03 242 6804		
	24 + 8			09 03 224 6804		
Female connector with solder pins 4.5 mm	78 + 2		Performance level 3 on request	09 03 278 6805	Performance level 1 on request	
	60 + 4			09 03 260 6805		
	42 + 6			09 03 242 6805		
	24 + 8			09 03 224 6805		

Female connector with press-in pins

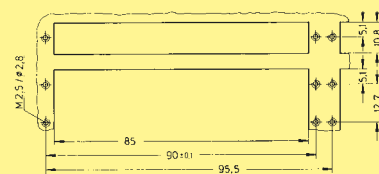
Part Nos. and variants see chapter 04

Dimensions

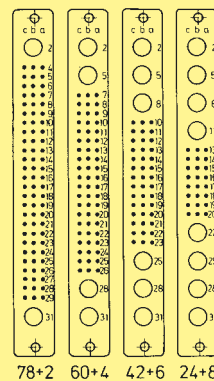


Order high current, high voltage, coaxial and fibre optic contacts separately, see pages 01.30 and 01.31

Panel cut out

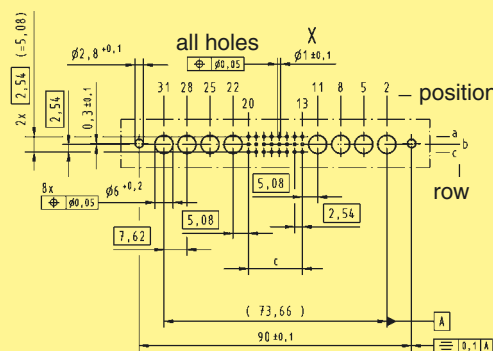


Contact arrangement View from termination side



Board drillings

Mounting side

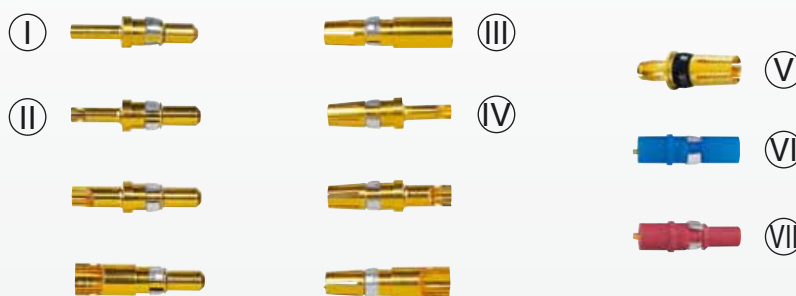


Type	c
78 + 2	25 x 2.54 = 63.5
60 + 4	19 x 2.54 = 48.26
42 + 6	13 x 2.54 = 33.02
24 + 8	7 x 2.54 = 17.78

Dimensions in mm

Other contact arrangements on request

Type M
Signal 2 A



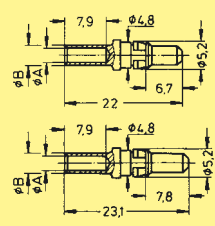
High current contacts
High voltage contacts

Type A
Sigma 2 A

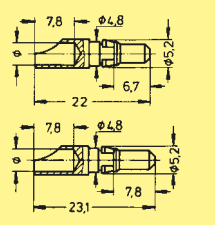
Identification Part No. Performance level 2 Drawing Dimensions in mm

High current male contacts for male connectors¹⁾

Identification	Part No.	Performance level 2
I for straight crimp termination	10 A	09 03 000 6113
	20 A	09 03 000 6114
	40 A	09 03 000 6115
Leading contact	10 A	09 03 000 6123
	20 A	09 03 000 6124
	40 A	09 03 000 6125
II for straight solder termination	10 A	09 03 000 6101
	20 A	09 03 000 6102
	40 A	09 03 000 6103
Leading contact	10 A	09 03 000 6111
	20 A	09 03 000 6122
	40 A	09 03 000 6133
for angled pcb termination	40 A	09 03 000 6104
Leading contact	40 A	09 03 000 6134



	ø A	ø B	wire gauge [mm ²]	AWG
10 A	1.85	2.55	1.5	16
20 A	2.80	3.70	4	12
40 A	4.40	5.60	10	8



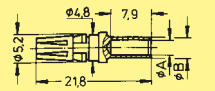
	ø
10 A	1.7
20 A	2.8
40 A	4.8

	X
... 6104	17.7
... 6134	18.4

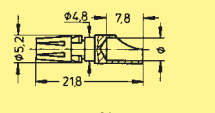
¹⁾ Solder pins for hole $\varnothing 1 \pm 0.1$ mm

High current female contacts for female connectors¹⁾

Identification	Part No.	Performance level 2
III for straight crimp termination	10 A	09 03 000 6213
	20 A	09 03 000 6214
	40 A	09 03 000 6215
IV for straight solder termination	10 A	09 03 000 6201
	20 A	09 03 000 6202
	40 A	09 03 000 6203
V for press-in termination for type M-flat	40 A	09 03 000 6250



	ø A	ø B	wire gauge [mm ²]	AWG
10 A	1.85	2.55	1.5	16
20 A	2.80	3.70	4	12
40 A	4.40	5.60	10	8

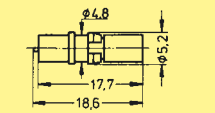


	ø
10 A	1.7
20 A	2.8
40 A	4.8



High voltage male contact for male connectors²⁾

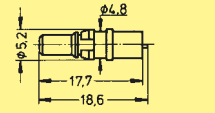
Identification	Part No.	Performance level 2
VI for straight solder termination	2.8 kV	09 03 000 6140



Wire gauge max. 0.5 mm²

High voltage female contact for female connectors²⁾

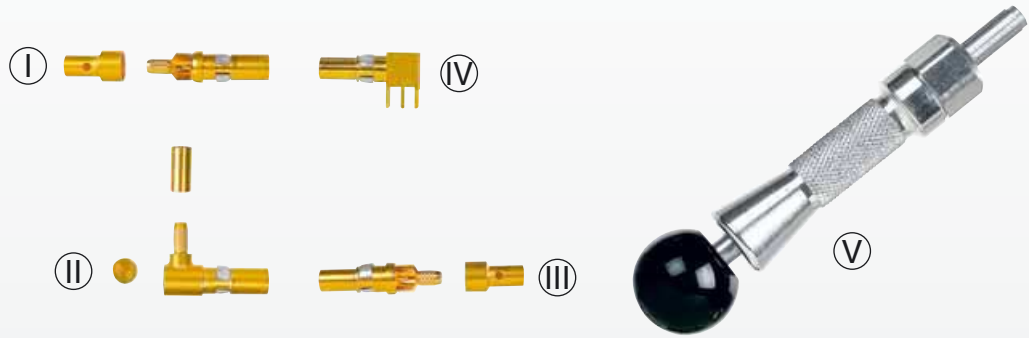
Identification	Part No.	Performance level 2
VII for straight solder termination	2.8 kV	09 03 000 6240



Wire gauge max. 0.5 mm²

Identification	Part No.	Performance level 2
Crimping tool for high current contacts	09 99 000 0196	

¹⁾ Contact resistance max. 1.5 mΩ
²⁾ Contact resistance internal wire max. 3 mΩ



Coaxial contacts

Identification	Part No. Performance level 2	Drawing	Dimensions in mm
Male coaxial contacts for female connectors (I) for straight solder and/or crimp termination (II) for angled solder and/or crimp termination	09 03 000 6160 09 03 000 6181* 09 03 000 6161		Assembly instruction for contacts (I) and (III)
Female coaxial contacts for male connectors (III) for straight solder and/or crimp termination (IV) angled for pcb termination	without knurled area 09 03 000 6260 09 03 000 6281* with knurled area 09 03 000 6274 09 03 000 6262 09 03 000 6269*	with/without knurled area <p>1) Solder pins for hole $\varnothing 1 \pm 0.1$ mm</p>	for contacts (II) <p>Mound-insulator, solder, cap, press together</p>
Crimping tool for coaxial contacts	09 99 000 0194		
Removal tool incl. removal jacket (V) for contact replacement	09 99 000 0174		
Replacement removal jacket	09 99 000 0243		

Electrical characteristics of 50 Ω coaxial contacts and wires

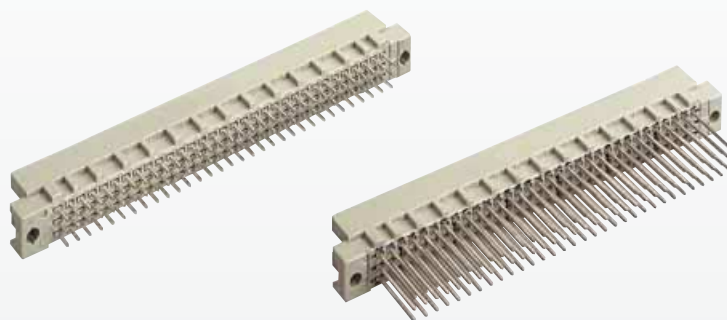
Impedance	50 Ω
Max. working frequency	2 up to 10 GHz
VSWR-value	1.07 + 0.02 f [GHz]
Proof voltage	750 V / 50 Hz
Working voltage	250 V / 50 Hz
Insulation resistance	≥ 1 GΩ
Contact resistance	- Center contact: 10 mΩ - Outer contact: 3 mΩ
Contact current max.	1.5 A
Admissible power (depends on: frequency, application, VSWR, environmental characteristics)	Data on request
75 Ohm versions	Data on request

Cable group 2 flexible wires	Shell ø	Screening ø	Dielectric ø	Internal wire ø	Hexagonal crimp Spanner width
RG 174 A/U	2.5	2.0	1.5	0.48	3.25
RG 188 A/U	2.6	2.0	1.5	0.54	3.25
RG 316 U	2.5	2.0	1.5	0.54	3.25

* Coaxial contact 75 Ω
Fibre optic contacts on request

Number of contacts

96, 64, 32



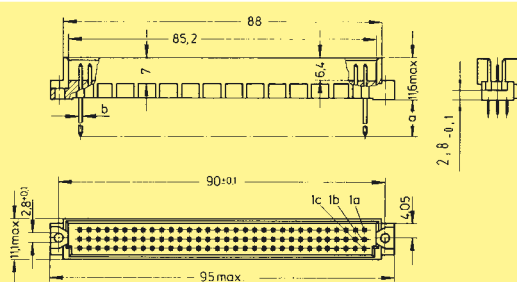
Male connectors

Identification	Number of contacts	Contact arrangement	Part No.	Performance levels according to DIN 41 612. Explanation chapter 00		
				3	2	1
Male connector with solder pins 2.5 mm	96		09 73 196 7902	09 73 196 6902	09 73 196 2902	
	94 + 2 [▲]		09 73 196 7952	09 73 196 6952	09 73 196 2952	
	64		09 73 164 7902	09 73 164 6902	09 73 164 2902	
Male connector with solder pins 4.0 mm	96		09 73 196 7903	09 73 196 6903	09 73 196 2903	
	94 + 2 [▲]		09 73 196 7953	09 73 196 6953	09 73 196 2953	
	64		09 73 164 7903	09 73 164 6903	09 73 164 2903	
Male connector with wrap posts 13 mm	96		09 73 196 7907	09 73 196 6907	09 73 196 2907	
	94 + 2 [▲]		09 73 196 7957	09 73 196 6957	09 73 196 2957	
	64		09 73 164 7907	09 73 164 6907	09 73 164 2907	
Male connector with wrap posts 13 mm	96		09 73 132 7902	09 73 132 6902	09 73 132 2902	
	94 + 2 [▲]		09 73 132 7952	09 73 132 6952	09 73 132 2952	
	64		09 73 132 7903	09 73 132 6903	09 73 132 2903	
Male connector with wrap posts 13 mm	96		09 73 132 7903	09 73 132 6903	09 73 132 2903	
	94 + 2 [▲]		09 73 132 7953	09 73 132 6953	09 73 132 2953	
	64		09 73 132 7907	09 73 132 6907	09 73 132 2907	

Male connector with press-in pins

Part Nos. and variants see chapter 04

Dimensions



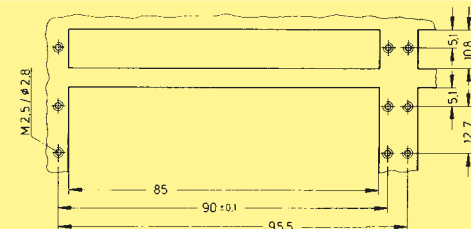
a	b
2.5	∅ 0.7
4	

Solder pins

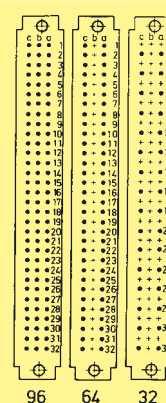
a	b
13	∅ 0.6

Wrap posts

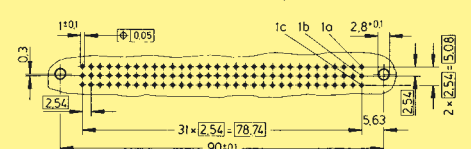
Panel cut out



Contact arrangement View from termination side



Board drillings Mounting side

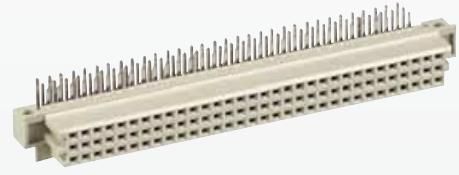


Dimensions in mm

▲ Male connectors with 2 leading contacts [(0.8 mm) pos. a1 and a32]
Other contact arrangements as well with lagging pins on request

Number of contacts

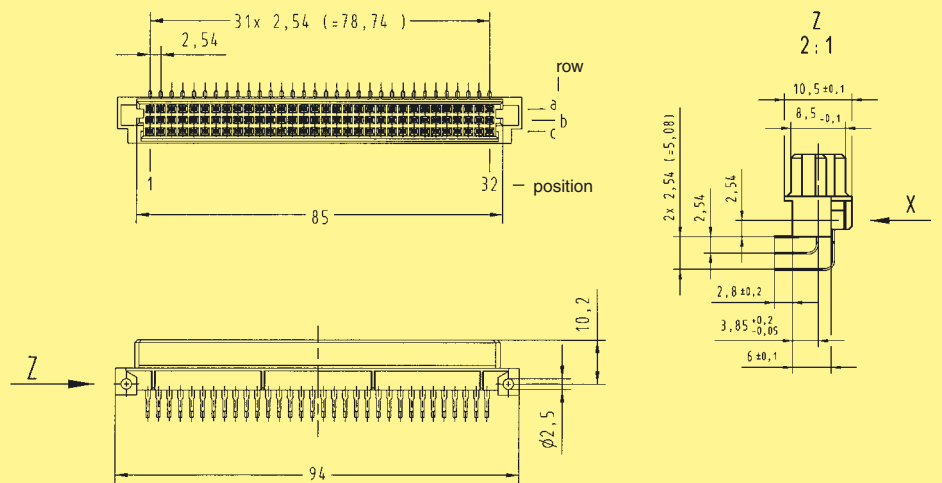
96, 64, 32



Female connectors

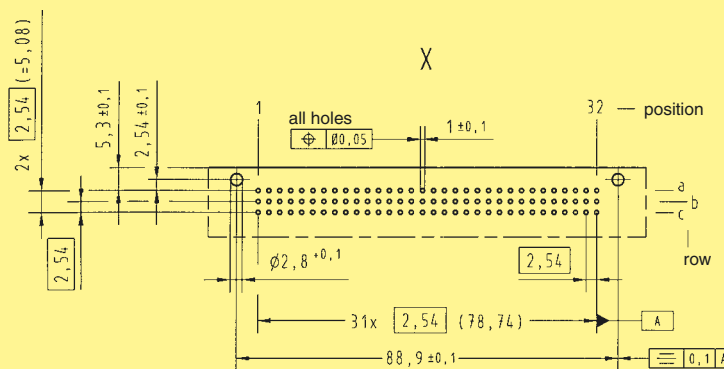
Identification	Number of contacts	Contact arrangement	Part No.			Performance levels according to DIN 41 612. Explanation chapter 00		
			3	2	1	3	2	1
Female connector with angled solder pins	96		09 73 296 7801	09 73 296 6801	09 73 296 2801			
	64		09 73 264 7801	09 73 264 6801	09 73 264 2801			
	32		09 73 232 7801	09 73 232 6801	09 73 232 2801			
	32		09 73 232 7811	09 73 232 6811	09 73 232 2811			

Dimensions



Board drillings

Mounting side

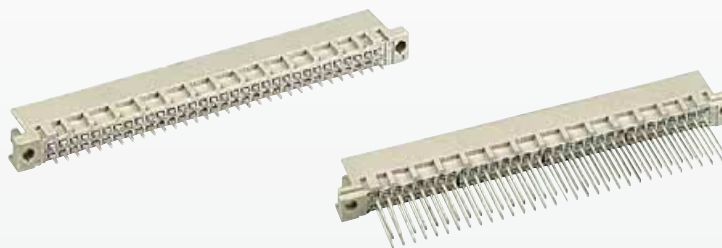


Dimensions in mm

Types signal to 2 A

Number of contacts

64



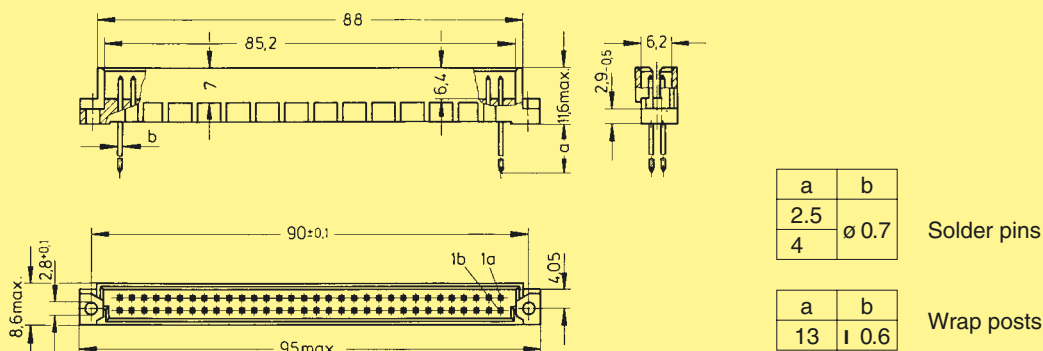
Male connectors

Identification	Number of contacts	Contact arrangement	Part No.	Performance levels according to DIN 41 612. Explanation chapter 00	
				3	2
Male connector with solder pins 2.5 mm	64 62 + 2 ^s		09 72 164 7902 09 72 164 7952	09 72 164 6902 09 72 164 6952	Performance level 1 on request
Male connector with solder pins 4.0 mm	64 62 + 2 ^s		09 72 164 7903 09 72 164 7953	09 72 164 6903 09 72 164 6953	
Male connector with wrap posts 13 mm	64 62 + 2 ^s		09 72 164 7907 09 72 164 7957	09 72 164 6907 09 72 164 6957	

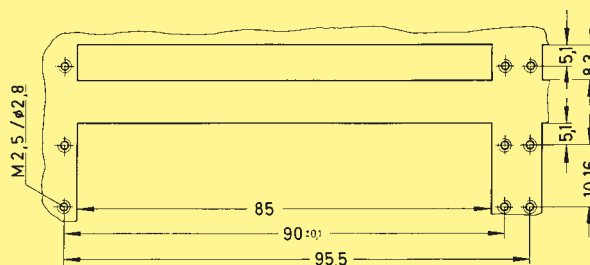
Male connector with press-in pins

Part Nos. and variants see chapter 04

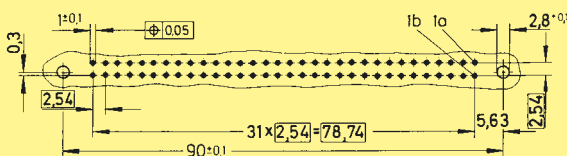
Dimensions



Panel cut out



Board drillings
Mounting side



Dimensions in mm

^s Male connectors with 2 leading contacts [(0.8 mm) pos. a1 and a32]
Other contact arrangements as well with lagging pins on request