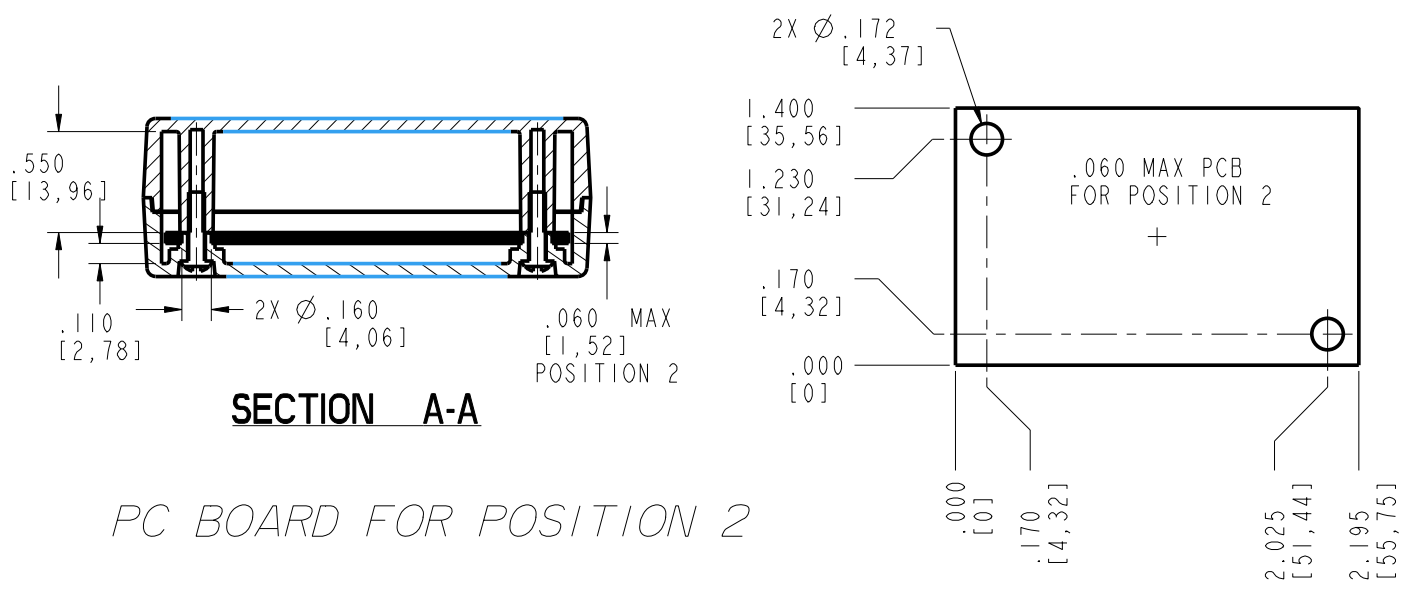
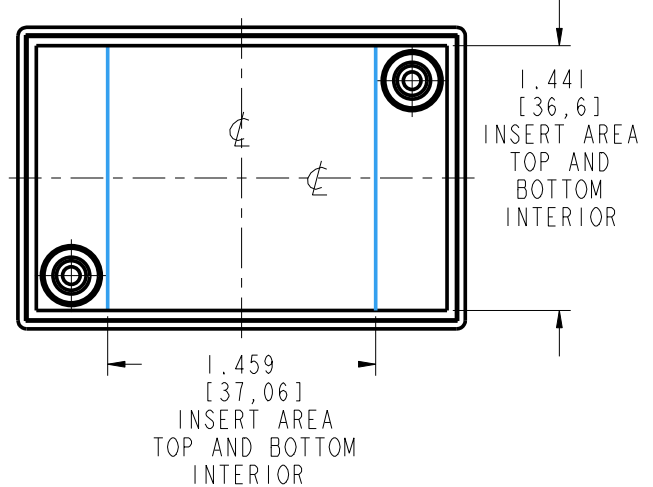
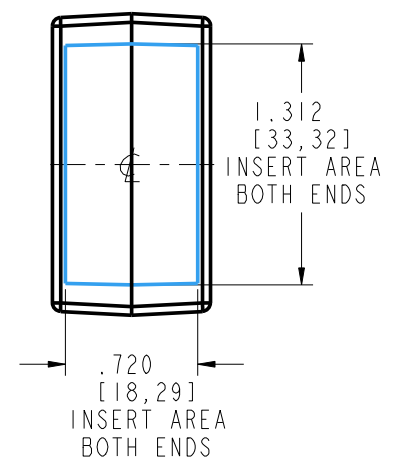
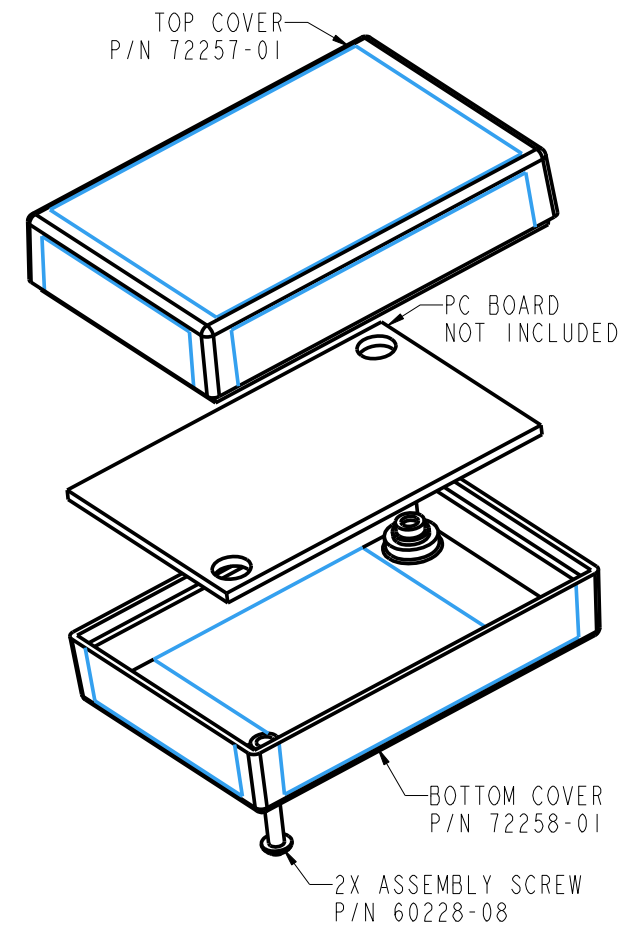


PC BOARD FOR POSITION 1



PC BOARD FOR POSITION 2



PACNTEC[®]
1-610-361-4231

JM12-IE

VISIT **PACNTEC**[®]
ON THE WORLD WIDE WEB
www.pactecenclosures.com

INSERT AREAS ARE SECTIONS IN OUR TOOLS THAT CAN BE REMOVED AND REPLACED WITH CUSTOMER SPECIFIC DETAILS

DRAWING NUMBER	REV
71979	D