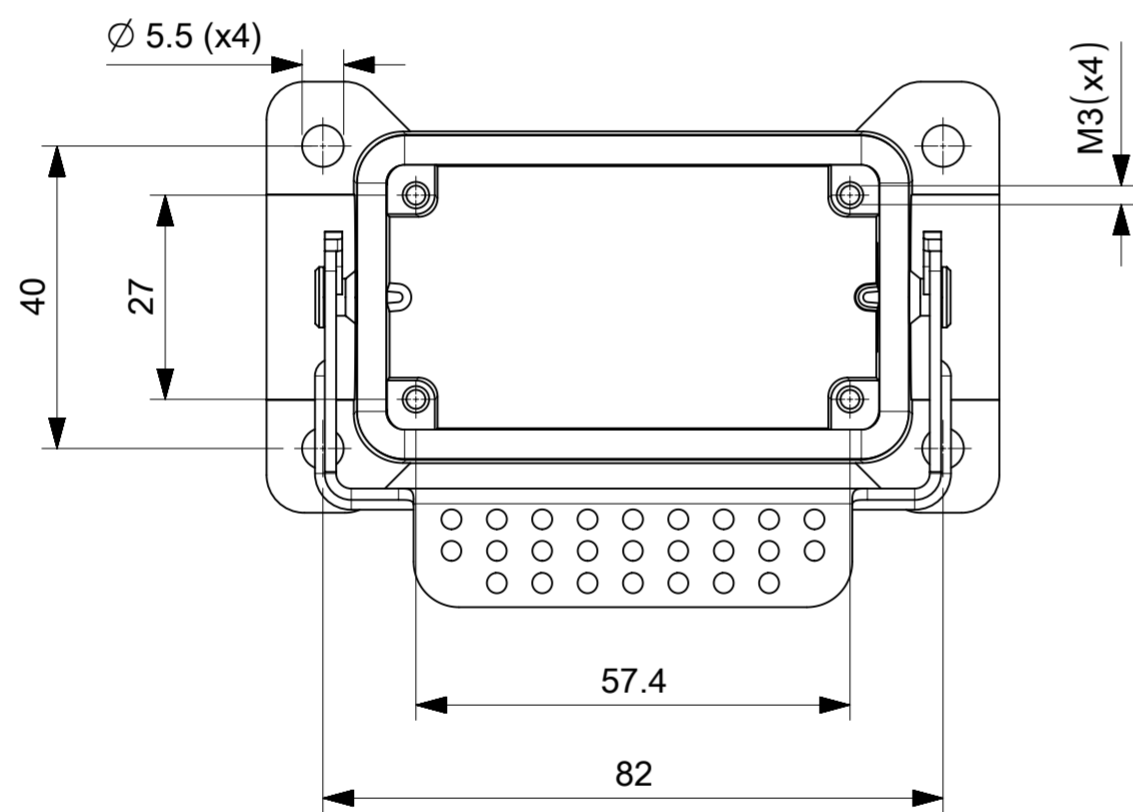
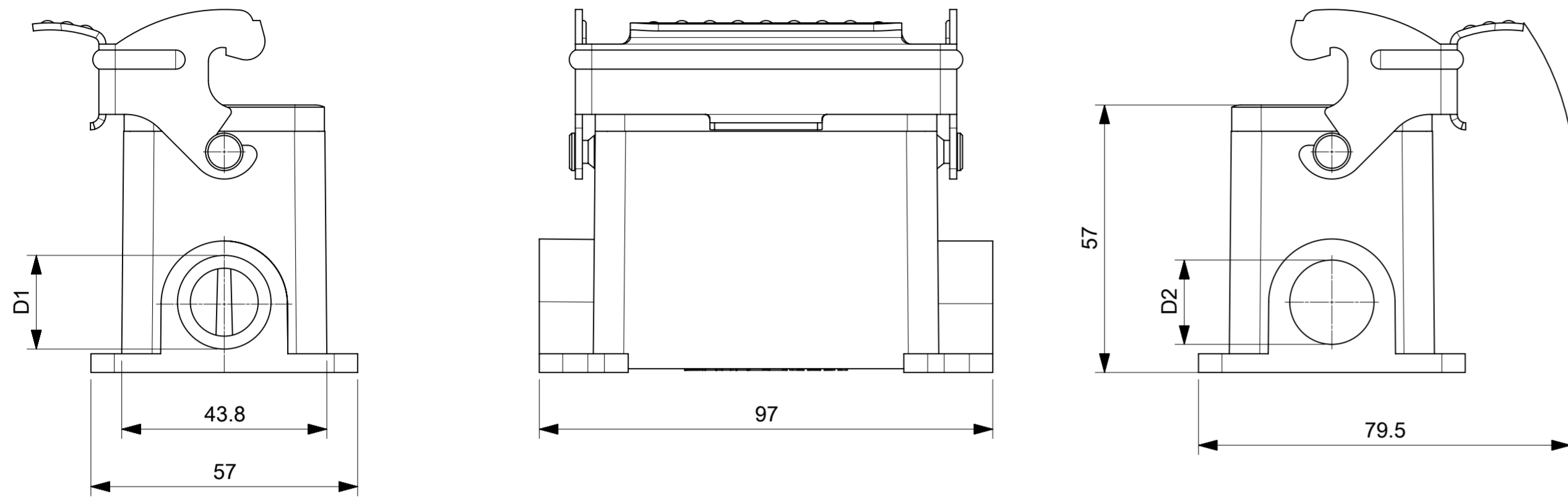
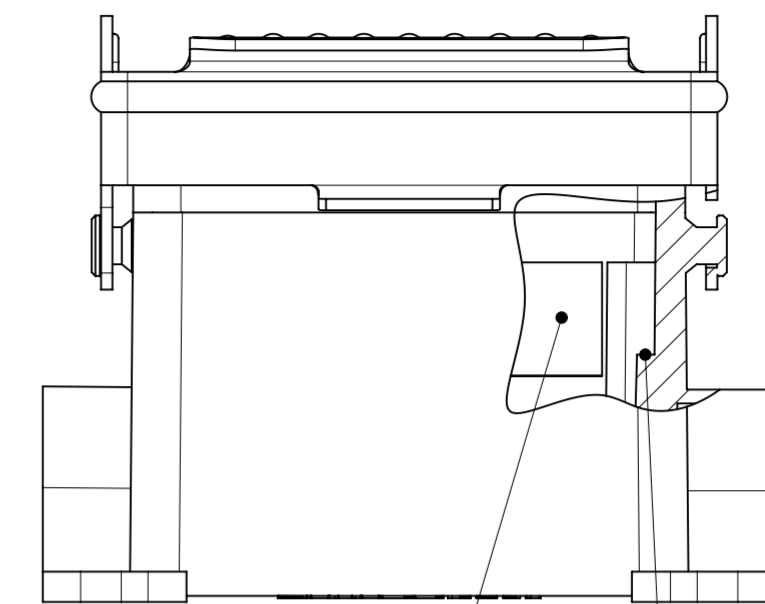


STANDARD VERSION

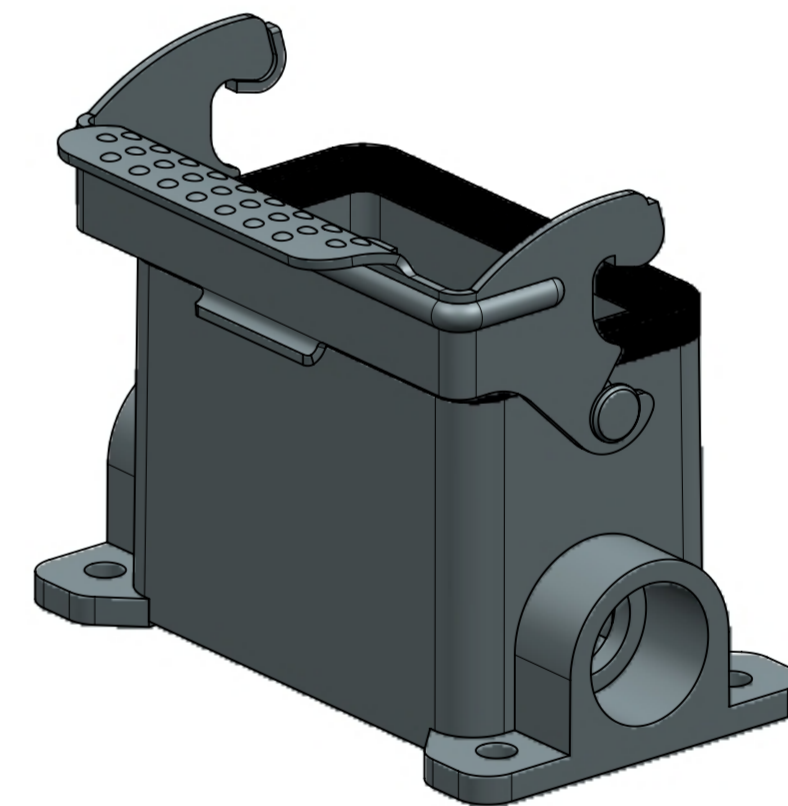


STANDARD HIGH VOLTAGE VERSION



INSULATING ADHESIVE TAPE ON BOTH SIDES

SUITABLE FOR HIGH VOLTAGE INSERTS



SAP .No.	Eng.No.	TYPE	D1	D2
936011547	7810.6353.0	STANDARD	M20	-
936011550	7810.6354.0	STANDARD	M20	M20
936011525	7810.6303.0	STANDARD	Pg16	-
936011528	7810.6304.0	STANDARD	Pg16	Pg16
936011549	7810.6353.2	STANDARD HIGH VOLTAGE	M20	-
936011552	7810.6354.2	STANDARD HIGH VOLTAGE	M20	M20
936011527	7810.6303.2	STANDARD HIGH VOLTAGE	Pg16	-
936011530	7810.6304.2	STANDARD HIGH VOLTAGE	Pg16	Pg16

SYMBOLS		THIS DRAWING CONTAINS INFORMATION THAT IS PROPRIETARY TO MOLEX ELECTRONIC TECHNOLOGIES, LLC AND SHOULD NOT BE USED WITHOUT WRITTEN PERMISSION	
DIMENSION UNITS	SCALE	CURRENT REV DESC:	
$\nabla = 0$	mm	1:1	<p>molex</p> <p>10B STANDARD AND HIGH VOLTAGE SURFACE HOUSING 1 LEVER</p> <p>PRODUCT CUSTOMER DRAWING</p> <p>DOCUMENT NUMBER: 936011547 DOC TYPE: PSD DOC PART: 000 REVISION: A</p> <p>MATERIAL NUMBER: SEE TABLE CUSTOMER: GENERAL MARKET SHEET NUMBER: 1 OF 1</p>
$\nabla = 0$	GENERAL TOLERANCES (UNLESS SPECIFIED)		
$\nabla = 0$	ANGULAR TOL ± °		
$\nabla = 0$	4 PLACES ±	EC NO: 176847	
$\nabla = 0$	3 PLACES ±	DRWN: AKHEMIRI 2018/04/20	
$\nabla = 0$	2 PLACES ±	CHK'D: DMERONI 2018/05/16	
$\nabla = 0$	1 PLACE ±	APPR: AMELZI 2018/05/17	
$\nabla = 0$	0 PLACES ±	INITIAL REVISION:	
$\nabla = 0$	DRAFT WHERE APPLICABLE MUST REMAIN WITHIN DIMENSIONS		
$\nabla = 0$	FIRST ANGLE PROJECTION	DRAWING: A2-SIZE	
	SERIES: 93601		