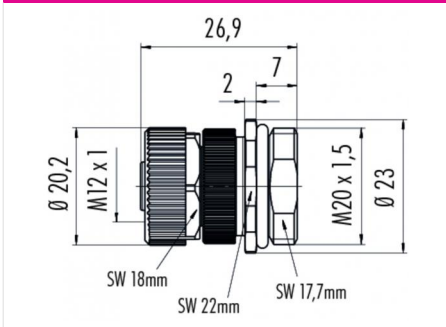


Product description	Contacts: 3+PE, female panel mount connector, power, S-coding, screw terminal connection, fixing thread M20x1.5
Area	M12-S, M12-K Series 814 S-coding
Order number	99 0694 500 04

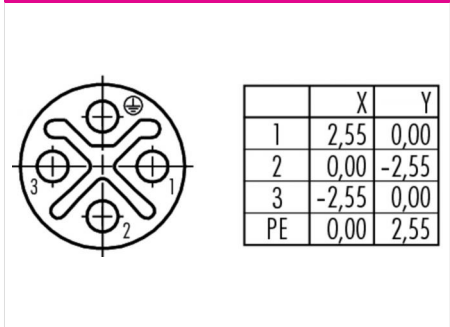
Illustration



Scale drawing



Contact arrangement



You can find the assembly instructions on the next page.

Technical data

General values

Connector design	female panel mount connector
Connector locking system	bolted
Termination	screw clamp
Wire gauge (mm)	1.50 mm ²
Wire gauge (AWG)	16
Upper limit temperature	85 °C
Lower limit temperature	-40 °C
Customs tariff number	85369010

Electrical values

Rated current (40 °C)	12 A
Rated voltage	630 V
Rated impulse voltage	6000 V
Pollution degree	3
Overvoltage category	III
Insulating material group	III
Volume resistivity	≤ 5 mΩ
Degree of protection	IP68
Mechanical operation	> 100 Mating cycles

Cable data

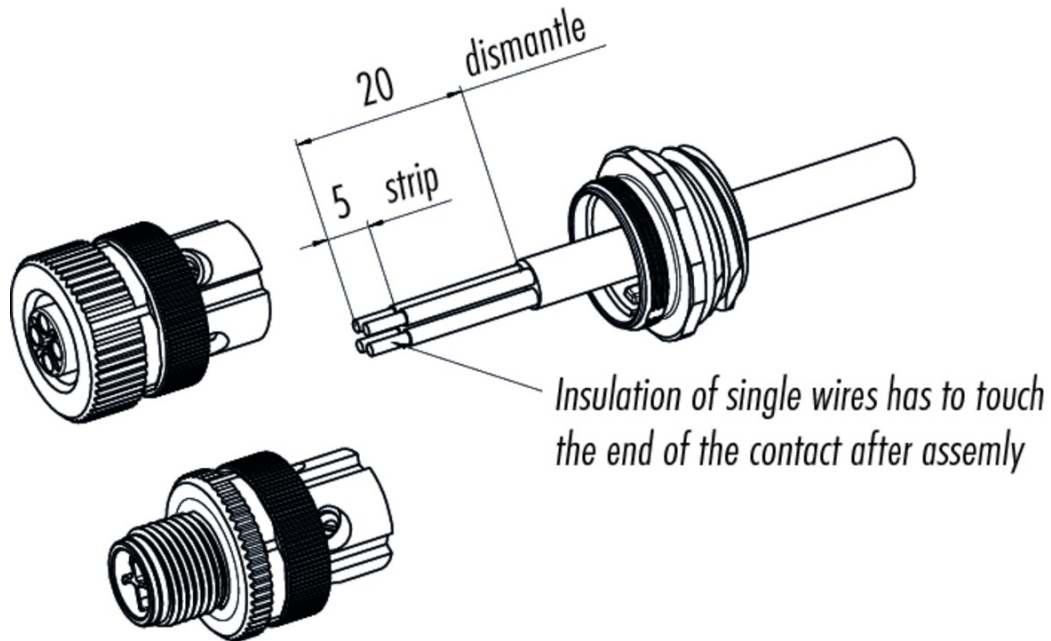
Approval 1	UL
Approval 2	VDE

Material

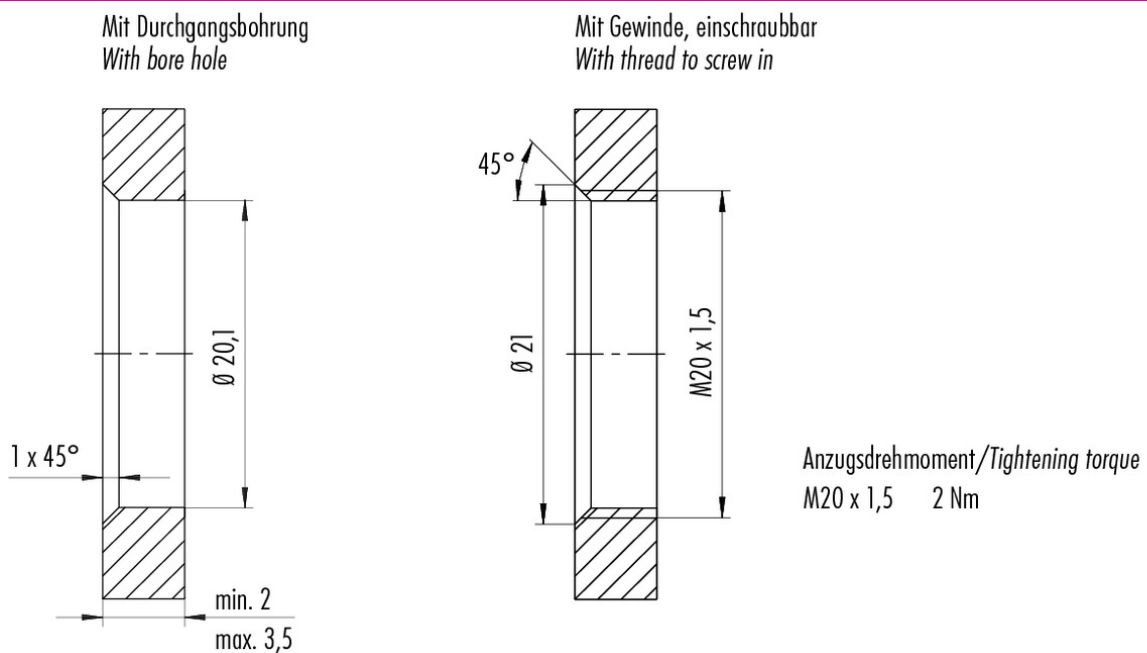
Contact material	CuZn (brass)
Contact plating	Au (gold)
Contact body material	PA
Housing material	PA

Product description	Contacts: 3+PE, female panel mount connector, power, S-coding, screw terminal connection, fixing thread M20x1.5
Area	M12-S, M12-K Series 814 S-coding
Order number	99 0694 500 04

Assembly instructions / Panel cut-out



Assembly instructions / Panel cut-out



Product description	Contacts: 3+PE, female panel mount connector, power, S-coding, screw terminal connection, fixing thread M20x1.5
Area	M12-S, M12-K Series 814 S-coding
Order number	99 0694 500 04

Security notices

The connector must not be connected or separated under load. Non-observance and incorrect use can result in personal injury.

The connectors are designed for use in plant, control system and electrical equipment. The end user is responsible for checking whether the connectors are suitable for use in other applications.

The end user must take suitable safety measures to ensure that the connector cannot be disconnected accidentally. Connectors with degree of protection IP 67 and IP 68 are not suitable for use under water. When used outdoors, the connectors must be separately protected against corrosion. For further information about IP degrees of protection refer to 'Technical support' in the Download Centre.