

GN 125 | Adjustable handles

Steel



- 1
- 2
- 3
- 4
- 5
- 6
- 7
- 8
- 9
- 10
- 11
- 12
- 13
- 14
- 15
- 16
- 17
- 18

LEVER BODY

Black-oxide steel.

HANDLE

Phenolic based (PF) Duroplast, black colour, glossy finish, PLX. (see page 552).

HUB CAP

Anodised aluminium, natural colour.

STANDARD EXECUTIONS

Black-oxide steel clamping element, treated steel return spring.

- **GN 125-D:** straight arm, threaded hole or threaded stud of length as shown in the table.
- **GN 125-E:** 15° inclined arm, threaded hole or threaded stud of length as shown in the table.

FEATURES AND APPLICATIONS

Particularly suitable when the lever turning angle is limited owing to lack of space.

SPECIAL EXECUTIONS ON REQUEST

AISI 303 stainless steel adjustable handles.

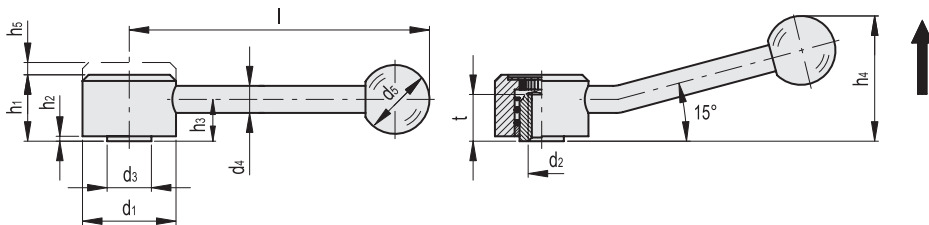
INSTRUCTIONS OF USE

For clamping, lift the lever to disengage the clamping device teeth and bring it back to start position. By releasing the lever, the return spring automatically engages the teeth.



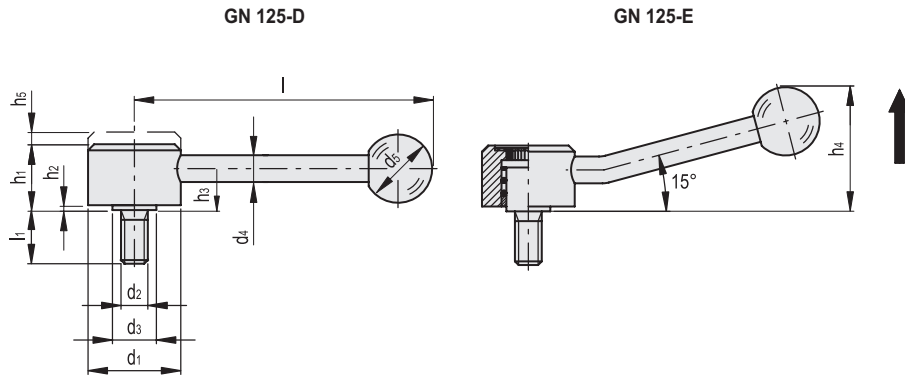
GN 125-D

GN 125-E



Code	Description	d1	d2	d3	d4	d5	h1	h2	h3	h4	h5	l	tmin	△
GN.18301	GN 125-32-M6-D	32	M6	13.5	8	20	20.5	1.5	12.5	-	4	100	11	141
GN.18101	GN 125-32-M6-E	32	M6	13.5	8	20	20.5	1.5	12.5	36	4	100	11	141
GN.18321	GN 125-36-M8-D	36	M8	16	10	25	24.5	2	15	-	4.5	120	14	223
GN.18121	GN 125-36-M8-E	36	M8	16	10	25	24.5	2	15	45	4.5	120	14	223
GN.18341	GN 125-40-M10-D	40	M10	19	12	30	26.5	2	16	-	4.5	130	17	307
GN.18131	GN 125-40-M10-E	40	M10	19	12	30	26.5	2	16	50	4.5	130	17	307
GN.18361	GN 125-45-M12-D	45	M12	23	12	32	31.5	2	20	-	5	145	23	425
GN.18141	GN 125-45-M12-E	45	M12	23	12	32	31.5	2	20	60	5	145	23	425

Clamping levers



Code	Description	d1	d2	d3	d4	d5	h1	h2	h3	h4	h5	l	li	⚖
GN.18401	GN 125-32-M8-16-D	32	M8	13.5	8	20	20.5	1.5	12.5	-	4	100	16	148
GN.18201	GN 125-32-M8-16-E	32	M8	13.5	8	20	20.5	1.5	12.5	36	4	100	16	148
GN.18402	GN 125-32-M8-20-D	32	M8	13.5	8	20	20.5	1.5	12.5	-	4	100	20	149
GN.18202	GN 125-32-M8-20-E	32	M8	13.5	8	20	20.5	1.5	12.5	36	4	100	20	149
GN.18403	GN 125-32-M8-25-D	32	M8	13.5	8	20	20.5	1.5	12.5	-	4	100	25	151
GN.18203	GN 125-32-M8-25-E	32	M8	13.5	8	20	20.5	1.5	12.5	36	4	100	25	151
GN.18404	GN 125-32-M8-32-D	32	M8	13.5	8	20	20.5	1.5	12.5	-	4	100	32	153
GN.18204	GN 125-32-M8-32-E	32	M8	13.5	8	20	20.5	1.5	12.5	36	4	100	32	153
GN.18405	GN 125-32-M8-40-D	32	M8	13.5	8	20	20.5	1.5	12.5	-	4	100	40	156
GN.18205	GN 125-32-M8-40-E	32	M8	13.5	8	20	20.5	1.5	12.5	36	4	100	40	156
GN.18406	GN 125-32-M8-50-D	32	M8	13.5	8	20	20.5	1.5	12.5	-	4	100	50	158
GN.18206	GN 125-32-M8-50-E	32	M8	13.5	8	20	20.5	1.5	12.5	36	4	100	50	158
GN.18407	GN 125-32-M8-63-D	32	M8	13.5	8	20	20.5	1.5	12.5	-	4	100	63	163
GN.18207	GN 125-32-M8-63-E	32	M8	13.5	8	20	20.5	1.5	12.5	36	4	100	63	163
GN.18411	GN 125-36-M10-20-D	36	M10	16	10	25	24.5	2	15	-	4.5	120	20	237
GN.18211	GN 125-36-M10-20-E	36	M10	16	10	25	24.5	2	15	45	4.5	120	20	237
GN.18412	GN 125-36-M10-25-D	36	M10	16	10	25	24.5	2	15	-	4.5	120	25	239
GN.18212	GN 125-36-M10-25-E	36	M10	16	10	25	24.5	2	15	45	4.5	120	25	239
GN.18413	GN 125-36-M10-32-D	36	M10	16	10	25	24.5	2	15	-	4.5	120	32	242
GN.18213	GN 125-36-M10-32-E	36	M10	16	10	25	24.5	2	15	45	4.5	120	32	242
GN.18414	GN 125-36-M10-40-D	36	M10	16	10	25	24.5	2	15	-	4.5	120	40	246
GN.18214	GN 125-36-M10-40-E	36	M10	16	10	25	24.5	2	15	45	4.5	120	40	246
GN.18415	GN 125-36-M10-50-D	36	M10	16	10	25	24.5	2	15	-	4.5	120	50	252
GN.18215	GN 125-36-M10-50-E	36	M10	16	10	25	24.5	2	15	45	4.5	120	50	252
GN.18416	GN 125-36-M10-63-D	36	M10	16	10	25	24.5	2	15	-	4.5	120	63	259
GN.18216	GN 125-36-M10-63-E	36	M10	16	10	25	24.5	2	15	45	4.5	120	63	259
GN.18417	GN 125-36-M10-80-D	36	M10	16	10	25	24.5	2	15	-	4.5	120	80	266
GN.18217	GN 125-36-M10-80-E	36	M10	16	10	25	24.5	2	15	45	4.5	120	80	266
GN.18421	GN 125-40-M12-25-D	40	M12	19	12	30	26.5	2	16	-	4.5	130	25	336
GN.18221	GN 125-40-M12-25-E	40	M12	19	12	30	26.5	2	16	50	4.5	130	25	336
GN.18422	GN 125-40-M12-32-D	40	M12	19	12	30	26.5	2	16	-	4.5	130	32	342
GN.18222	GN 125-40-M12-32-E	40	M12	19	12	30	26.5	2	16	50	4.5	130	32	342
GN.18423	GN 125-40-M12-40-D	40	M12	19	12	30	26.5	2	16	-	4.5	130	40	348
GN.18223	GN 125-40-M12-40-E	40	M12	19	12	30	26.5	2	16	50	4.5	130	40	348
GN.18424	GN 125-40-M12-50-D	40	M12	19	12	30	26.5	2	16	-	4.5	130	50	355
GN.18224	GN 125-40-M12-50-E	40	M12	19	12	30	26.5	2	16	50	4.5	130	50	355
GN.18425	GN 125-40-M12-63-D	40	M12	19	12	30	26.5	2	16	-	4.5	130	63	364
GN.18225	GN 125-40-M12-63-E	40	M12	19	12	30	26.5	2	16	50	4.5	130	63	364
GN.18426	GN 125-40-M12-80-D	40	M12	19	12	30	26.5	2	16	-	4.5	130	80	376
GN.18226	GN 125-40-M12-80-E	40	M12	19	12	30	26.5	2	16	50	4.5	130	80	376
GN.18431	GN 125-45-M16-32-D	45	M16	23	12	32	31.5	2	20	-	5	145	32	488
GN.18231	GN 125-45-M16-32-E	45	M16	23	12	32	31.5	2	20	60	5	145	32	488
GN.18432	GN 125-45-M16-40-D	45	M16	23	12	32	31.5	2	20	-	5	145	40	498
GN.18232	GN 125-45-M16-40-E	45	M16	23	12	32	31.5	2	20	60	5	145	40	498
GN.18433	GN 125-45-M16-50-D	45	M16	23	12	32	31.5	2	20	-	5	145	50	512
GN.18233	GN 125-45-M16-50-E	45	M16	23	12	32	31.5	2	20	60	5	145	50	512
GN.18434	GN 125-45-M16-63-D	45	M16	23	12	32	31.5	2	20	-	5	145	63	529
GN.18234	GN 125-45-M16-63-E	45	M16	23	12	32	31.5	2	20	60	5	145	63	529
GN.18435	GN 125-45-M16-80-D	45	M16	23	12	32	31.5	2	20	-	5	145	80	549
GN.18235	GN 125-45-M16-80-E	45	M16	23	12	32	31.5	2	20	60	5	145	80	549