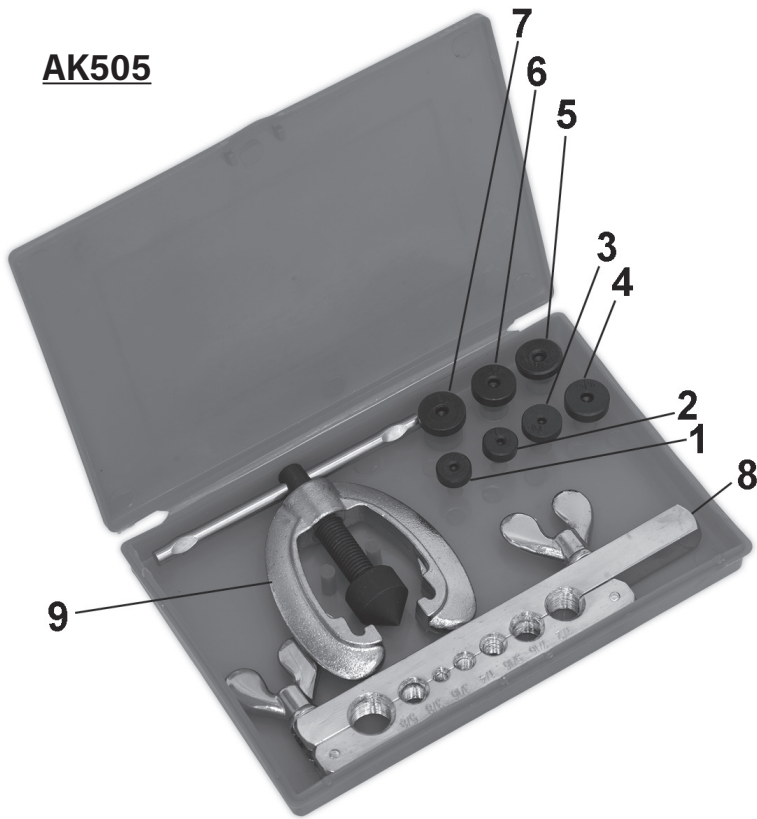
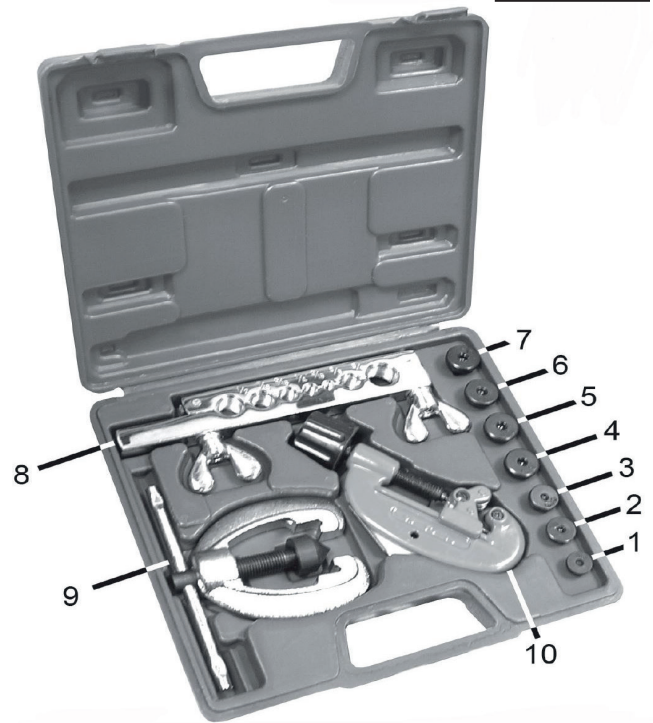


AK505



AK506.V2



| Item | Part No. | Description |
|------|-------------|---------------|
| 1 | AK506.V2-03 | Adaptor 3/16" |
| 2 | AK506.V2-04 | Adaptor 1/4" |
| 3 | AK506.V2-05 | Adaptor 5/16" |
| 4 | AK506.V2-06 | Adaptor 3/8" |
| 5 | AK506.V2-07 | Adaptor 7/16" |

| Item | Part No. | Description |
|------|-------------|-----------------------------|
| 6 | AK506.V2-08 | Adaptor 1/2" |
| 7 | AK506.V2-09 | Adaptor 5/8" |
| 8 | AK506.V2-02 | Retaining Bracket |
| 9 | AK506.V2-10 | Flare Press |
| 10 | AK506.V2-01 | Tube Cutter (AK506.V2 only) |

NOTE: It is our policy to continually improve products and as such we reserve the right to alter data, specifications and component parts without prior notice.

IMPORTANT: No liability is accepted for incorrect use of product. Spare parts must be fitted by a competent person

WARRANTY: Guarantee is 12 months from purchase date, proof of which will be required for any claim.