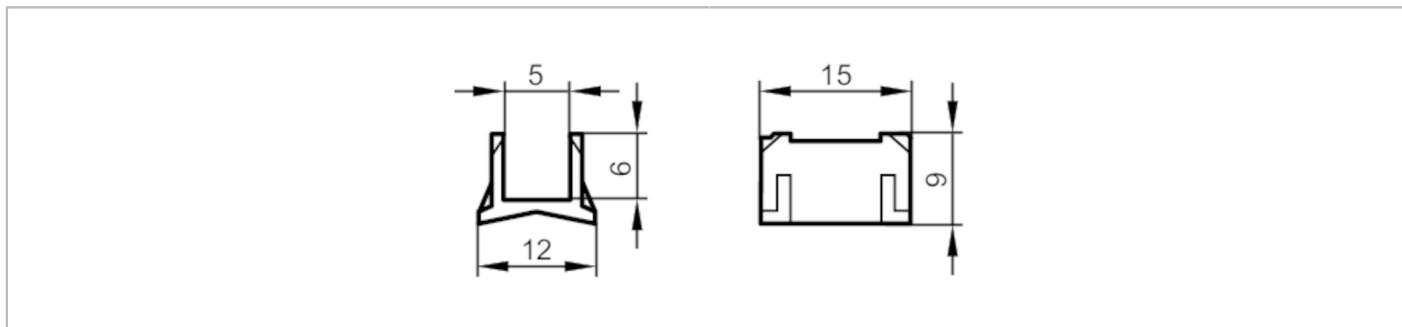


E11846



Mounting adapter for clean-line cylinders

CYLINDER SWITCH STRAP SADDLE



Application	
Design	for types MKT, for types MKT
Mechanical data	
Weight [g]	7.2
Dimensions [mm]	9 x 12 x 15
Materials	PA
Remarks	
Pack quantity	10 pcs.