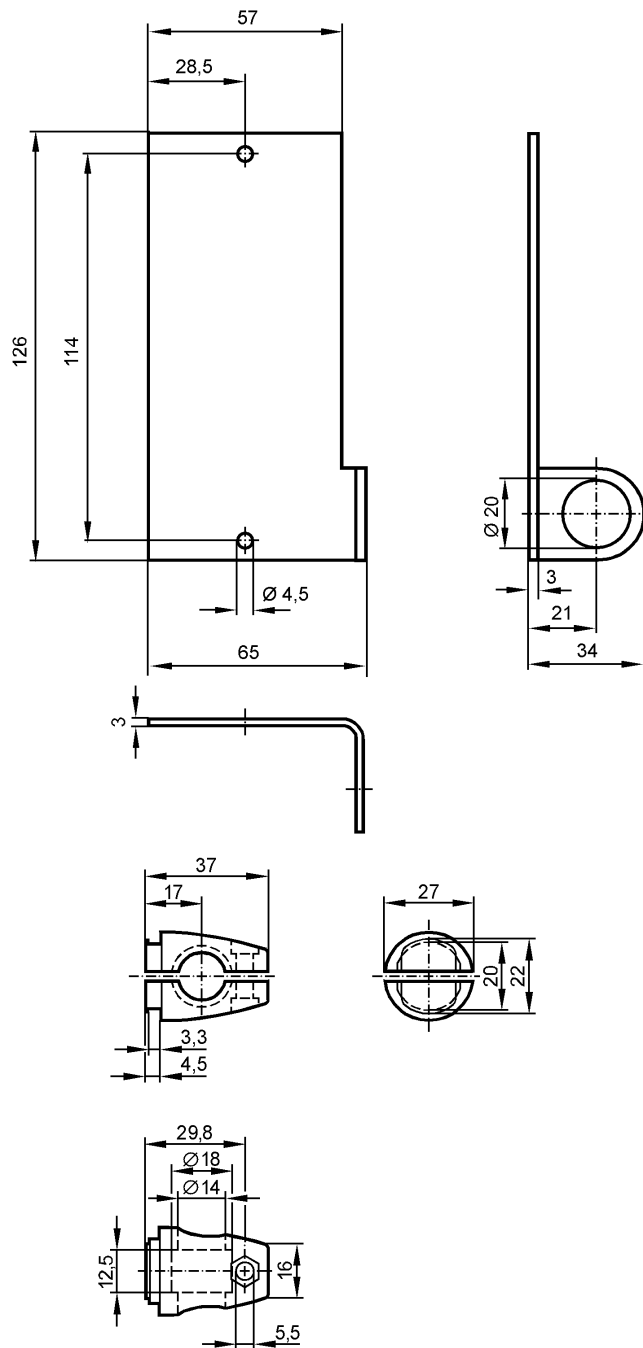


SYSTEM COMPONENT REFL BOLT

Accessories



Product characteristics

Mounting set

Clamp mounting

Mechanical data

Design

for reflector; 126 x 55 mm

Housing materials

fixture: stainless steel 316Ti / 1.4571; clamp: stainless steel (316C)

Type of mounting

free-standing M12

Weight

[kg]

0.437

Accessories

Accessories (included)

screw; M12x120

Remarks

Pack quantity

[piece]

1