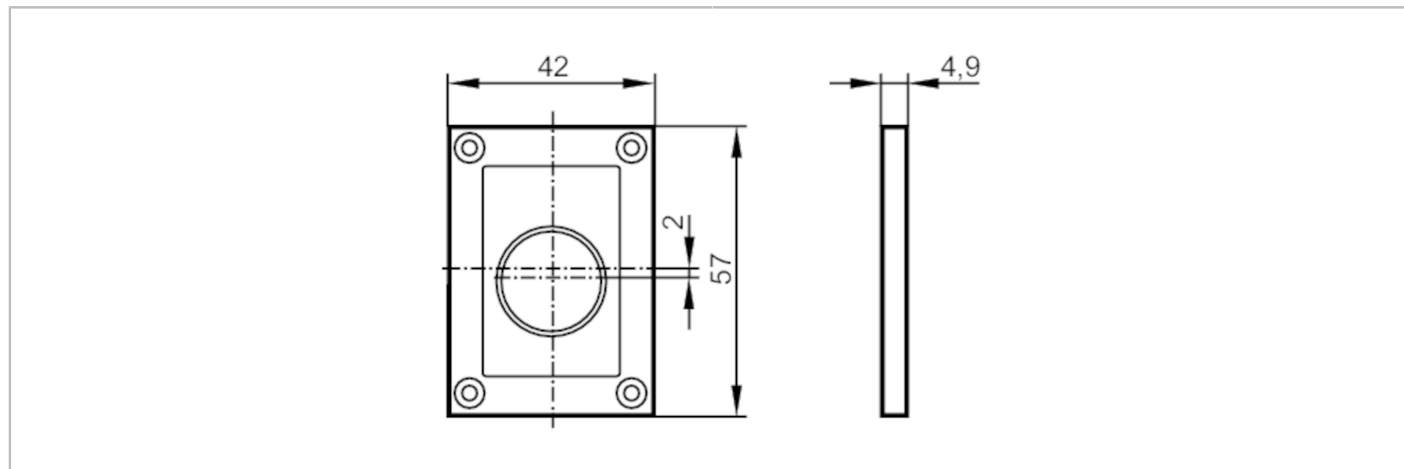


E21168



Protective pane for vision sensors

GLASS PROTECTION WINDOW DUALIS



Mechanical data	
Weight [g]	48.5
Dimensions [mm]	57 x 42 x 4.9
Materials	housing: diecast zinc black; lens: float glass
Remarks	
Pack quantity	1 pcs.