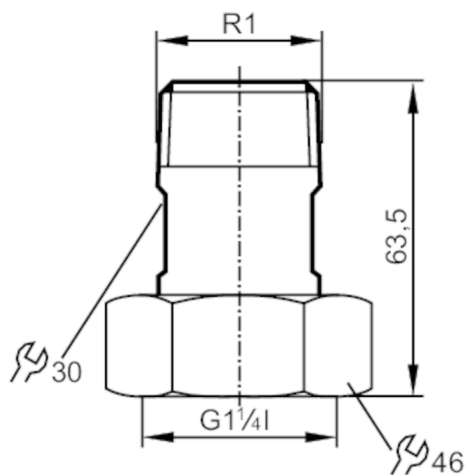


E40205



Mounting adapter for flow sensors

ADAPTER G1-1/4-R1/V4A



Application	
Design	for flow monitors SU9
Mechanical data	
Weight [g]	517
Materials	stainless steel (1.4404 / 316L)
Sensor connection	G 1 1/4
Process connection	R 1
Accessories	
Accessories (supplied)	sealings: 2, Centellen
Remarks	
Pack quantity	2 pcs.