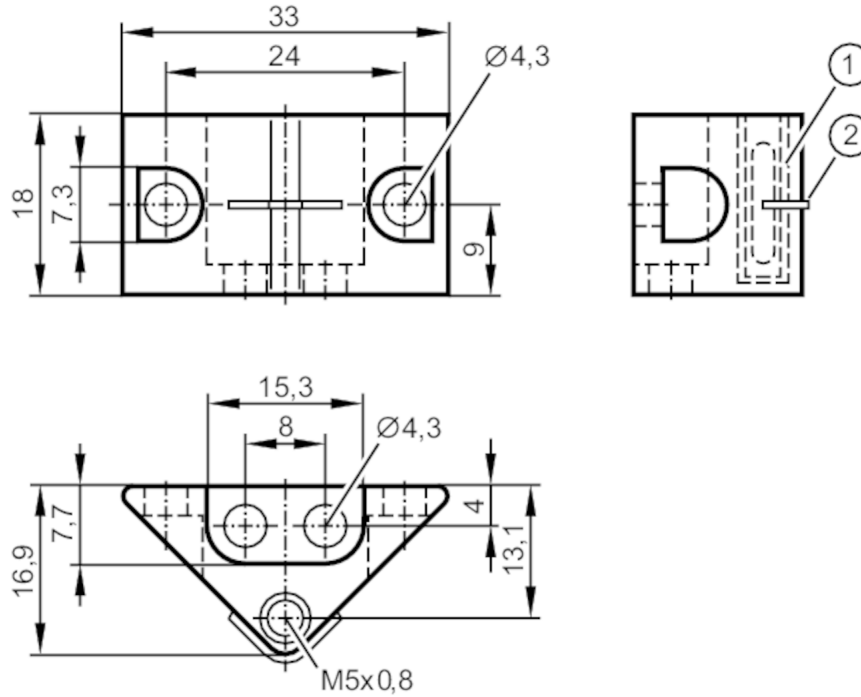


# E80346



## RFID tag

ID-TAG/TRIANGLE HOUSING/05



- 1 ID tag
- 2 tag position mark middle of the antenna

Application		
Application	coding of workpiece carriers in routing conveyors	
Operating temperature (active) [°C]	-25...85	
Peak temperature (passive) [°C]	120; (duration of test: 1 x 100 h)	
Electrical data		
Operating frequency [MHz]	0,125	
Memory size [bit]	2048	
Max. read cycles	unlimited	
Max. write cycles	100000	
Operating conditions		
Ambient temperature [°C]	-25...85	
Storage temperature [°C]	-40...90	
Protection	IP 67	
Tests / approvals		
Shock resistance	DIN IEC 68-2-29	30 g 18 ms
Vibration resistance	DIN IEC 68-2-6	6 g 14...200 Hz
Mechanical data		
Weight [g]	10.1	
Housing	tag fixture for workpiece carriers	
Dimensions [mm]	18 x 33 x 16.9	
Materials	PBT orange; PA black	
Accessories		
Accessories (supplied)	ID tag:, E80345	

# E80346



## RFID tag

ID-TAG/TRIANGLE HOUSING/05

Remarks	
Remarks	peak temperature 1 x 100 h
	Storage temperature 1 x 1000 h
	shock 3 Achsen je 1084 Schocks
	vibration 3 Achsen je 8 h
Pack quantity	1 pcs.