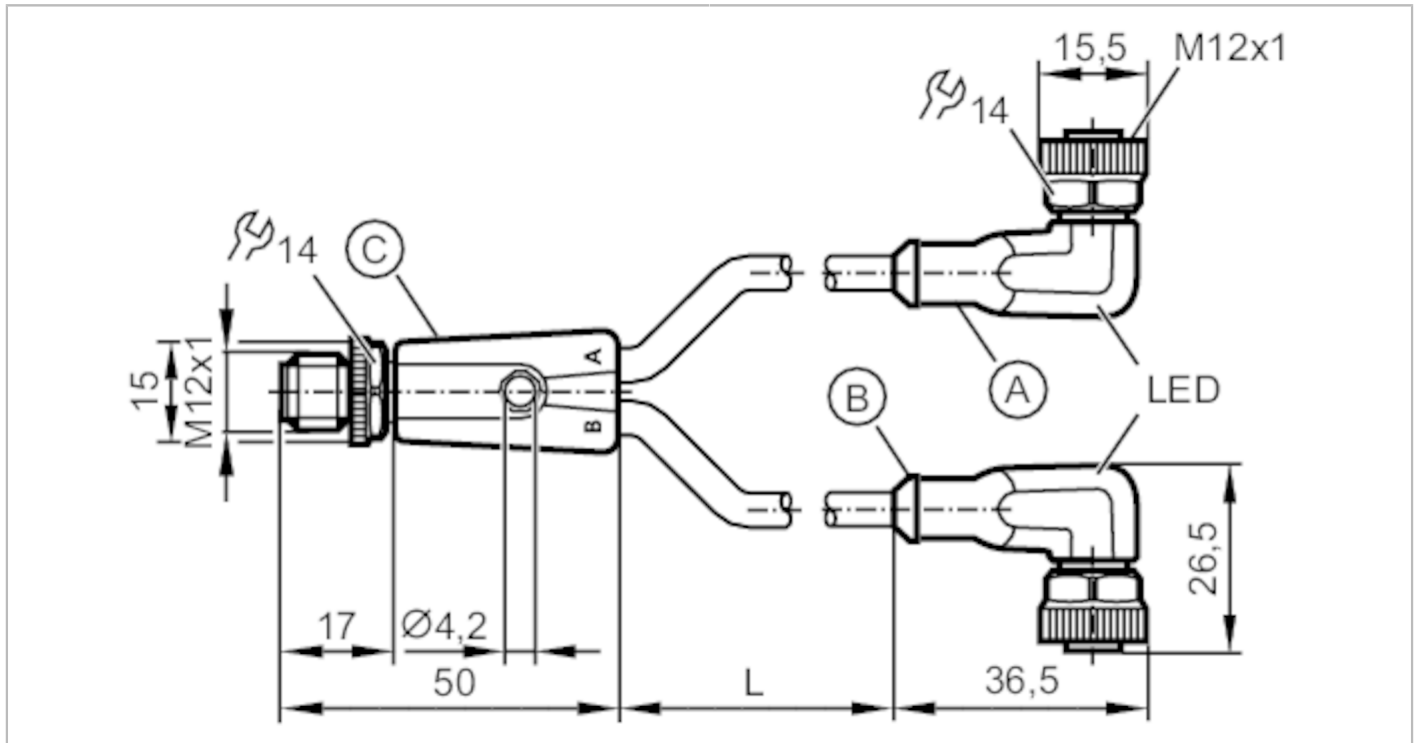


# EVC437



## Y connection cable

YDOAH032MSS0001H03STGH040MSS



| Application                          |  |
|--------------------------------------|--|
| Special feature                      | Free from silicone; Halogen-free; Gold-plated contacts; Drag chain suitability |
| Free from silicone                   | yes  |
| Electrical data                      |  |
| Operating voltage [V]                | 10...36 DC   |
| Protection class                     | II   |
| Max. current load total [A]          | 4  |
| Outputs                              |  |
| Electrical design                    | PNP  |
| Operating conditions                 |  |
| Ambient temperature [°C]             | -25...90   |
| Note on ambient temperature          | cULus: ...75 °C  |
| Ambient temperature (moving) [°C]    | -25...90   |
| Note on ambient temperature (moving) | cULus: ...75 °C  |
| Protection                           | IP 65; IP 67; IP 68; IP 69K  |

# EVC437



## Y connection cable

YDOAH032MSS0001H03STGH040MSS

| Mechanical data              |  |  |
|------------------------------|--|--|
| Weight [g]                   | 103.2  |  |
| Materials                    | connector housing: TPU orange; socket housing: TPU black transparent; Sealing: FKM |  |
| Material nut                 | brass, nickel-plated / brass, nickel-plated  |  |
| Number of ports splitter box | 2  |  |
| Drag chain suitability       | yes  |  |
| Drag chain suitability       | bending radius for flexible use  | min. 10 x cable diameter   |
|                              | travel speed   | max. 3.3 m/s for a horizontal travel length of 5 m and max. acceleration of 5 m/s <sup>2</sup> |
|                              | bending cycles   | > 5 Mio.   |
|                              | torsional strain   | ± 180 °/m  |

| Displays / operating elements |                  |                 |
|-------------------------------|------------------|-----------------|
| Display                       | switching status | 1 x LED, yellow |
|                               | operation        | 1 x LED, green  |

| Remarks       |   |
|---------------|---|
| Notes         | Please see the technical note under "Downloads" |
| Pack quantity | 1 pcs.  |

**Electrical connection**  
Cable: 1 m, PUR, Halogen-free, black, Ø 4.3 mm; 3 x 0.34 mm<sup>2</sup> (42 x Ø 0.1 mm )

**Electrical connection - plug**  
Connector: 1 x M12; Locking: brass, nickel-plated; Contacts: gold-plated; Tightening torque: 0.6...1.5 Nm



# EVC437

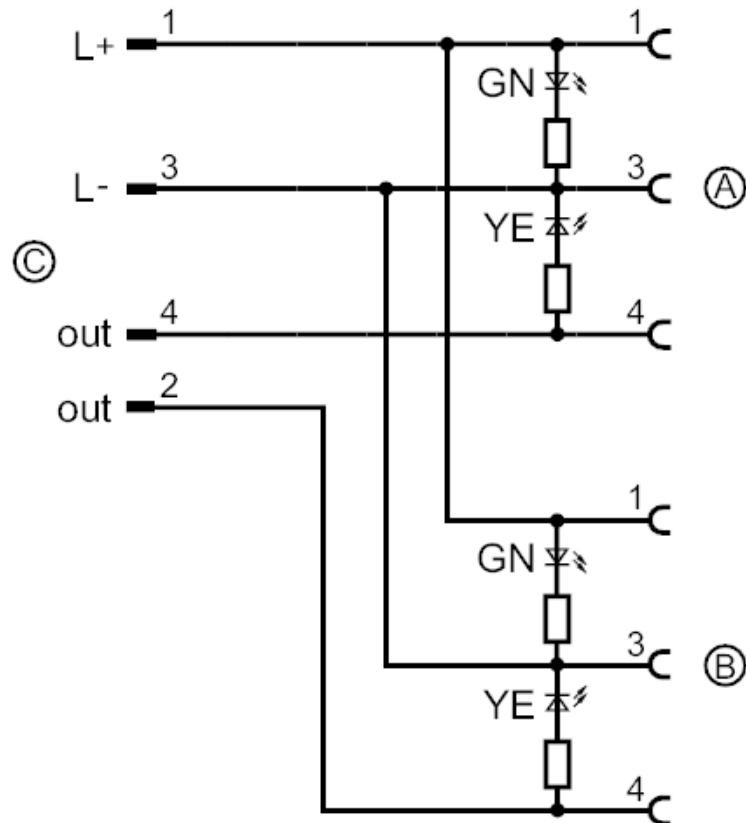


## Y connection cable

YDOAH032MSS0001H03STGH040MSS

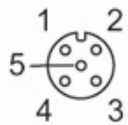
### Electrical connection

#### Connection



### Electrical connection - socket

Connector: 2 x M12; Locking: brass, nickel-plated; Contacts: gold-plated; Tightening torque: 0.6...1.5 Nm

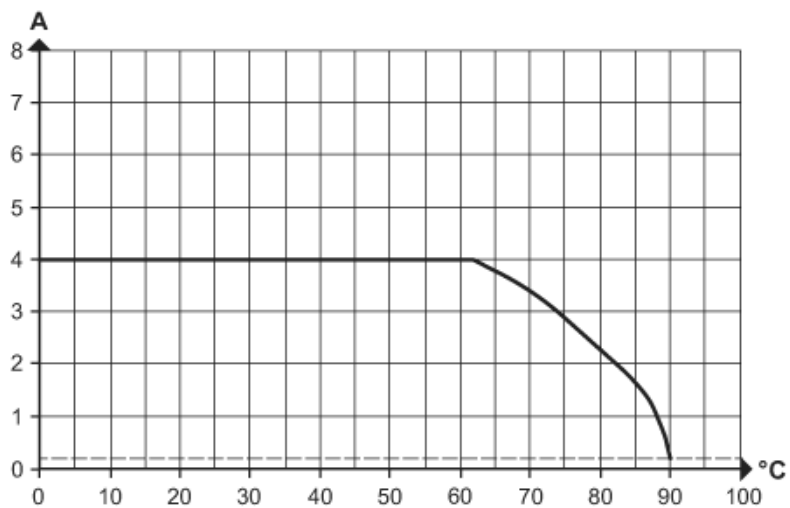




## Y connection cable

YDOAH032MSS0001H03STGH040MSS

### Diagrams and graphs



Derating  $I_{max} * 0.8$  DIN EN 60512-5-2

X Ambient temperature [°C]

Y Current [A]