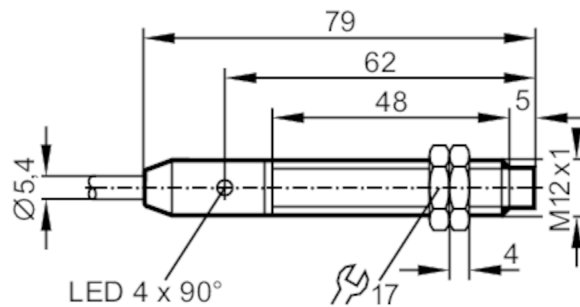


IFM208



Inductive sensor

IFKC007-ASKG/M/6M/ZH



Product characteristics

| | | |
|-------------------|------|------------------|
| Electrical design | | PNP/NPN |
| Output function | | normally open |
| Sensing range | [mm] | 7 |
| Housing | | threaded type |
| Dimensions | [mm] | M12 x 1 / L = 79 |

Application

| | | |
|-----------------|--|--------------------------------------|
| Special feature | | Increased sensing range |
| Application | | Use in mobile and harsh applications |

Electrical data

| | | |
|-----------------------------|------|----------------------------------|
| Operating voltage | [V] | 10...36 DC |
| Current consumption | [mA] | < 10; (only in 3-wire operation) |
| Protection class | | II |
| Reverse polarity protection | | yes |

Outputs

| | | |
|---|------|---------------------------------|
| Electrical design | | PNP/NPN |
| Output function | | normally open |
| Max. voltage drop switching output DC | [V] | 2.5 |
| Minimum load current | [mA] | 2; (only in 2-wire operation) |
| Max. leakage current | [mA] | 0.5; (only in 2-wire operation) |
| Permanent current rating of switching output DC | [mA] | 100 |
| Switching frequency DC | [Hz] | 300 |
| Short-circuit protection | | yes |
| Type of short-circuit protection | | pulsed |
| Overload protection | | yes |

Detection zone

| | | |
|-------------------------|------|----------|
| Sensing range | [mm] | 7 |
| Operating distance | [mm] | 0...5.67 |
| Increased sensing range | | yes |

IFM208



Inductive sensor

IFKC007-ASKG/M/6M/ZH

| Accuracy / deviations | | |
|------------------------------|--|-----------------------------------|
| Correction factor | steel: 1 / stainless steel: 0.7 / brass: 0.5 / aluminium: 0.5 / copper: 0.4 | |
| Hysteresis [% of Sr] | 1...20 | |
| Switch point drift [% of Sr] | -10...10 | |
| Operating conditions | | |
| Ambient temperature [°C] | -40...85 | |
| Protection | IP 67; IP 69K | |
| Tests / approvals | | |
| EMC | automotive area | |
| | noise emission and noise interference according to the automotive directive 95/54/EC | E1 type approval |
| | noise immunity according to DIN ISO 11452-2 | 100 V/m |
| | conducted interference acc. to ISO 7637-2 | |
| | pulse | 1 2 3a 3b 4 5 |
| | severity level | IV IV IV IV IV IV |
| | failure criterion | C C A A A C |
| | EN 61000-4-2 ESD | 4 kV CD / 8 kV AD |
| | EN 61000-4-3 HF radiated | 10 V/m |
| | EN 61000-4-4 Burst | 2 kV |
| | EN 61000-4-5 Surge | 0,5 kV line to line, Ri: 2 Ohm |
| | EN 61000-4-6 HF conducted | 10 V |
| | EN 55011 | class B |
| | EN 60068-2-6 Fc | 20 g (10...3000 Hz) / -20...50 °C |
| Vibration resistance | 50 sweep cycles per frequency; 1 octave per minute in 3 axes | |
| Shock resistance | 100 g 11 ms half-sine; 3 shocks each in every direction of the 3 coordinate axes / -40...85 °C | |
| Continuous shock resistance | 40 g 6 ms; 4000 shocks each in every direction of the 3 coordinate axes / -20...50 °C | |
| Fast temperature change | TA = -40 °C; TB = 85 °C; t1 = 30 min; t2 = < 10 s; 50 cycles | |
| Salt spray test | EN 60068-2-52 Kb severity level 5 (4 test cycles) | |
| MTTF [years] | 694 | |
| UL approval | Ta | 0...40 °C |
| | Enclosure type | Type 1 |
| | voltage supply | Hazardous voltage |
| | File number UL | E174191 |
| Mechanical data | | |
| Weight [g] | 281.5 | |
| Housing | threaded type | |
| Mounting | non-flush mountable | |
| Dimensions [mm] | M12 x 1 / L = 79 | |
| Thread designation | M12 x 1 | |
| Materials | housing: stainless steel; sensing face: PBT; lock nuts: brass | |

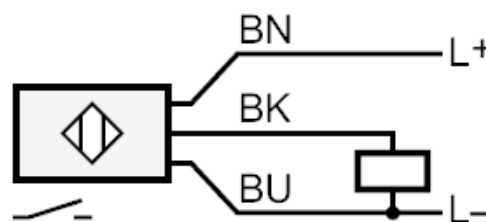
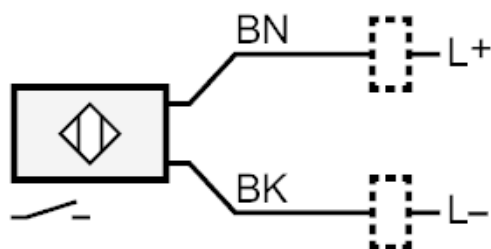
IFM208



Inductive sensor

IFKC007-ASKG/M/6M/ZH

| Displays / operating elements | | |
|--|------------------|---------------------|
| Display | switching status | 4 x 90° LED, yellow |
| Accessories | | |
| Accessories (supplied) | lock nuts: 2 | |
| Remarks | | |
| Pack quantity | 1 pcs. | |
| Electrical connection | | |
| Cable: 6 m, PUR, Ø 5.4 mm; burning behaviour to ECE R118 rev. 2; 3 x 0.5 mm ² | | |
| Connection | | |



Core colours :

- BK = black
- BN = brown
- BU = blue