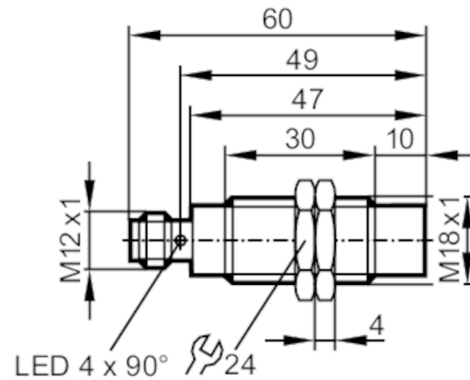


# IG6084



## Inductive analogue sensor

IGK3008A2PKG/US



### Product characteristics

Housing		threaded type
Dimensions	[mm]	M18 x 1 / L = 60

### Electrical data

Operating voltage	[V]	15...30 DC
Current consumption	[mA]	< 20
Protection class		II
Reverse polarity protection		yes

### Outputs

Analogue voltage output	[V]	0...10; (linear; gradient: 1,389 V/mm; for frontal approach and for target made of mild steel: 24 x 24 x 1 mm)
Min. load resistance	[Ω]	2000
Short-circuit protection		yes
Overload protection		yes

### Detection zone

Measuring range	[mm]	0.8...8
-----------------	------	---------

### Accuracy / deviations

Correction factor		steel: 1 / stainless steel: 0.7 / brass: 0.5 / aluminium: 0.4 / copper: 0.3
Linearity error of analogue output	[%]	± 1 %; (of UA max)
Repeatability analogue output	[%]	± 1 %; (of UA max)
Temperature coefficient		± 5 %; (of UA max)

### Response times

Response time	[ms]	< 10
---------------	------	------

### Operating conditions

Ambient temperature	[°C]	-25...80
Protection		IP 67

### Tests / approvals

EMC		EN 60947-5-2
MTTF	[years]	222

# IG6084



## Inductive analogue sensor

IGK3008A2PKG/US

Mechanical data		
Weight	[g]	52
Housing		threaded type
Mounting		non-flush mountable
Dimensions	[mm]	M18 x 1 / L = 60
Thread designation		M18 x 1
Materials		housing: brass white bronze coated; sensing face: PBT
Tightening torque	[Nm]	25
Displays / operating elements		
Display	within the operating range	1 x LED, yellow lights
	outside the operating range	1 x LED, yellow flashing
Accessories		
Accessories (supplied)		lock nuts: 2
Remarks		
Pack quantity		1 pcs.
Electrical connection - plug		

Connector: 1 x M12



## Connection

