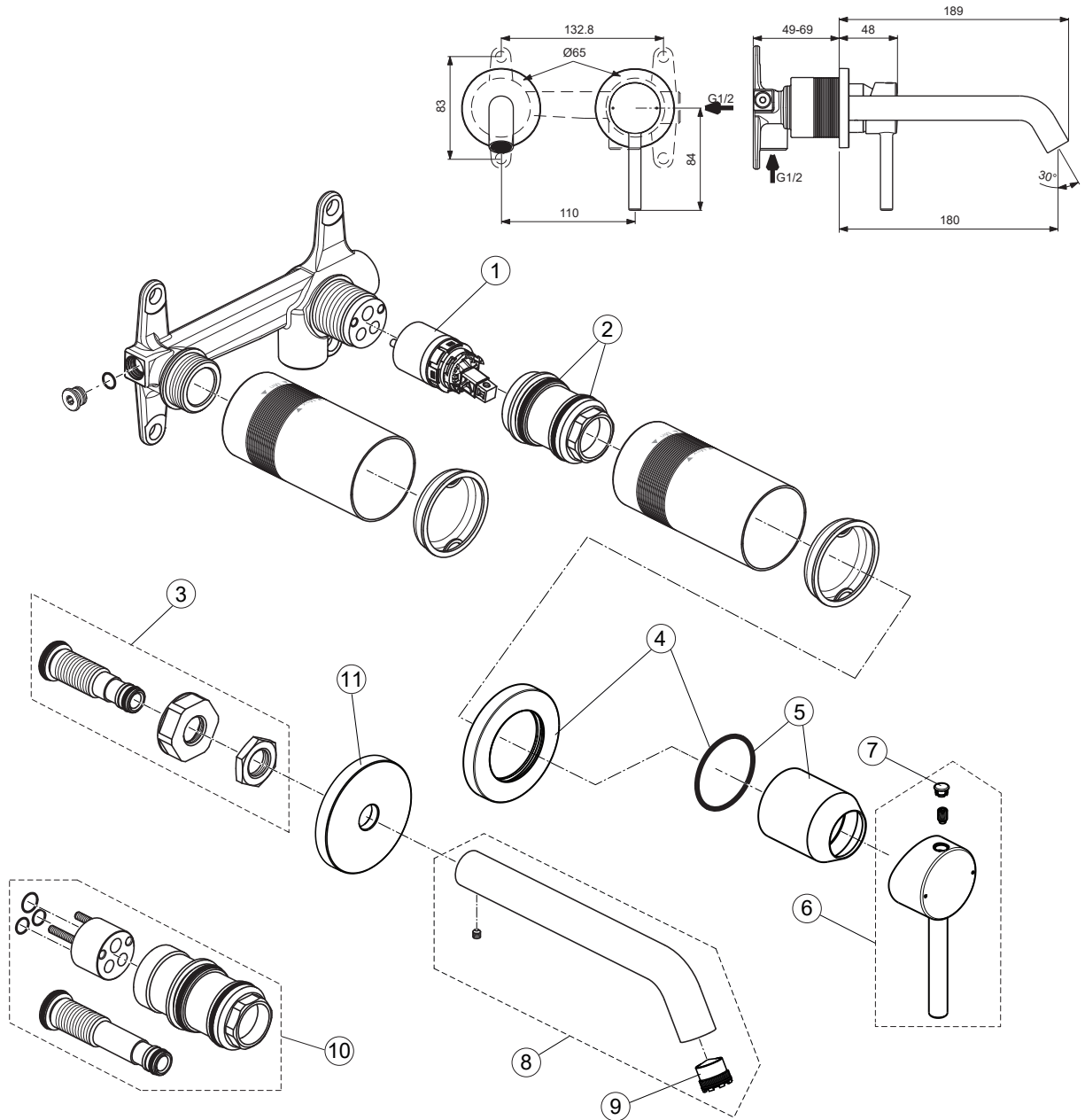




CERALINE

Ideal Standard

A6938XX



For XX=Coverage-Designate:
AA=chrome, XG=silk black

For Instance:
B961706AA for chrome

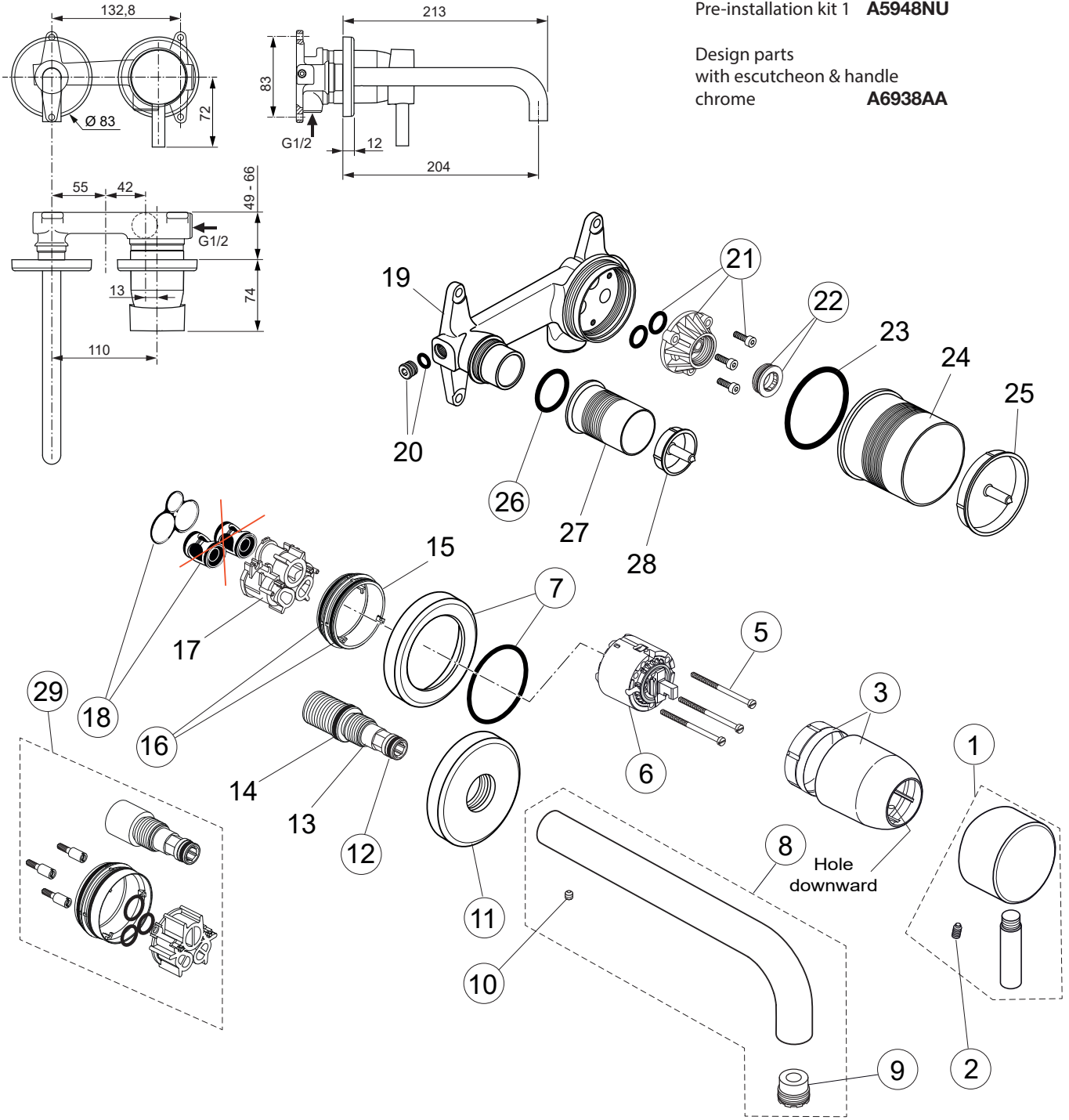
| Pos. | Signify | Spare parts-Nr. | Quantity | Pos. | Signify | Spare parts-Nr. | Quantity |
|------|---------------------------|-----------------|----------|------|---------|-----------------|----------|
| 1 | Cartridge Ø28mm | A861397NU* | 1 Set | | | | |
| 2 | O-Ring Ø32x2 | A961793NU | 2 Pcs. | | | | |
| 3 | Connector nipple-compl. | A861422NU | 1 Set | | | | |
| 4 | Escutcheon with O-Ring | A861433XX | 1 Set | | | | |
| 5 | Cover cap with O-Ring | B961707XX | 1 Set | | | | |
| 6 | Lever, w/logo-set | B961706XX | 1 Set | | | | |
| 7 | Block cap | A961157XX | 1 Pcs. | | | | |
| 8 | Spout-compl. | A861431XX | 1 Set | | | | |
| 9 | Aerator M16.5x1-5 l/min | A962708NU | 1 Pcs. | | | | |
| 10 | Extension kit 20mm longer | A861428NU | 1 Set | | | | |
| 11 | Escutcheon | A861434XX | 1 Pcs. | | | | |

*Universal set (not all parts needed)

Produced from: **May 2018**

Pre-installation kit 1 **A5948NU**

Design parts
with escutcheon & handle
chrome **A6938AA**



| Pos. | Description | Part-Number | Qty. | Pos. | Description | Part-Number | Qty. |
|------|---------------------------|----------------------|-------|------|-----------------------------|---------------------|-------|
| 1 | Lever cpl. with Logo ISI | A 962 397 AA | 1 Set | 17 | Plastic insert | | |
| 2 | Thread pin M5x6 / M4x6 | A 963 667 NU | 1 Set | 18 | Low noise insert complete | A 963 524 NU | 1 Set |
| 3 | Cover cap + clamping ring | A 960 893 AA* | 1 Set | 19 | Body (built-in) | | |
| 5 | Cylindrical screw M4x69 | A 963 783 NU | 3 pcs | 20 | Superior block M10x1 | | |
| 6 | Cartridge | A 960 500 NU* | 1 Set | 21 | Flushing device complete | F 960 881 NU | 1 Set |
| 7 | Escutcheon Ø83mm | | | 22 | Plug with o-ring | A 963 548 NU | 1 pcs |
| 8 | Spout 204mm projection | F 960 966 AA | 1 Set | 23 | O - ring Ø 54 x 2,5 | | |
| | | A 962 274 AA | 1 pcs | 24 | Plaster guard for cartridge | | |
| 9 | Aerator M16,5x1 | B 960 497 NU | 1 Set | 25 | Cover for pos. 24 | | |
| 10 | Thread pin M4x4 DIN916 | A 962 270 NU | 1 pcs | 26 | O - ring Ø 26 x 2,5 | A 860 845 NU | 1 pcs |
| 11 | Escutcheon Ø83mm spout | F 960 967 AA | 1 pcs | 27 | Plaster guard for spout | | |
| 12 | O - ring Ø 10 x 2 | A 963 495 NU | 2 pcs | 28 | Cover for pos. 26 | | |
| 13 | Connector spout | | | 29 | Extension kit 20mm longer | F 960 866 NU | 1 Set |
| 14 | O - ring Ø 19 x 2,5 | | | | | | |
| 15 | Plastic ring | | | | | | |
| 16 | O - ring Ø 47,3 x 1,78 | A 963 526 NU | 2 pcs | | | | |

* Universal-Set (not all parts needed)