

Star Grips • similar to DIN 6336, stainless steel A4

24691.1332



Product Description

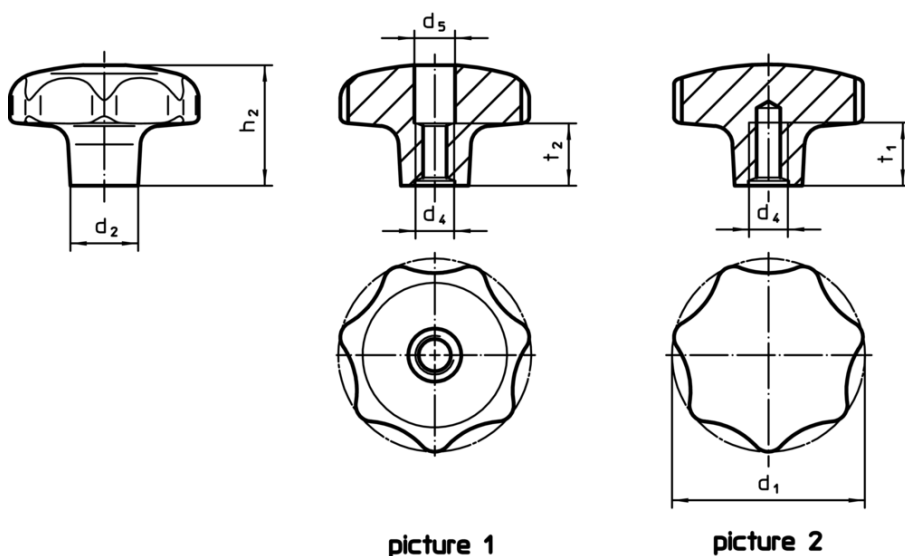
Version without dirt trap. Convenient for all applications having high hygienic requirements (e.g. food industry).
The stainless steel A4 version ensures maximum corrosion resistance.

Material

Handle

- Stainless steel 1.4408, precision casting, polished

Drawing



picture 1

picture 2

Order information

Dimensions							[g]	Art. No.
d ₁	d ₂	d ₄	d ₅	h ₂	t ₂	[mm]		
with thread, drilled-out – picture 1								
32	12	M6	6.4	20	10		57	24691.1332

Compliance

RoHS compliant

Compliant according to Directive 2011/65/EU and Directive 2015/863

Does not contain SVHC substances

No SVHC substances with more than 0.1% w/w contained - SVHC list [REACH] as of 10.06.2022

Does not contain Proposition 65 substances

No Proposition 65 substances included

<https://www.P65Warnings.ca.gov/>

Free from Conflict Minerals

This product does not contain any substances designated as "conflict minerals" such as tantalum, tin, gold or tungsten from the Democratic Republic of Congo or adjacent countries.