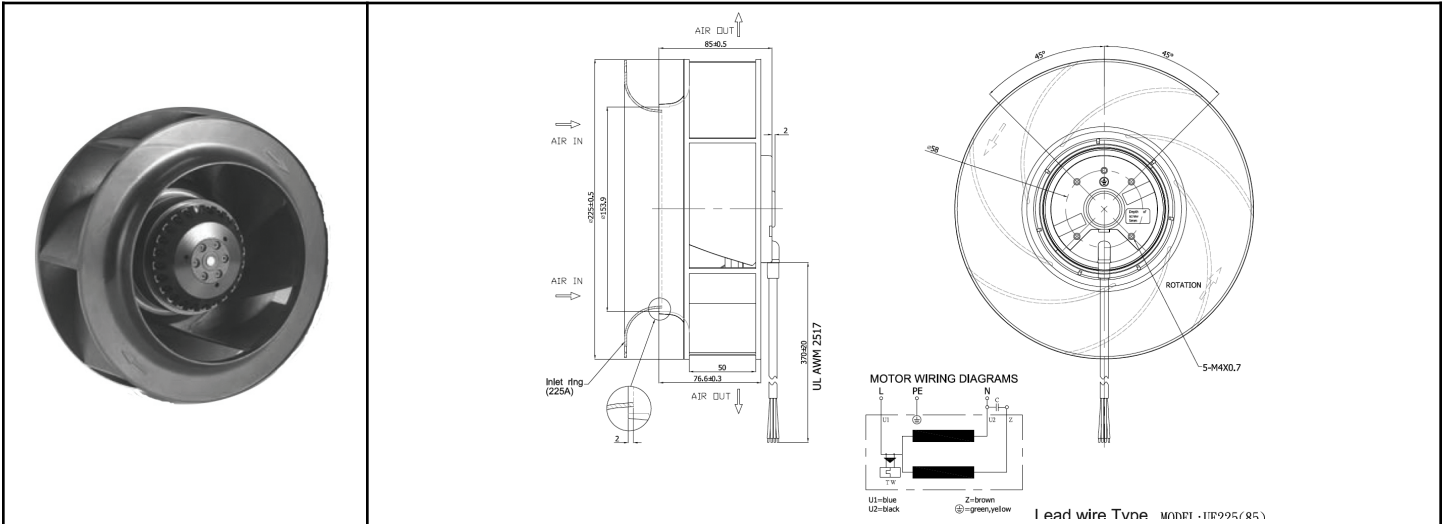


OAB22585 Series



AC Blower, ball bearing
225x85 (8.86"x 3.35")



Backwards Curved Impeller		<u>Insulation Housing:</u> AC1500V / 1 minute <u>Insulation Resistance:</u> > 100 M ohms DC500V <u>Operating Temperature</u> -40 C ~ +60C <u>Life Expectancy</u> 40,000 hours (L10, 40C) Ball bearing IP55 Rated Weight 5.1 lbs. m2	<p>Blue = 60Hz Red = 50Hz</p>
Frame & Impeller	Frame - Diecast aluminum, Impeller - UL94V-O Thermoplastic		
Connection	Lead Wires		
Motor	AC Capacitor drive 12uF/250V (115V) 3uF/450V (230V) (Capacitor Included)		
Bearing System	Dual Ball		

Part Number	OAB22585-11-1WB	OAB22585-22-1WB
Nominal Voltage	115 VAC (50/60 Hz)	230 VAC (50/60 Hz)
Nominal Current (Amps)	1.15 / 1.2	0.57 / 0.60
Locked Current (Amps)	2.22 / 2.30	1.14 / 1.15
Rated Power	115 / 135 W	115 / 135 W
Rated Speed (RPM)	2700 / 3000	2700 / 3000
Airflow (CFM)	618 / 680	618 / 680
Noise Level (dB)	71 / 75	71 / 75
Max. Static Pressure	1.8 / 2.5" H ₂ O	1.8 / 2.5" H ₂ O