



# HF-Performer II for PL-T/C/R/L/TL5C lamps

HF-P 2 13-17 PL-T/C/R EII 220-240V

HF-Performer EII PL-T/C/R/T5c is a sustainable, slim and high-frequency electronic ballast for a wide range of CFL- ni applications. It is ideal for applications where high energy efficiency is required. The HF-Performer EII range has a robust design, meets all relevant international safety and performance standards and is energy-efficient (CELMA EEI A2).

## Product data

### • General Information

Application Code	EII
Type Version	mk4
Lamp Type	PL-T/C/R
Number Of Lamps	2 piece/unit
Number Of Products	28
On MCB (16A Type B) (Nom)	
Automatic Restart	Yes

### • Operating and Electrical

Input Voltage	220 to 240 V
Input Frequency	50/60 Hz
Operating Frequency (Max)	- kHz
Operating Frequency (Min)	42 kHz
Operating Frequency (Nom)	45 kHz
Ignition Method	Warm Start
Crestfactor (Max)	1.7
Power Factor 100% Load (Nom)	0.95
Ignition Time (Max)	0.52 s
Mains Voltage Performance (AC)	-8%/+6%
Mains Voltage Safety (AC)	-10%/+10%
Earth Leakage Current (Nom)	0.5 mA
Inrush Current Width	0.25 ms
Constant Wattage Deviation	-2%/+2%
Ballast Factor (Nom)	1
Power Losses (Nom)	2.63-3.26 W

Inrush Current Peak (Max)	18 A
---------------------------	------

### • Wiring

Connector Type	Insert
Input Terminals	
Cable Capacity	50 pF
Output Wires Mutual (Nom)	
Connector Type	Insert
Output Terminals	
Cable Length Hot Wiring	0.50 m
Wire Striplength	7.5-8.5 mm
Dual Fixture Master/Slave	Not applicable [ Master/Slave oper. not applicable]
Input Terminal Cross Section	0.50-1.50 mm <sup>2</sup>
Output Terminal Cross Section	0.50-1.50 mm <sup>2</sup>
Cable Capacity	50 pF
Output Wires To Earth (Nom)	

### • System characteristics

Rated Ballast-Lamp Power	13-17 W
Rated Lamp Power On PL-T/C	13/17 W

### • Temperature

T-Ambient (Max)	50 °C
T-Ambient (Min)	-25 °C
T-Storage (Max)	80 °C

**PHILIPS**

# HF-Performer II for PL-T/C/R/L/TL5C lamps

T-Storage (Min)	-40 °C
T-Case Lifetime (Nom)	75 °C
T-Case Maximum (Max)	75 °C
T-Ignition (Max)	50 °C
T-Ignition (Min)	-25 °C

Harmonic Current Emission Standard	IEC 61000-3-2
Emc Immunity Standard	IEC 61547
Vibration Standard	IEC 68-2-6 Fc
Bumps Standard	IEC 68-2-29 Eb
Humidity Standard	EN 61347-2-3 clause 11
Temperature Marking	Yes
Emergency Standard	IEC 60598-2-22
Hum And Noise Level	Inaudible

## • Emergency Operation

Battery Voltage Lamp Ignition	198-254 V
Battery Voltage Lamp Operation	176-254

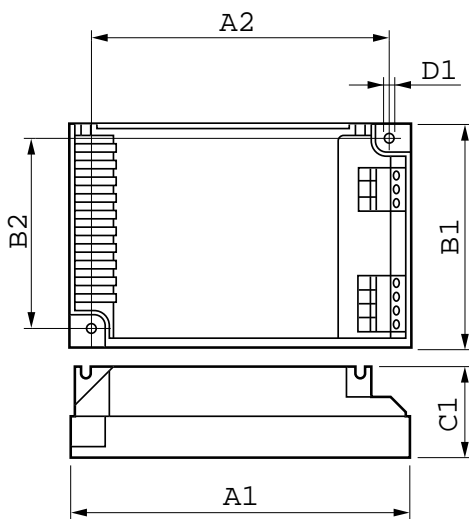
## • Approval and Application

Energy Efficiency Index	A2
EMI 9 kHz ... 30 MHz	EN55015
EMI 30 MHz ... 1000MHz	Level = Class
Safety Standard	IEC 61347-2-3
Performance Standard	IEC 60929
Quality Standard	ISO 9000:2000
Environmental Standard	ISO 14001

## • Product Data

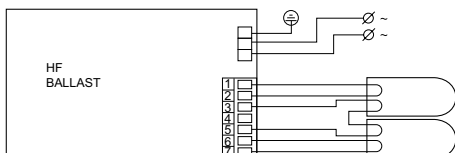
Full product code	871150091409530
Order product name	HF-P 2 13-17 PL-T/C/R EII 220-240V
EAN/UPC - Product	8711500914095
Order code	913700631266
Numerator - Quantity Per Pack	1
Numerator - Packs per outer box	12
Material Nr. (12NC)	913700631266
Net Weight (Piece)	0.150 kg

## Dimensional drawing



## HF-P 2 13-17 PL-T/C/R EII 220-240V

Product	D1	C1	A1	A2	B1	B2
HF-P 2 13-17 PL-T/C/R EII 220-240V	4.5 mm	30.0 mm	103.0 mm	93.5 mm	67.0 mm	57.5 mm





© 2015 Koninklijke Philips N.V. (Royal Philips)  
All rights reserved.

Specifications are subject to change without notice. Trademarks are the property of Koninklijke Philips N.V. (Royal Philips) or their respective owners.

[www.philips.com/lighting](http://www.philips.com/lighting)

2015, December 22  
data subject to change