

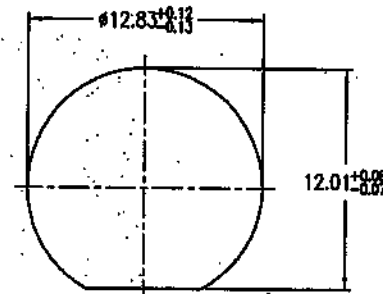
NOTES:

1. MATERIALS AND FINISHES:
 BODY - BRASS, NICKEL PLATING
 CONTACT - BERYLLIUM COPPER, GOLD PLATING
 INSULATOR - NORYL
2. ELECTRICAL:
 A. IMPEDANCE: 50 OHM
 B. FREQUENCY RANGE: DC 0-4 GHz
 C. DIELECTRIC WITHSTANDING VOLTAGE: 1500 VRMS, MIN.
3. MECHANICAL:
 A. DURABILITY: 500 CYCLES MIN.
 B. TEMPERATURE RANGE: - 65°C to +165°C
4. MAX. PANEL THICKNESS=4.83mm

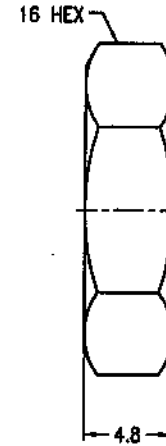
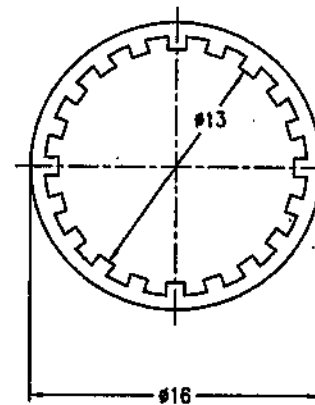
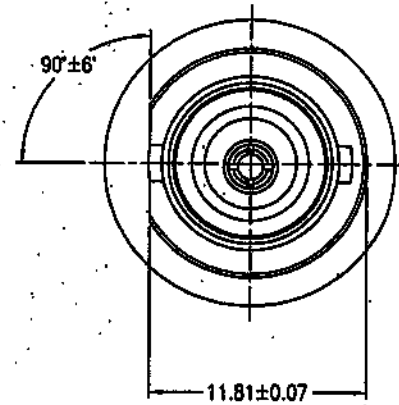
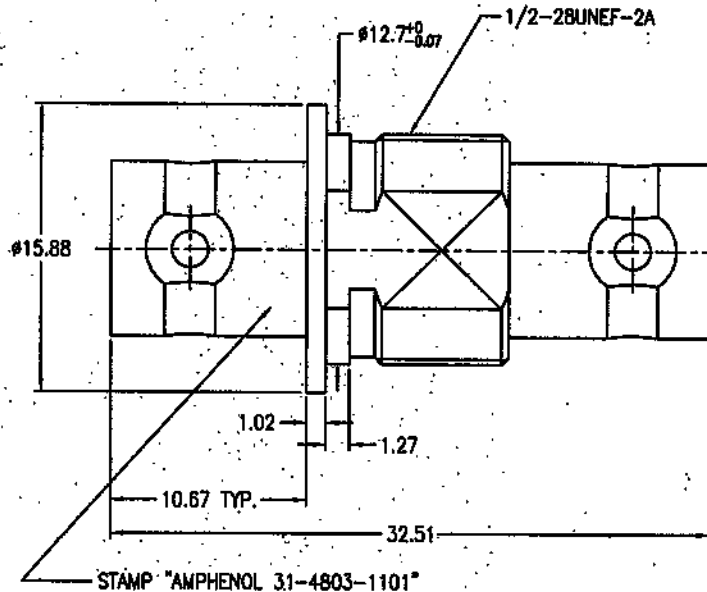
THIRD ANGLE PROJ.

REVISIONS

REV	DESCRIPTION	DATE	ECO	APPR
A3	SEE SHEET 1	05-Apr-03	--	TOM
C	REDRAWN TO UPDATE FORMAT	23-Dec-08	47239	



RECOMMENDED MOUNTING HOLE



CUSTOMER OUTLINE DRAWING

ALL OTHER SHEETS ARE FOR INTERNAL USE ONLY

UNLESS OTHERWISE SPECIFIED, DIMENSIONS ARE IN METRIC AND TOLERANCES ARE:
 0.5 - 6mm ±0.1mm 6 - 30mm ±0.2mm 30 - 120mm ±0.3mm ANGLES ±1°

NOTICE - These drawings, specifications, or other data (1) are, and remain the property of Amphenol Corp. (2) must be returned upon request; and (3) are confidential and not to be disclosed to any person other than those to whom they are given by Amphenol Corp. The furnishing of these drawings, specifications, or other data by Amphenol Corp., or to any other person in any manner for any purpose is not to be regarded by implication or otherwise in any manner licensing, granting rights or permitting such holder or any other person to manufacture, use or sell any product, process or design, patented or otherwise, that may in any way be related to or disclosed by said drawings, specifications, or other data.

MATERIAL	DRAWN NANCY		DATE 05-Apr-03		TITLE BNC JACK TO JACK BULKHEAD ISOLATED ADAPTOR		Amphenol RF	
	REFERENCE	ENGINEER NANCY		DATE 05-Apr-03			Danbury CT USA, Tainan Taiwan, Shenzhen China www.amphenolrf.com	
FINISH		APPROVED TOM		DATE 05-Apr-03		SCALE: 2.5/1		SHEET 2 OF 2
	CAD FILE F:\DWG\CNPD\31\4803-1101-CSZ		DWG SIZE B		CODE ID 74868		REV C	
								ITEM NO. 31-4803-1101
								PART NO. 31-4803-1101