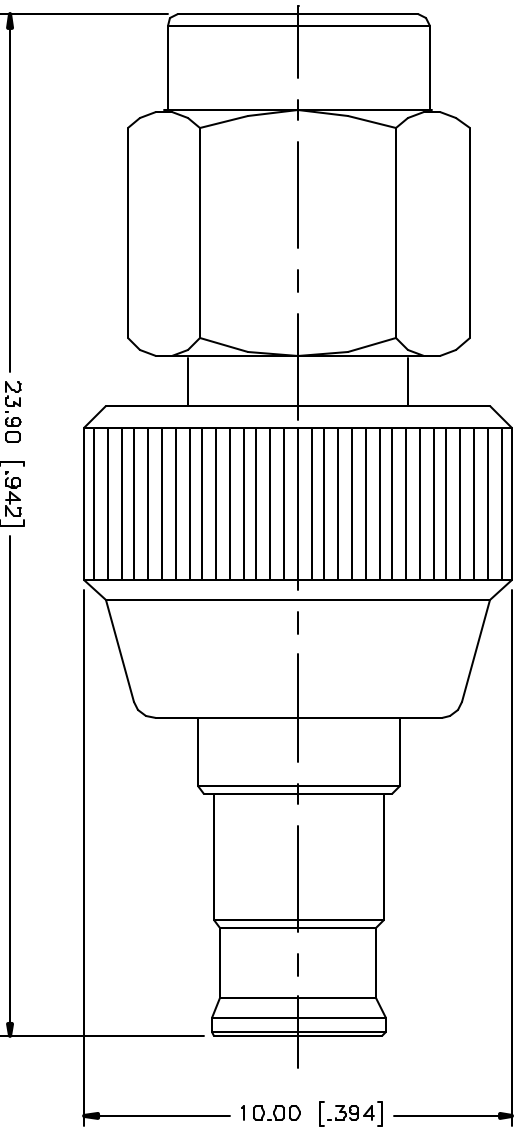


REV.	DATE	DESCRIPTION
A	03/27/05	UPDATE DRAWING FORMAT



NO.	DESCRIPTION	MATERIAL	FINISH	QTY	UNLESS OTHERWISE SPECIFIED DIMENSIONS ARE IN MILLIMETERS (DIMENSIONS IN [ ] ARE IN INCHES AND FOR OVERSIZE FITS/SHAKE ONLY. DIMENSIONS FOR MILLIMETERS ARE:	APPROVALS	DATE	PART DESCRIPTION			
1	INSULATOR BODY	BRASS	GILD	1	UNLESS OTHERWISE SPECIFIED DIMENSIONS FOR MILLIMETERS ARE: 0.5 - Bore ± 0.20mm 3.0 - 3.0mm ± 0.40mm 3.0 - 12.0mm ± 0.40mm	DRAWN G.R.S.	03/27/05	<b>Amphenol Connex</b> PART DESCRIPTION SMA MALE TO MGX MALE ADAPTER PART NO. 242128			
2	INSULATOR	TEFLON	NATURAL	1	UNLESS OTHERWISE SPECIFIED DIMENSIONS FOR MILLIMETERS ARE: .020 - .315 ± 0.007 .315 - 1.180 ± 0.015 1.180 - 4.724 ± 0.020	CHECKED					
3	CONTACT PIN	BER. COPPER	GOLD	1		ISSUED					
4						SHEET 1 OF 1					
DESCRIPTION						CAD FILE C:/242/242128.DWG		DWG. NO. 242128.DWG	REV. A	SIZE A	SCALE NA