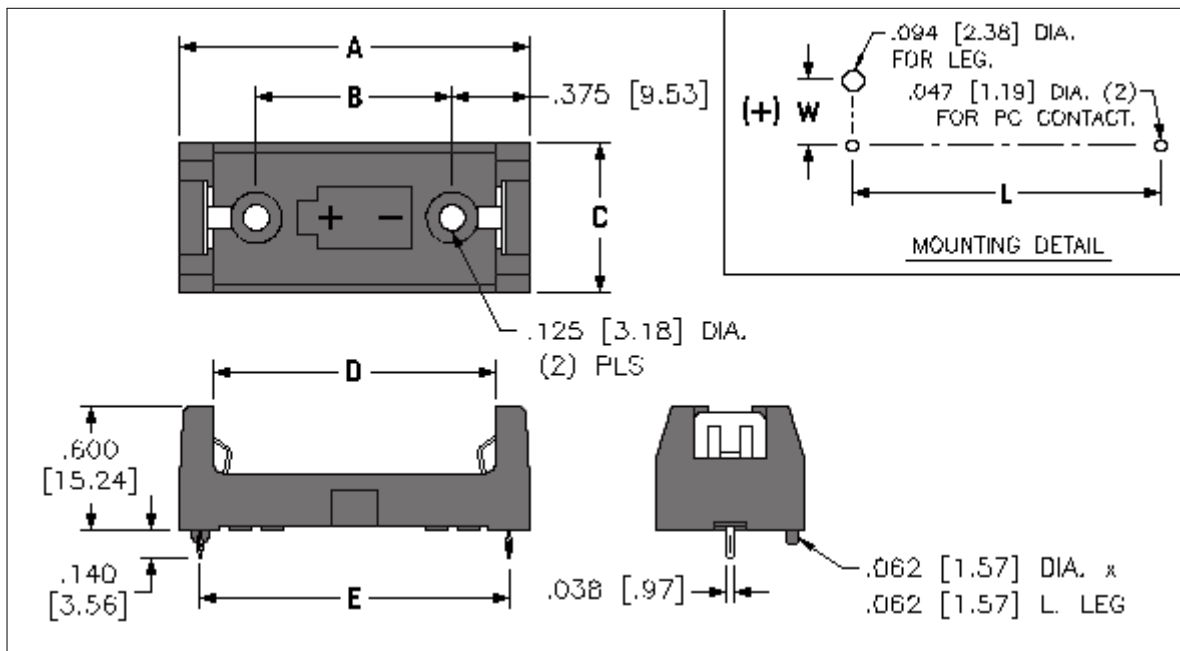


PCB Plastic Battery Holders and Retainer Covers

Accommodates "1/2 AA", "AA", "2/3 A" Size Batteries



Cat. No. Holders	Cat. No. Covers	Size & Type	Dims.	A (Max)	B	C	D	E	L	W
108	108C	1/2 AA	inch	1.360	.610	.640	1.030	1.160	1.160	.279
			mm	34,54	15,50	16,25	26,15	29,46	29,46	7,08
1028	1028C	AA	inch	2.360	1.610	.640	2.030	2.160	2.160	.279
			mm	59,95	40,90	16,25	51,56	54,86	54,86	7,08
1029	1029C 1029LC	2/3 A	inch	1.700	.950	.720	1.375	1.500	1.500	.320
			mm	43,18	24,13	18,29	34,93	38,10	38,10	8,13

Contacts: .012" (0,3mm) Spring Steel, Tin Nickel Plate

Base Material: PBT, UL rates 94V-0

Temp. Range: -60°F to +293°F (-50°C to +145°C)

Retainer Cover: PBT, UL rated 94V-0

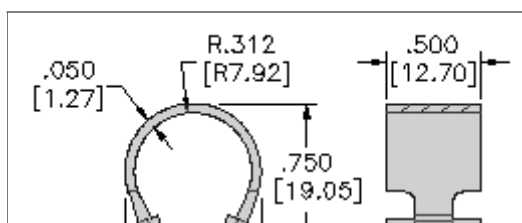
Temp. Range: -60°F to +293°F (-50°C to +145°C)

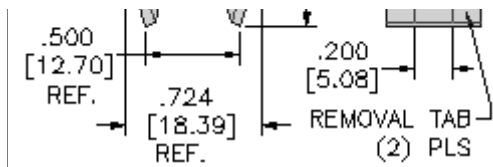
[\(see below for detail drawings\)](#)

Battery Cross Reference

Cat. No. 108 (1/2AA Size)	Cat. No. 1028 (AA Size)	Cat. No. 1029 (2/3A Size)
Eveready 544, Duracell PX28L, Kodak K28A & KS28, Panasonic CR14250, Saft LCP3, Electrochem 3B955, Maxell 4LR44, Sanyo CR14250SE	Eveready E9, EV15, E91, E177, 505, 1015, Duracell ZM9, NC 15, M15F, TR177, M505, MN1500, PC1500, Panasonic UM-3 & P-45AA, Sanyo N-600AA & N-700AA, Rayovac 5AA, 7AA, 615, 815	Duracell DL2/3A, Electrochem 3B793 & 3B950, Kodak K123L, Panasonic CR123A, Saft 450SC & VR0450, Sanyo CR17335SE

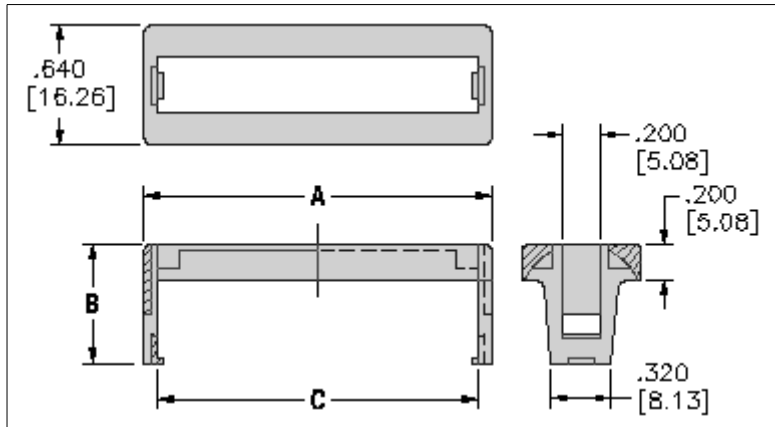
Retainer Cover





Cat. No. 1029C

Full Length Retainer Covers



Full Length Retainer Covers

Cat. No.	Dims.	A	B	C
108C	inch	1.500	.640	1.355
	mm	38,10	16,26	34,42
1028C	inch	2.515	.640	2.390
	mm	63,88	16,26	60,71
1029LC	inch	1.855	.725	1.710
	mm	47,12	18,42	43,43