



Connectors > Connector Backshells & Adapters > Ruggedized Backshells & Adapters



Connector General Specification Number: MIL-DTL-38999 Series I, MIL-DTL-38999 Series I/Class E,P,T, MIL-DTL-38999 Series I/Class E,T, MIL-DTL-38999 Series II/Class E,P,T, MIL-DTL-38999 Series II/Class E,T, MIL-DTL-38999 Series II/Class T

Backshell Material: Aluminum

Adapter Plating Material: Cadmium (AMS-QQ-P-416, Type II, Class 3)

Cable Diameter Range: 3.2 – 5.1 mm [ .125 – .2 in ]

Adapter Angle: Straight

## Features

### Product Type Features

|                              |   |
|------------------------------|---|
| Termination Device Included  | TR04BI  |
| Pluggable I/O Accessory Type | Tinel-Lock Adapter  |
| Adapter Angle                | Straight  |
| Termination Device Type      | Side-Entry Tinel-Lock Ring, Tinel-Lock Adapter, Tinel-Lock Ring |
| Connector Shell Size         | 08, 09  |

### Body Features

|                          |  |
|--------------------------|--|
| Color                    | Olive Drab                               |
| Backshell Material       | Aluminum                                 |
| Adapter Plating Material | Cadmium (AMS-QQ-P-416, Type II, Class 3) |
| TE Adapter Code          | 41                                       |
| Adapter Entry Size       | 4  |

### Termination Features

|                       |                 |
|-----------------------|-----------------|
| Overbraid Termination | Tinel-Lock Ring |
|-----------------------|-----------------|

### Dimensions

|                      |                             |
|----------------------|-----------------------------|
| Cable Entry Diameter | .2 – 6.4 mm [.01 – .25 in]  |
| Cable Diameter Range | 3.2 – 5.1 mm [.125 – .2 in] |

### Usage Conditions

|                             |                            |
|-----------------------------|----------------------------|
| Salt Spray Resistance       | 500 Hr                     |
| Operating Temperature Range | -65 – 175 °C[-85 – 347 °F] |

### Industry Standards

|                                       |  |
|---------------------------------------|--|
| Connector Detail Specification Number | MS24266, MS27467, MS27468, MS27472, MS27473, MS27474, MS27479, MS27480, MS27481, MS27484, MS27497, MS27652, MS27653, MS27656, MS27661, MS27665 |
|---------------------------------------|--|

### Other

|  |  |
|--|--|
| Connector General Specification Number | MIL-DTL-38999 Series I, MIL-DTL-38999 Series I/Class E,P,T, MIL-DTL-38999 Series I/Class E,T, MIL-DTL-38999 Series II/Class E, P,T, MIL-DTL-38999 Series II/Class E,T, MIL-DTL-38999 Series II/Class T |
|--|--|

## Product Compliance

[For compliance documentation, visit the product page on TE.com>](#)

|   |   |
|---|---|
| EU RoHS Directive 2011/65/EU                  | Not Compliant   |
| EU ELV Directive 2000/53/EC                   | Not Compliant   |
| China RoHS 2 Directive MIIT Order No 32, 2016 | Restricted Materials Above Threshold  |
| EU REACH Regulation (EC) No. 1907/2006        | Current ECHA Candidate List: JAN 2021 (211)<br>Candidate List Declared Against: JAN 2021 (211)<br>SVHC > Threshold:<br>Pb (.3% in BODY & NUT)<br>Cd (3% in BODY & NUT)<br><b>Article Safe Usage Statements:</b><br>Use personal protective equipment as required. Do not eat, drink or smoke when using this product. Wash thoroughly after handling. Recycle if possible and dispose of the article by following all applicable governmental regulations relevant to your geographic location. |
| Halogen Content                               | Low Halogen - Br, Cl, F, I < 900 ppm per homogenous material. Also BFR/CFR/PVC Free   |
| Solder Process Capability                     | Not applicable for solder process capability  |

#### Product Compliance Disclaimer

This information is provided based on reasonable inquiry of our suppliers and represents our current actual knowledge based on the information they provided. This information is subject to change. The part numbers that TE has identified as EU RoHS compliant have a maximum concentration of 0.1% by weight in homogenous materials for lead, hexavalent chromium, mercury, PBB, PBDE, DBP, BBP, DEHP, DIBP, and 0.01% for cadmium, or qualify for an exemption to these limits as defined in the Annexes of Directive 2011/65/EU (RoHS2). Finished electrical and electronic equipment products will be CE marked as required by Directive 2011/65/EU. Components may not be CE marked. Additionally, the part numbers that TE has identified as EU ELV compliant have a maximum concentration of 0.1% by weight in homogenous materials for lead, hexavalent chromium, and mercury, and 0.01% for cadmium, or qualify for an exemption to these limits as defined in the Annexes of Directive 2000/53/EC (ELV). Regarding the REACH Regulation, the information TE provides on SVHC in articles for this part number is based on the latest European Chemicals Agency (ECHA) 'Guidance on

requirements for substances in articles' posted at this URL: <https://echa.europa.eu/guidance-documents/guidance-on-reach>

## Compatible Parts



TE Part # 173643-000  
RH-3960-1-TINEL-KIT-120V

## Also in the Series | Raychem TXR



Ruggedized Backshells & Adapters  
(2821)



Screened Backshells & Adapters(1)

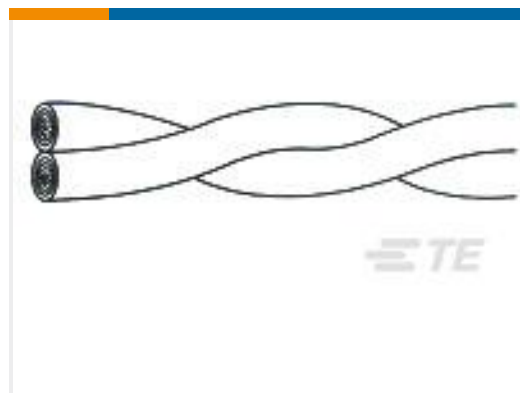
## Customers Also Bought



TE Part #395673-000  
Heat Shrink Boots: Lipped, Straight



TE Part #YDTS26W13-98PBV001  
D38999: Straight Plug, 13-98 Insert



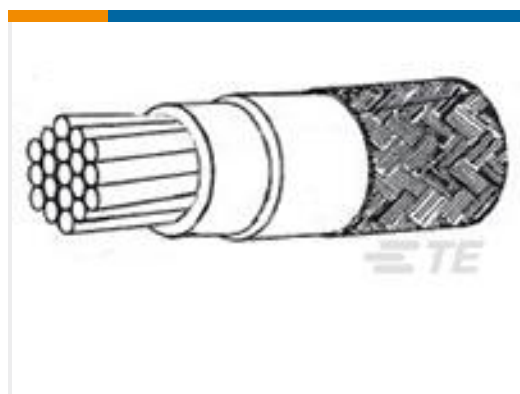
TE Part #3483633001  
55A0821-22-2/4



TE Part #3180423001  
55A0821-22-6/9



TE Part #3184083001  
55A1821-20-0/9-9



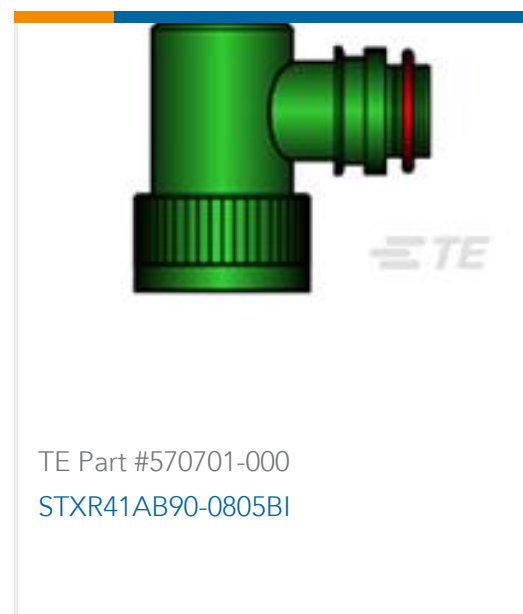
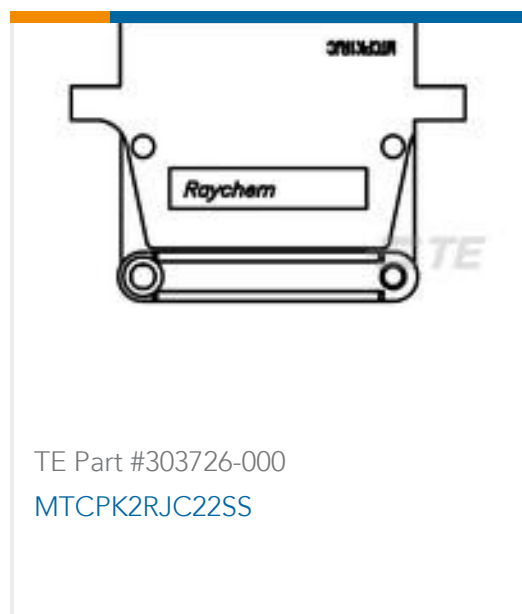
TE Part #218045-001  
55A8040-2-5D



TE Part #218047-000  
55A8040-6-5D



TE Part #401927-000  
D-500-0457-3-613-078



## Documents

### Product Drawings

[TXR41AB00-0804BI](#)

English

### CAD Files

[3D PDF](#)

3D

Customer View Model

[ENG\\_CVM\\_CVM\\_036159-000\\_O.2d\\_dxf.zip](#)

English

Customer View Model

[ENG\\_CVM\\_CVM\\_036159-000\\_O.3d\\_igs.zip](#)

English

Customer View Model

[ENG\\_CVM\\_CVM\\_036159-000\\_O.3d\\_stp.zip](#)

English

By downloading the CAD file I accept and agree to the [Terms and Conditions](#) of use.

### Datasheets & Catalog Pages

[5-1654025-5\\_sec6\\_Adapters](#)

English

### Circular Backshells

English

### Product Specifications

[General Information Package for Tinel-Lock Adapters](#)

English

[Braid termination using a Tinel Lock Ring installed using a resistance heater.](#)

English

[PERFORMANCE SPECIFICATION Tinel-Lock Rings, Heat Recoverable for Braid Termination](#)

English

[ASSEMBLY GUIDE for Tinel -Lock Rings, Heat Recoverable for Braid Temination](#)

English

[Braid termination using a Tinel Lock Ring installed using a resistance heater.](#)

French



---

[Instruction Sheets](#)

[Instruction Sheet \(U.S.\)](#)

English