

# RN73C2A5K1BTDF ✓ ACTIVE

Holsworthy | Holsworthy RN73

TE Internal #: 1676385-6

Holsworthy RN73, Surface Mount Resistors, Precision Resistor, 2 Termination, 0805, Taped & Reeled, .1 %, Thin Film, Resistance Class 1k $\Omega$  – 1M $\Omega$ , 5.1K  $\Omega$

[View on TE.com >](#)



Passive Components > Resistors > Surface Mount Resistors



Resistor Type: **Precision Resistor**

Number of Terminations: **2**

Package Size Code: **0805**

Packaging Method: **Taped & Reeled**

Passive Component Tolerance: **.1 %**

## Features

### Product Type Features

Product Type	Fixed Resistor
Resistor Type	Precision Resistor
Package Size Code	0805
Element Type	Thin Film

### Configuration Features

Number of Resistors	1
---------------------	---

### Electrical Characteristics

Voltage Rating	100 V
Passive Component Tolerance	.1 %
Resistance Class	1k $\Omega$ – 1M $\Omega$
Resistance Value	5.1K $\Omega$
Power Rating	.1 W

### Termination Features

Number of Terminations	2
Surface Mount Resistor Termination Type	Solder

### Dimensions

Passive Component Dimensions	2 x 1.25 x .55 mm
------------------------------	-------------------

### Usage Conditions

Temperature Coefficient	±10 ppm/°C
-------------------------	------------

### Packaging Features

Packaging Method	Taped & Reeled
------------------	----------------

### Product Compliance

[For compliance documentation, visit the product page on TE.com>](#)

EU RoHS Directive 2011/65/EU	Compliant
EU ELV Directive 2000/53/EC	Compliant
China RoHS 2 Directive MIIT Order No 32, 2016	No Restricted Materials Above Threshold
EU REACH Regulation (EC) No. 1907/2006	Current ECHA Candidate List: JAN 2021 (211) Candidate List Declared Against: JAN 2020 (205) SVHC > Threshold: Not Yet Reviewed
Halogen Content	Low Halogen - Br, Cl, F, I < 900 ppm per homogenous material. Also BFR/CFR/PVC Free
Solder Process Capability	Reflow solder capable to 260°C

#### Product Compliance Disclaimer

This information is provided based on reasonable inquiry of our suppliers and represents our current actual knowledge based on the information they provided. This information is subject to change. The part numbers that TE has identified as EU RoHS compliant have a maximum concentration of 0.1% by weight in homogenous materials for lead, hexavalent chromium, mercury, PBB, PBDE, DBP, BBP, DEHP, DIBP, and 0.01% for cadmium, or qualify for an exemption to these limits as defined in the Annexes of Directive 2011/65/EU (RoHS2). Finished electrical and electronic equipment products will be CE marked as required by Directive 2011/65/EU. Components may not be CE marked. Additionally, the part numbers that TE has identified as EU ELV compliant have a maximum concentration of 0.1% by weight in homogenous materials for lead, hexavalent chromium, and mercury, and 0.01% for cadmium, or qualify for an exemption to these limits as defined in the Annexes of Directive 2000/53/EC (ELV). Regarding the REACH Regulation, the information TE provides on SVHC in articles for this part number is based on the latest European Chemicals Agency (ECHA) 'Guidance on requirements for substances in articles' posted at this URL: <https://echa.europa.eu/guidance-documents/guidance-on-reach>

### Compatible Parts



TE Part # 1614349-9  
RN 0603 10K 0.1% 10PPM CUT LENGTH



TE Part # 1676153-3  
RN 0805 10K 0.1% 10PPM 5KRL



TE Part # 1676153-2  
RN 0805 10K 0.1% 10PPM 1KRL



TE Part # 1-1676142-3  
RN 0805 100K 0.01% 10PPM 5K RL



TE Part # 8-1879130-4  
RN 0402 5K11 0.1% 10PPM 5K RL

Also in the Series | **Holsworthy RN73**



Surface Mount Resistors(2573)

Customers Also Bought



TE Part #9-1879022-0  
SMD Power Resistor: 7 Watt, 200-2M Ohm




TE Part #1-1415015-1  
Forced Guided Relay, Reinforced Insulate



TE Part #3-2213818-2  
6X6 ILL TACT THT 160GF HI COLD WHITE



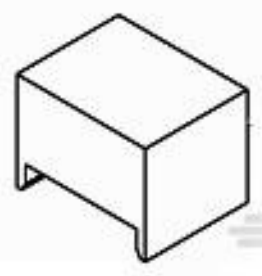
TE Part #4-1617118-9  
J1MAPD-5XL = M39016/23-019L



TE Part #2-1418362-3  
LEAVYSEAL HEADERS



TE Part #4-338315-2  
D-Sub Receptacle Assembly: Vertical, Shell Size 3, 2.77mm



TE Part #224441-1  
SEATING TOOL



TE Part #4-2176215-7  
CPF A 0402 84K5 0.1% 25PPM 1K RL



## Documents

### CAD Files

[3D PDF](#)

[3D](#)

#### Customer View Model

[ENG\\_CVM\\_CVM\\_1676385-6\\_BC.2d\\_dxf.zip](#)

English

#### Customer View Model

[ENG\\_CVM\\_CVM\\_1676385-6\\_BC.3d\\_igs.zip](#)

English

#### Customer View Model

[ENG\\_CVM\\_CVM\\_1676385-6\\_BC.3d\\_stp.zip](#)

English

By downloading the CAD file I accept and agree to the [Terms and Conditions](#) of use.

### Datasheets & Catalog Pages

[1309350\\_PASSIVE\\_COMPONENT](#)

English

[High Precision Resistors \(SMD\) - Type RN73 Series - Tyco Electronics Passives](#)

English

[8-1773459-4\\_POWER\\_FILTERING\\_AND\\_RESISTIVE\\_SOLUTIONS\\_FOR\\_ELEVATORS\\_AND\\_ESCALATORS](#)

English

### Product Environmental Compliance

[Product Compliance](#)

English

[Product Compliance](#)

English