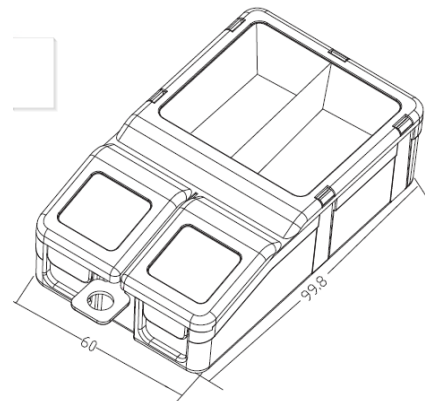
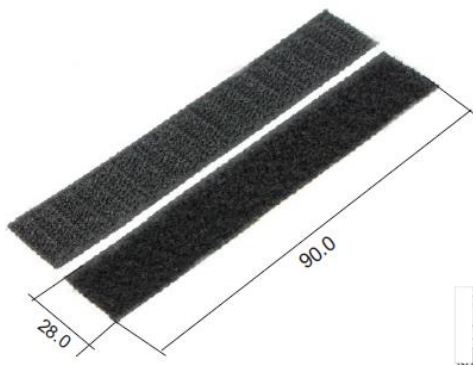


Data Sheet

Hook-and-loop strips for bundling



Box Material.....	Polypropylene (PP)
Box color	Black
Strips material	Nylon
Strips dimension	90x28mm
Backing	Self Adhesive
Operating temp.	-10°C- 65°C
Storage temp.	-10°C- 85°C
Operating humidity	85%RH
Storage humidity	95%RH
Tolerance	+/- 3mm

*Note: Box consists of 10 pairs of Hook and loop strips (10 pcs hook strips, 10 pcs loop strips)