



Datasheet

RS PRO DisplayPort to HDMI Adapter

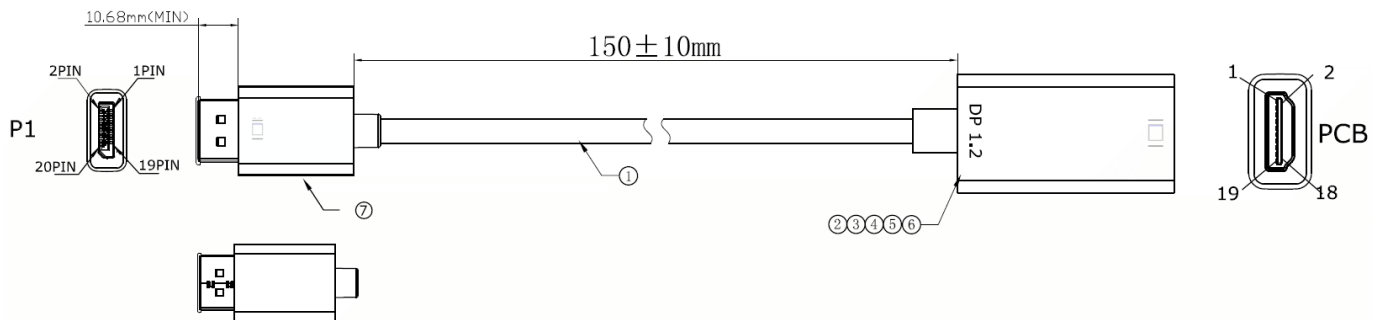
Stock number: 195-4279

EN

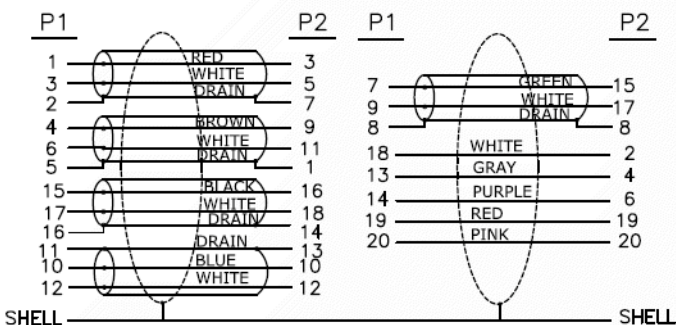
The RS-PRO DisplayPort male to HDMI female adapter is designed to let you connect either a monitor to a computer or graphics card that has a DisplayPort output.

Our adapter has a black ABS shell and black PVC jacket on the cable flex and has strain reliefs to prevent the cable flex splitting around the connectors.

The cable flex is made from 34awg to is connected to a PCB in the HDMI female housing.



PIN Assignment



| | |
|---|---|
| 7 | HDMI M dust cap |
| 6 | wire clamp:MINI DP TO PCB 34AWG black |
| 5 | Block head: HDMI AM black ABS |
| 4 | SHELL:HDMI AM ABS SHELL BLACK MARKING: DP 1.2... (gray) |
| 3 | outside model:45P black PVC |
| 2 | MDPH12-15CM PCBA shell:gold plated |
| 1 | DP M TO M~34AWG~OD?4.5MM~L=0.4M~black~shell:gold plated |

RoHS / REACH / CE

rspro.com

