



# Modules – plug-in units

Case ..... 2.10.0

Subrack ..... 2.20.0

19" chassis..... 2.50.0

Modules ..... 2.60.0

Front panels,  
partial width.....2.61.0

Plug-in modules....2.62.0

Frame-type 4 & 5  
plug-in units.....2.63.0

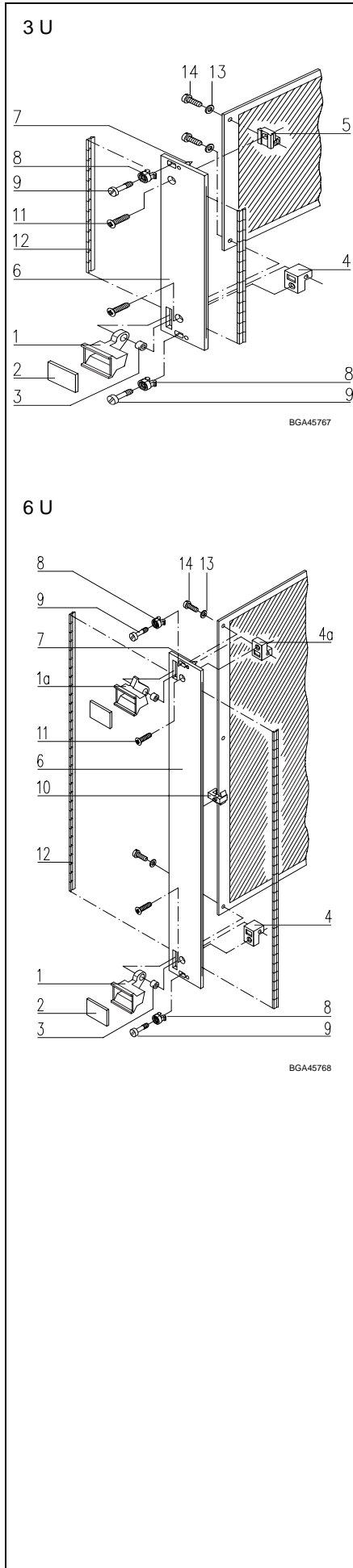
Drive units.....2.64.0

PCB accessories....2.65.0

Retention parts .....2.66.0

Accessories .... 2.70.0

Appendix..... 2.80.0



## Plug-in unit with extractor handle – in kit form

■ At 6 U the board location can be moved 1 HP to the right by swapping the upper and lower euroboard bracket. This creates space for SMD components on the left side.

Description	Width: HP	Front panel	
		unshielded	with slots for EMC contact strips
Plug-in unit, front panel 3 U	4	<b>20817-443</b>	<b>20846-130</b>
	5	<b>20817-444</b>	<b>20846-131</b>
	6	<b>20817-445</b>	<b>20846-132</b>
	7	<b>20817-446</b>	<b>20846-133</b>
	8	<b>20817-447</b>	<b>20846-134</b>
	10	<b>20817-456</b>	<b>20846-135</b>
Plug-in unit, front panel 6 U	4	<b>20817-448</b>	<b>20846-138</b>
	5	<b>20817-449</b>	<b>20846-139</b>
	6	<b>20817-450</b>	<b>20846-140</b>
	7	<b>20817-451</b>	<b>20846-141</b>
	8	<b>20817-452</b>	<b>20846-142</b>
	12	<b>20817-458</b>	<b>20846-143</b>
	12	<b>20817-459</b>	<b>20846-144</b>

### Delivery comprises

Item	Qty		Description	Comments
	3 U	6 U		
1	1	1	Extractor handle	PPE, grey, at bottom
1a	–	1	Extractor handle	PPE, grey, top
2	1	2	Identification plate	
3	1	2	Pivot bush	
4	1	1	PB-holder	Diecast, bottom
4a	–	1	PB-holder	Diecast, top
5	1	–	PB-holder	Diecast
6	1	1	Front panel for extractor handle	Front anodised, rear side yellow chromated
7	2	2	Alignment pin, pressed in	Stainless Steel, for front panels EMC
8	2	2	Sleeve	PA, grey
	2	2		Stainless Steel, for front panels EMC
8	4	4	Sleeve	PA, grey, from 8 HP front panel width
	4	4		Stainless Steel, for front panels EMC, from 8 HP front panel width
9	2	2	Collar screw with pozidrive/slot	M 2.5 × 11, up to 7 HP front panel width
	2	2		M 2.5 × 12.3, for front panels EMC, up to 7 HP front panel width
9	4	4	Collar screw with pozidrive/slot	M 2.5 × 11, from 8 HP front panel width
	4	4		M 2.5 × 12.3, for front panels EMC, from 8 HP front panel width
10	–	1	Central holder	black
11	1	2	Countersunk oval-head screw	M 2.5 × 8

Please order separately:

12	2	2	EMC contact strips for front panels with slots	see Individual Parts
----	---	---	--	----------------------