

**Specification:**

Rated current	175A
Rated voltage	600V
Insulation Resistance	5000MΩ
Contact Resistance	<90μΩ
Voltage Proof	2200VDC
Life: Without Load(Contact/Disconnect Cycles)	To 10000
Life: With Load(Hot Plug 250 Cycles & 120V)	75A
Flammability	UL94 V-0
Insertion Force	≥4kgf
Contact Barrel Wire Size	≥4.5kgf
Contact Barrel Wire Size	4AWG~1/0AWG
Connector Holding Force	500N Min
Environment Temperatures	-20°C...125°C

**Material and Surface Performance:****Housing**

Housing Material	PC
Process of Production	Plastic Injection

**Shrapnel**

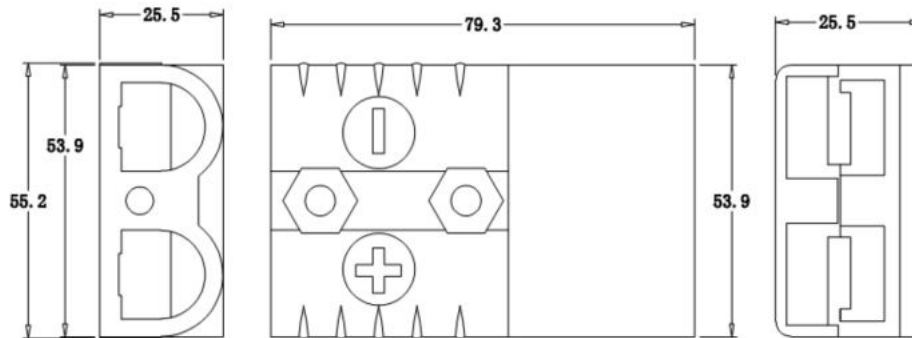
Shrapnel Material	Stainless Steel
Process of Production	Precision Punching

**Terminal**

Terminal Material	Red Copper
Process of Production	Precision Punching
Plating	Ag

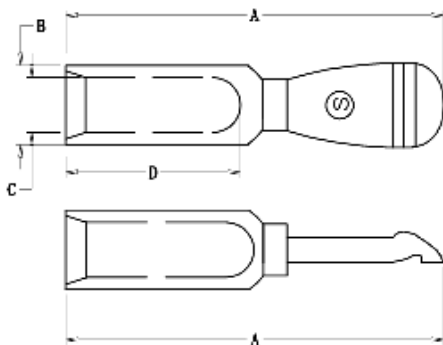
## Housing

Part Number	Housing Colour
RND 205SG175H-GY	Grey
RND 205SG175H-RE	Red
RND 205175-001	Grey
RND 205175-002	Red



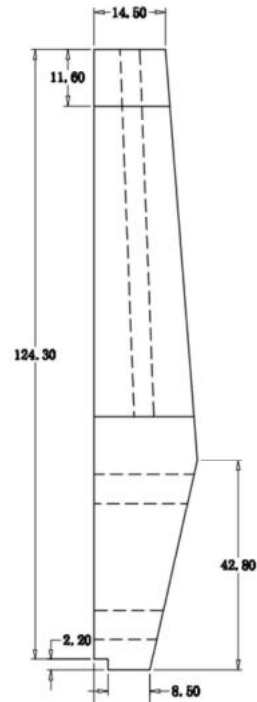
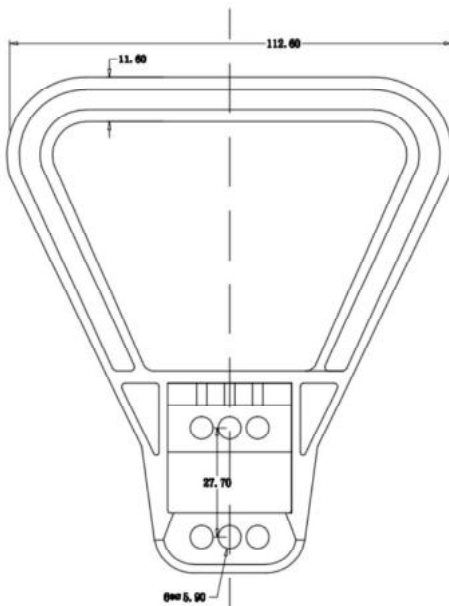
## Terminal

Part Number	-A-(mm)	-B-(mm)	-C-(mm)	-D-(mm)	Wire size	Current
RND 205SGD1382-T	57.8	12.8	11.2	21	1/0AWG	175A
RND 205SGD1383-T	57.8	12.8	8.9	21	2AWG	150A
RND 205SGD1384-T	57.8	12.8	7.6	21	4AWG	120A



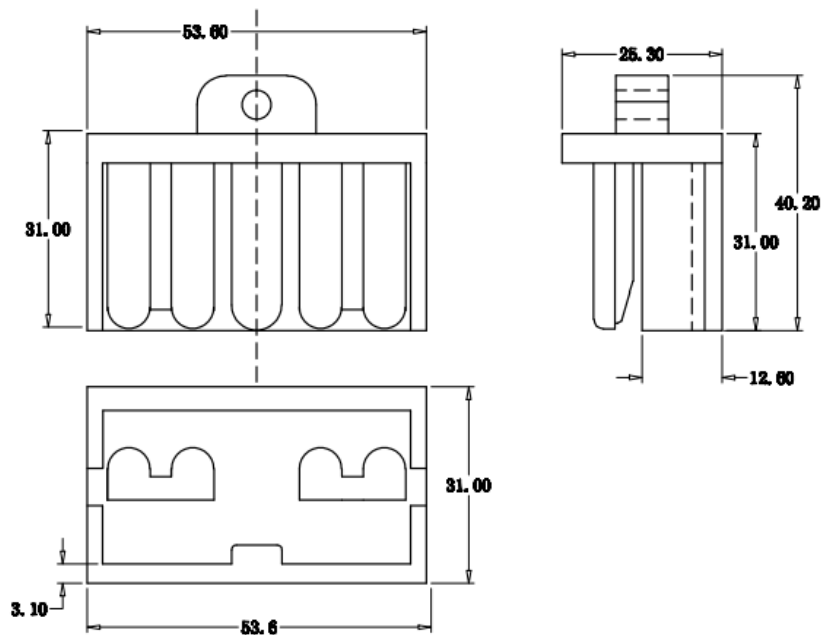
## Auxiliary-Handle

Part Number	-A-(mm)	-B-(mm)	-C-(mm)	-D-(mm)	-E-(mm)	-F-(mm)	-G-(mm)
RND 205SG112G3-RE	41	113	6.6	6.0	125.5	28.7	76.0
RND 205SG112G3-GY	41	113	6.6	6.0	125.5	28.7	76.0



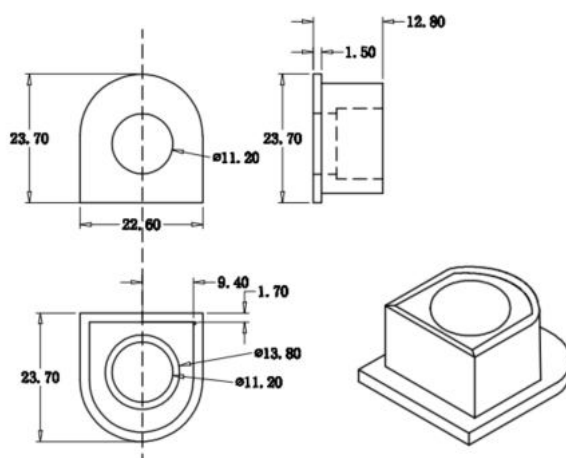
## Dust Cover

Part Number	Colour
RND 205SG113F2-BL	Black



## Solid Line Plug

Part Number	Thread Hole
RND 205SG115F1-RE	11.2



### Dust Cover

Part Number	Colour
RND 205SG113F1-BL	Black
RND 205SG113F1-RE	Red

