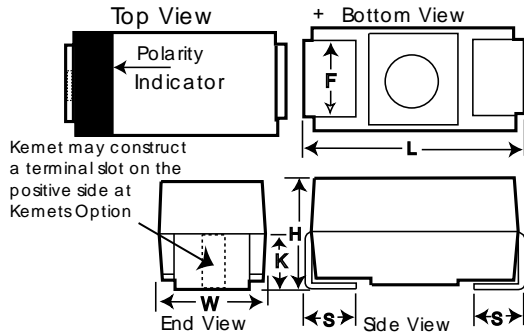


KEMET Part Number: T491X108K004ZT
(B45196H0108K509)

Capacitor, tantalum, 1000 uF, 7343, +/-10% Tol, 4V@85C



Dimensions (mm)		
Symbol	Dimension	Tolerance
L	7.3	+/-0.3
W	4.3	+/-0.3
H	4.1	+/-0.3
K	1.8	typ
F	2.4	+/-0.1
S	1.3	+/-0.3

Notes:

-In polarity stripe, at KEMET's option, type may be indicated: see catalog for explanation of symbols

-Old part number [Obsolete] was B45196H0108K509

General Information	
Manufacturer:	KEMET
Construction:	Standard Chip-MnO2

Specifications	
Capacitance:	1000 uF
Voltage DC @ 85C:	4V
Voltage DC @ 105C:	3.3V
Voltage DC @ 125C:	2.5V
Tolerance:	+/-10%
Application:	General Purpose
Temperature Range:	-55/+125C
Body Type:	Molded Chip
Footprint:	7343
Termination:	Tin
RoHS:	Yes
Leakage Current:	40 uA
Dissipation Factor:	15%
Impedance @ 100kHz:	600 mOhm

Packaging Specifications	
Package Kind:	T&R
Package Size:	7in
Package Quantity:	400