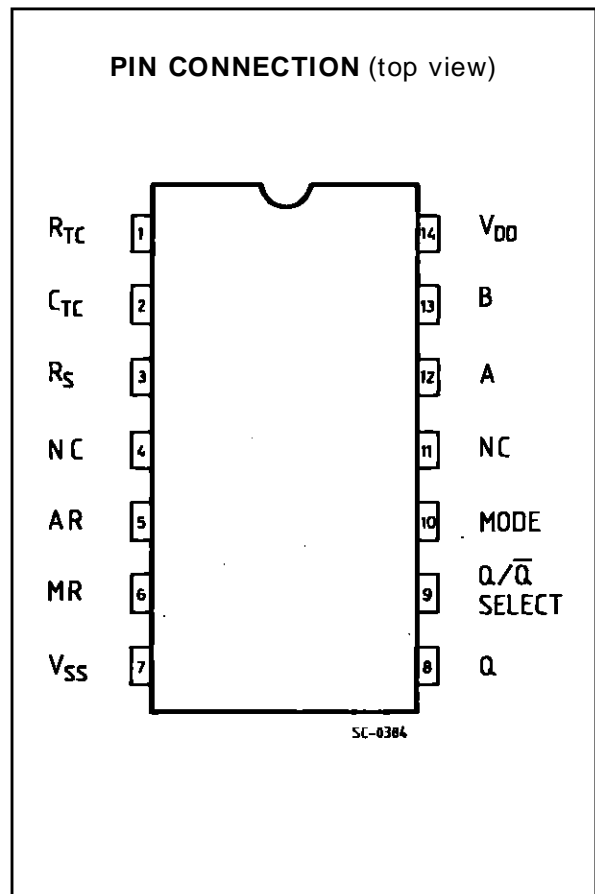
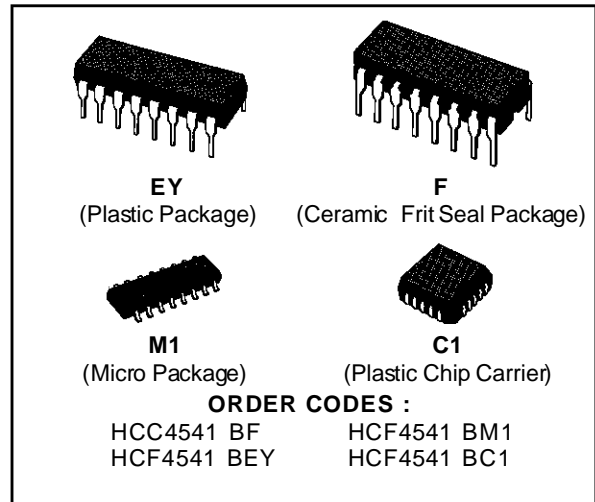


PROGRAMMABLE TIMER

- 16 STAGE BINARI COUNTER
- LOW SYMMETRICAL OUTPUT RESISTANCE, TYPICALLY 100 OHM AT $V_{DD} = 15V$
- OSCILLATOR FREQUENCY RANGE : DC TO 100kHz
- AUTO OR MASTER RESET DISABLES OSCILLATOR DURING RESET TO REDUCE POWER DISSIPATION
- OPERATES WITH VERY SLOW CLOCK RISE AND FALL TIMES
- BUILT-IN LOW-POWER RC OSCILLATOR
- EXTERNAL CLOCK (applied to pin 3) CAN BE USED INSTEAD OF OSCILLATOR
- OPERATES AS 2^N FREQUENCY DIVIDER OR AS A SINGLE-TRANSITION TIMER
- Q/\bar{Q} SELECT PROVIDES OUTPUT LOGIC LEVEL FLEXIBILITY
- CAPABLE OF DRIVING SIX LOW POWER TTL LOADS, THREE LOW-POWER SCHOTTKY LOADS, PR SIX HTL LOADS OVER THE RATED TEMPERATURE RANGE
- SYMMETRICAL OUTPUT CHARACTERISTICS
- 100% TESTED FOR QUIESCENT CURRENT AT 20V
- 5-10-15V PARAMETRIC RATINGS
- MEETS ALL REQUIREMENTS OF JEDEC TENTATIVE STANDARD N 13A, "STANDARD SPECIFICATIONS FOR DESCRIPTION OF 'B' SERIES CMOS DEVICES"

DESCRIPTION

The **HCC/HCF4541B** Programmable Timer is composed of a 16-stage binary counter, an oscillator controlled by 2 external resistors and a capacitor, an output control logic and an automatic power-on reset circuit. The counter varies on positive-edge clock transition and it can be cleared by the MASTER RESET input. The output from this timer is the Q or \bar{Q} output from the 8th, 13th, or 16th counter stage. The choice of the stage depends on the time-select inputs A or B (see frequency selection table). The output is available in one of the two modes that can be selected via the MODE input, pin 10 (see truth table). The output turns out as a continuous square wave, with a frequency equal to the oscillator frequency divided by 2^N . When this MODE input is



HCC/HCF4541B

a logic "1", when it is a logic "0" and after a MASTER RESET is started, and Q output has been selected, the output goes up to a high state after 2^{N-1} counts. It remains in that state till another MASTER RESET pulse is apply or the mode input is a logic "1". The process starts by setting the AUTO RESET input (pin 5) to logic "0" and switching power on. If pin 5 is set to logic "1", the AUTO RESET circuit is not enabled and counting cannot start till a positive MASTER RESET pulse is applied, returning to a low level. The AUTO RESET consumes a remarkable

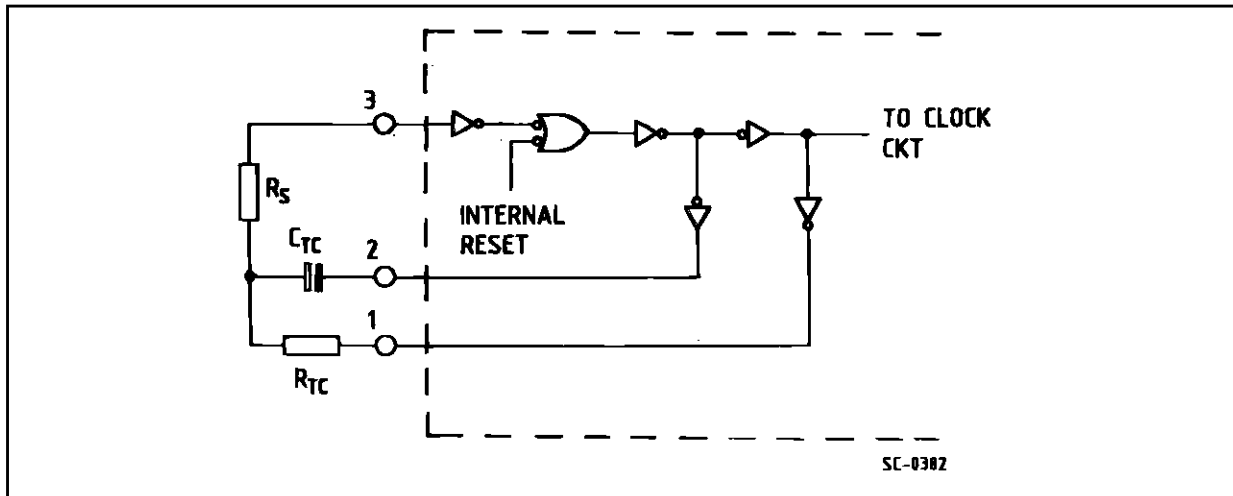
RC Oscillator Circuit.

amount of power and should not be used if low-power operation is wanted.

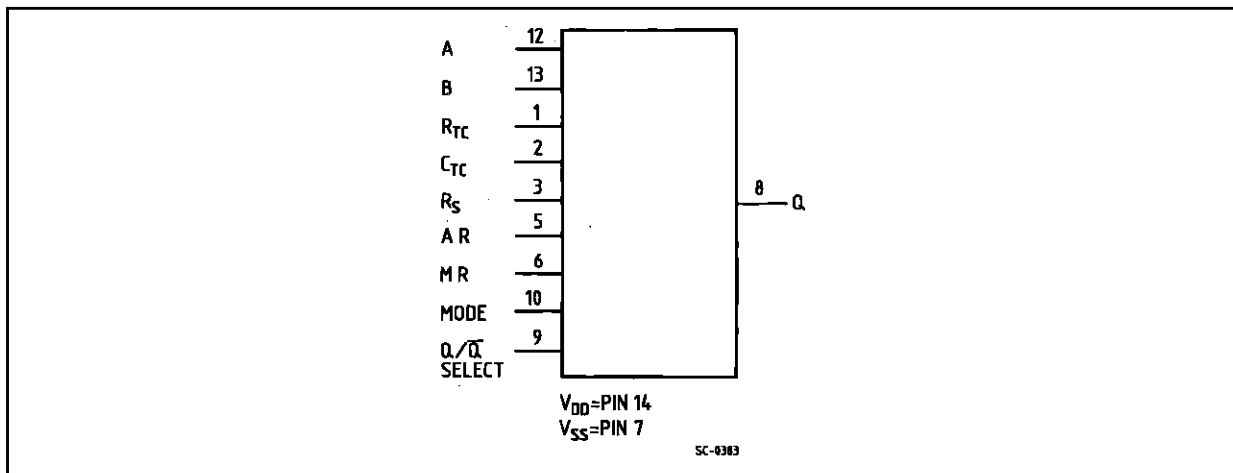
The frequency of the oscillator depends on the RC network. It can be calculated using the following formula:

$$f = \frac{1}{2.3 R_{TC} C_{TC}}$$

where f is between 1 kHz and 100 kHz
and $R_S \geq 10 \text{ k}\Omega$ and $\approx 2 R_{TC}$



FUNCTIONAL DIAGRAM



ABSOLUTE MAXIMUM RATINGS

Symbol	Parameter	Value	Unit
V _{DD} *	Supply Voltage : HCC Types HCF Types	- 0.5 to + 20	V
		- 0.5 to + 18	V
V _I	Input Voltage	- 0.5 to V _{DD} + 0.5	V
I _I	DC Input Current (any one input)	± 10	mA
P _{tot}	Total Power Dissipation (per package) Dissipation per Output Transistor for T _{op} = Full Package-temperature range	200	mW
		100	mW
T _{op}	Operating Temperature : HCC Types HCF Types	- 55 to + 125	°C
		- 40 to + 85	°C
T _{stg}	Storage Temperature	- 65 to + 150	°C

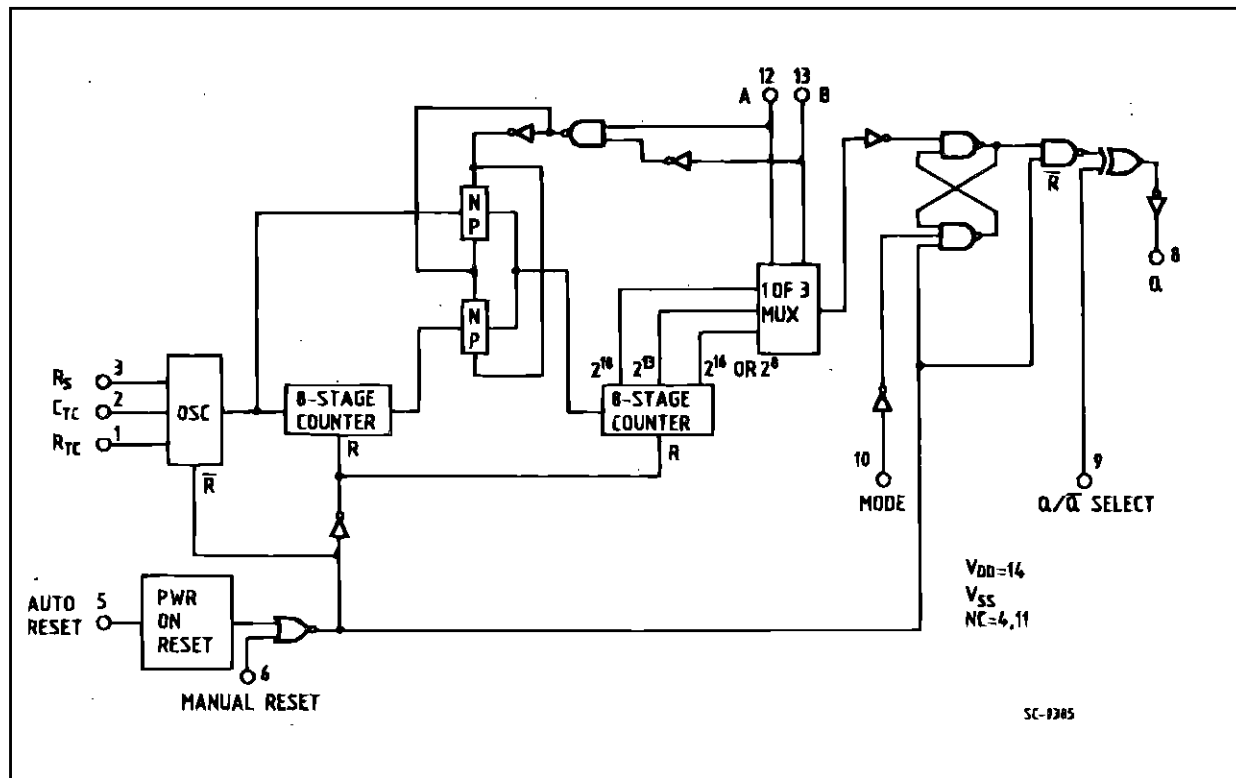
Stresses above those listed under "Absolute Maximum Ratings" may cause permanent damage to the device. This is a stress rating only and functional operation of the device at these or any other conditions above those indicated in the operational sections of this specification is not implied. Exposure to absolute maximum rating conditions for extended periods may affect device reliability.

* All voltages are with respect to V_{SS} (GND).

RECOMMENDED OPERATING CONDITIONS

Symbol	Parameter	Value	Unit
V _{DD}	Supply Voltage : HCC Types HCF Types	3 to 18	V
		3 to 15	V
V _I	Input Voltage	0 to V _{DD}	V
T _{op}	Operating Temperature : HCC Types HCF Types	- 55 to 125	°C
		- 40 to 85	°C

LOGIC DIAGRAM



STATIC ELECTRICAL

Symbol	Parameter		Test Conditions				Value						Unit	
			V _I (V)	V _O (V)	I _O (μ A)	V _{DD} (V)	T _{Low}		25°C			T _{High}		
							Min.	Max.	Min.	Typ.	Max.	Min.		Max.
I _L	Quiescent Current	HCC Types	0/5			5		5		0.04	5		150	μ A
			0/10			10		10		0.04	10		300	
			0/15			15		20		0.04	20		600	
		0/20			20		100		0.08	100		3000		
		HCF Types	0/5			5		5		0.04	5		150	
			0/10			10		10		0.04	10		300	
0/15				15		20		0.04	20		600			
V _{OH}	Output High Voltage	0/5		< 1	5	4.95		4.95			4.95		V	
		0/10		< 1	10	9.95		9.95			9.95			
		0/15		< 1	15	14.95		14.95			14.95			
V _{OL}	Output Low Voltage	5/0		< 1	5		0.05			0.05		0.05	V	
		10/0		< 1	10		0.05			0.05		0.05		
		15/0		< 1	15		0.05			0.05		0.05		
V _{IH}	Input High Voltage		0.5/4.5	< 1	5	3.5		3.5			3.5		V	
			1/9	< 1	10	7		7			7			
			1.5/13.5	< 1	15	11		11			11			
V _{IL}	Input Low Voltage		4.5/0.5	< 1	5		1.5			1.5		1.5	V	
			9/1	< 1	10		3			3		3		
			13.5/1.5	< 1	15		4			4		4		
I _{OH}	Output Drive Current	HCC Types	0/5	4.6		5	-1.9		-1.55	-3.1		-1.08		mA
			0/5	2.5		5	-6.2		-5	-10		-3		
			0/10	9.5		10	-5.0		-4	-8		-2.8		
			0/15	13.5		15	-12.6		-10	-20		-7.2		
		HCF Types	0/5	4.6		5	-1.85		-1.55	-3.1		-1.26		
			0/5	2.5		5	-6.0		-5	-10		-4.1		
			0/10	9.5		10	-4.8		-4	-8		-3.3		
			0/15	13.5		15	-12		-10	-20		-8.4		
I _{OL}	Output Sink Current	HCC Types	0/5	0.4		5	1.9		1.55	3.1		1.08		mA
			0/10	0.5		10	5.0		4	8		2.8		
			0/15	1.5		15	12.6		10	20		7.2		
		HCF Types	0/5	0.4		5	1.85		1.55	3.1		1.26		
			0/10	0.5		10	4.8		4	8		3.3		
			0/15	1.5		15	12		10	20		8.4		
I _{IH} , I _{IL}	Input Leakage Current		0/18	Any Input	18		± 0.1		± 0.1 ₅	± 0.1		± 1	μ A	
C _I	Input Capacitance			Any Input					5	7.5			pF	

* T_{Low} = - 55C for HCC device : - 40C for HCF device.

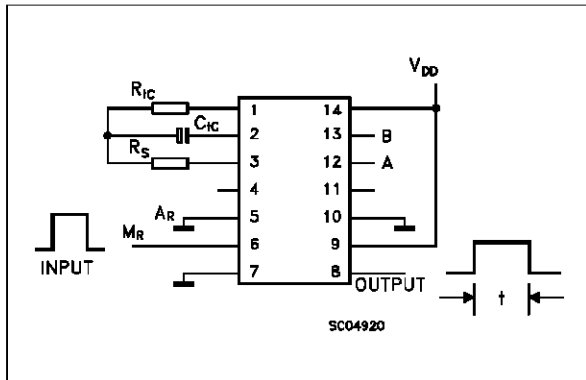
* T_{High} = + 125C for HCC device : + 85C for HCF device.

The Noise Margin for both " 1 " and " 0 " level is : 1V min. with V_{DD} = 5V 2V min. with V_{DD} = 10V 2.5V min. with V_{DD} = 15V

DYNAMIC ELECTRICAL CHARACTERISTICS ($T_{amb} = 25^{\circ}\text{C}$, $C_L = 50\text{pF}$, $R_L = 200\text{k}\Omega$, typical temperature coefficient for all V_{DD} values is $0.3\%/^{\circ}\text{C}$, all input rise and fall time = 20ns)

Symbol	Parameter	VDD (V)	Values			Unit
			Min.	Typ.	Max.	
(2^8) t_{PHL} t_{PLH}	Propagation Delay Time Clock to Q	5		3.5	10.5	μs
		10		1.25	3.8	
		15		0.9	2.9	
(2^{16}) t_{PHL} t_{PLH}		5		6	18	μs
		10		3.5	10	
		15		2.5	7.5	
t_{THL}	Transition Time	5		100	200	ns
		10		50	100	
		15		40	80	
t_{TLH}		5		180	360	ns
		10		90	180	
		15		65	130	
	Master Reset, Clock Pulse Width	5	900	300		ns
		10	300	100		
		15	225	85		
f_{CL}	Maximum Clock Pulse Input Frequency	5		1.5		MHz
		10		4		
		15		6		
t_r, t_f	Maximum Clock Pulse Input Rise or Fall Time	5	Unlimited			μs
		10				
		15				

DIGITAL TIMER APPLICATION



A positive MASTER RESET pulse clears the counters and latch. The output goes high and keeps up till the number of pulses, selected by A and B, are counted. This circuit is retriggerable and is as accurate as the input frequency. If a more accurate circuit is desired, an external clock can be used on pin 3. A set-up time equal to the width of the one shot output is required immediately following initial power up, during which time the output will be high.

FREQUENCY SELECTION TABLE

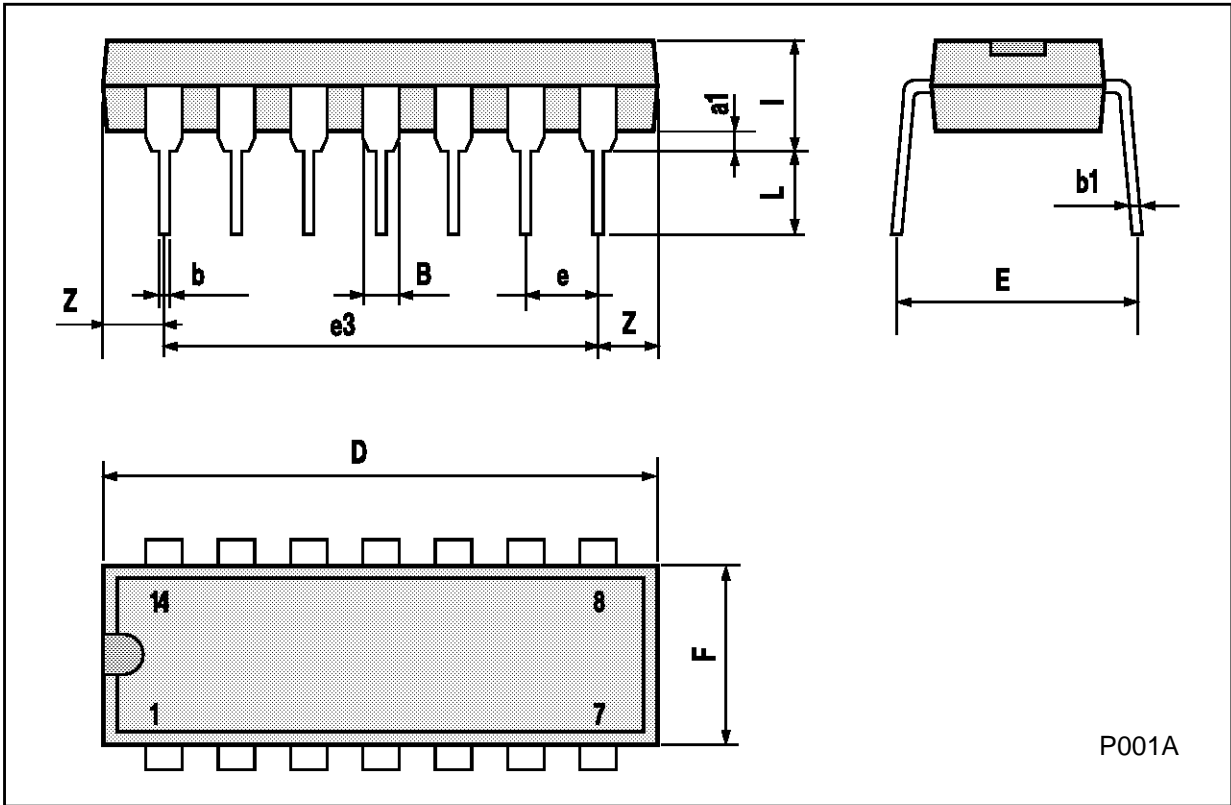
A	B	N° of Stages N	Count 2 ^N
0	0	13	8192
0	1	10	1024
1	0	18	256
1	1	16	65536

TRUTH TABLE

Pin	State	
	0	1
5	Auto Reset On	Auto Reset Disable
6	Master Reset Off	Master Reset On
9	Output Initially Low After Reset (Q)	Output Initially High After Reset (\bar{Q})
10	Single Transition Mode	Recycle Mode

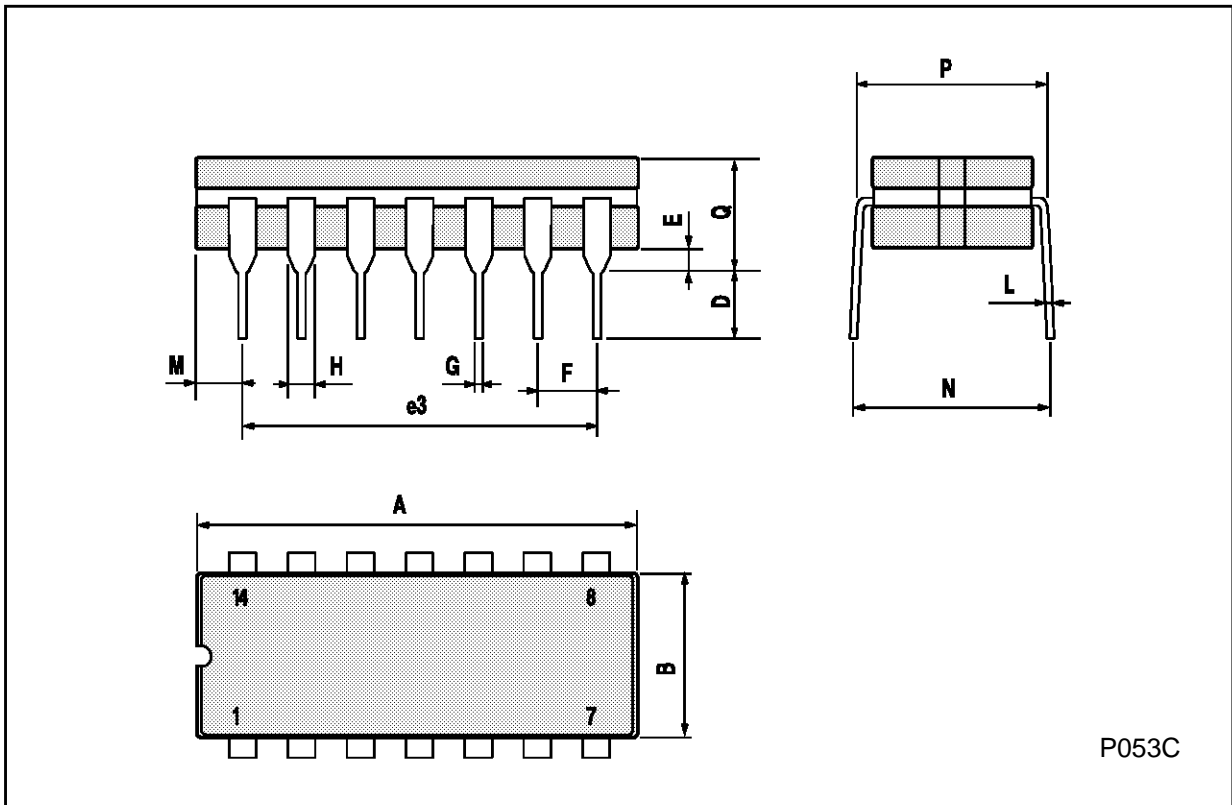
Plastic DIP14 MECHANICAL DATA

DIM.	mm			inch		
	MIN.	TYP.	MAX.	MIN.	TYP.	MAX.
a1	0.51			0.020		
B	1.39		1.65	0.055		0.065
b		0.5			0.020	
b1		0.25			0.010	
D			20			0.787
E		8.5			0.335	
e		2.54			0.100	
e3		15.24			0.600	
F			7.1			0.280
I			5.1			0.201
L		3.3			0.130	
Z	1.27		2.54	0.050		0.100



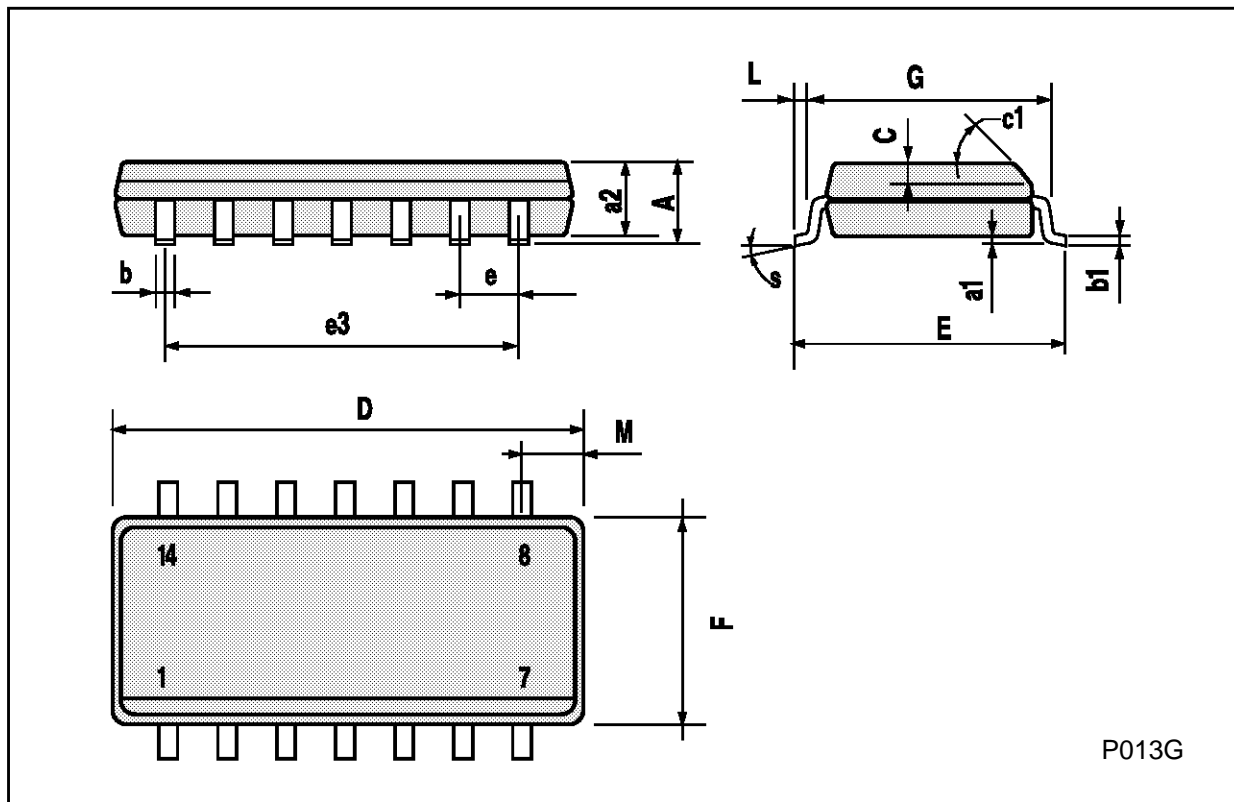
Ceramic DIP14/1 MECHANICAL DATA

DIM.	mm			inch		
	MIN.	TYP.	MAX.	MIN.	TYP.	MAX.
A			20			0.787
B			7.0			0.276
D		3.3			0.130	
E	0.38			0.015		
e3		15.24			0.600	
F	2.29		2.79	0.090		0.110
G	0.4		0.55	0.016		0.022
H	1.17		1.52	0.046		0.060
L	0.22		0.31	0.009		0.012
M	1.52		2.54	0.060		0.100
N			10.3			0.406
P	7.8		8.05	0.307		0.317
Q			5.08			0.200



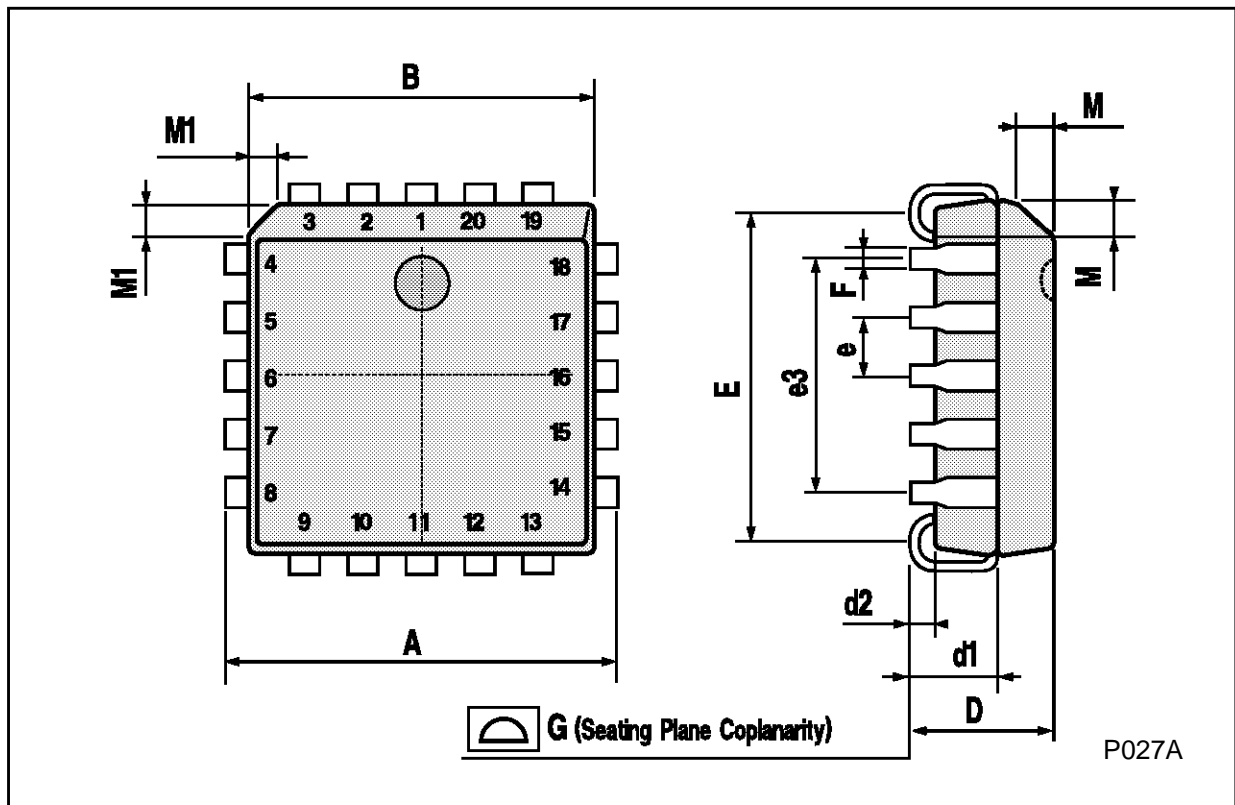
SO14 MECHANICAL DATA

DIM.	mm			inch		
	MIN.	TYP.	MAX.	MIN.	TYP.	MAX.
A			1.75			0.068
a1	0.1		0.2	0.003		0.007
a2			1.65			0.064
b	0.35		0.46	0.013		0.018
b1	0.19		0.25	0.007		0.010
C		0.5			0.019	
c1	45° (typ.)					
D	8.55		8.75	0.336		0.344
E	5.8		6.2	0.228		0.244
e		1.27			0.050	
e3		7.62			0.300	
F	3.8		4.0	0.149		0.157
G	4.6		5.3	0.181		0.208
L	0.5		1.27	0.019		0.050
M			0.68			0.026
S	8° (max.)					



PLCC20 MECHANICAL DATA

DIM.	mm			inch		
	MIN.	TYP.	MAX.	MIN.	TYP.	MAX.
A	9.78		10.03	0.385		0.395
B	8.89		9.04	0.350		0.356
D	4.2		4.57	0.165		0.180
d1		2.54			0.100	
d2		0.56			0.022	
E	7.37		8.38	0.290		0.330
e		1.27			0.050	
e3		5.08			0.200	
F		0.38			0.015	
G			0.101			0.004
M		1.27			0.050	
M1		1.14			0.045	



Information furnished is believed to be accurate and reliable. However, SGS-THOMSON Microelectronics assumes no responsibility for the consequences of use of such information nor for any infringement of patents or other rights of third parties which may result from its use. No license is granted by implication or otherwise under any patent or patent rights of SGS-THOMSON Microelectronics. Specifications mentioned in this publication are subject to change without notice. This publication supersedes and replaces all information previously supplied. SGS-THOMSON Microelectronics products are not authorized for use as critical components in life support devices or systems without express written approval of SGS-THOMSON Microelectronics.

© 1996 SGS-THOMSON Microelectronics - Printed in Italy - All Rights Reserved

SGS-THOMSON Microelectronics GROUP OF COMPANIES

Australia - Brazil - Canada - China - France - Germany - Hong Kong - Italy - Japan - Korea - Malaysia - Malta - Morocco - The Netherlands - Singapore - Spain - Sweden - Switzerland - Taiwan - Thailand - United Kingdom - U.S.A