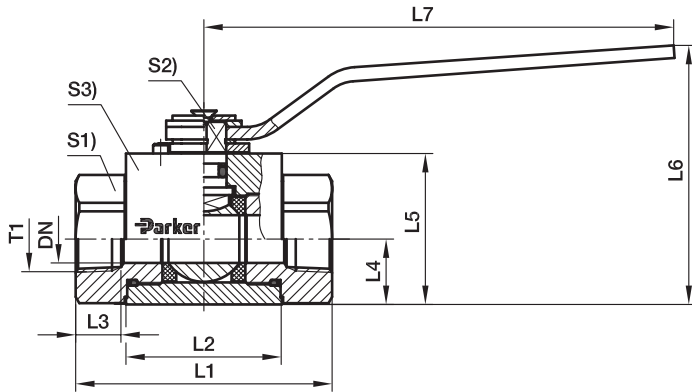


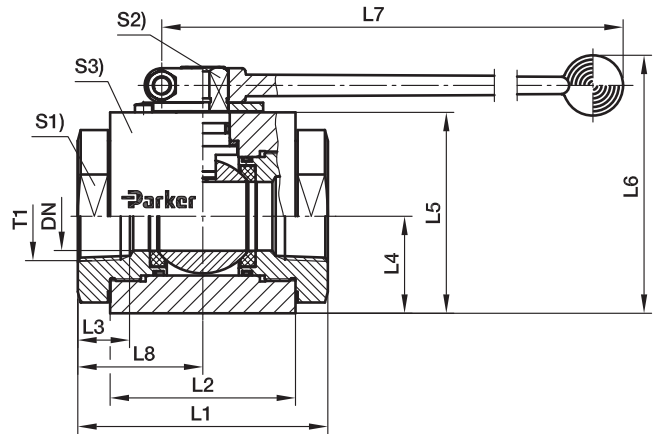
KH 2-way NPT ball valve stainless steel

Female NPT thread (SAE 476) / Female NPT thread (SAE 476)

DN 4-25



DN 32-40



T1	DN	L1	L2	L3	L4	L5	L6	L7	L8	S1	S2	S3	Weight g/1 piece	Order code*	PN (bar) ¹⁾ 71
1/8-27 NPT	4	82	41	6.9	13.7	30.0	56.5	76		22	7	30	461	KH1/8NPT71X	500
1/4-18 NPT	6	82	41	10.0	13.7	30.0	56.5	76		22	7	30	441	KH1/4NPT71X	500
3/8-18 NPT	10	95	53	10.3	18.0	40.0	84.5	130		30	8	40	943	KH3/8NPT71X	500
1/2-14 NPT	12	108	55	13.6	21.0	45.0	90.0	130		32	10	45	1177	KH1/2NPT71X	500
3/4-14 NPT	20	111	65	14.1	31.0	65.0	115.0	185		46	14	65	2054	KH3/4NPT71X	420
1-11.5 NPT	25	122	71	16.8	38.0	75.0	125.0	185		50	14	75	2451	KH1NPT71X	420
1 1/4-11.5 NPT	32	110	86	17.3	45.0	93.2	175.0	320	55	70	19	100	5300	KH11/4NPT71X	420
1 1/2-11.5 NPT	40	120	92	17.7	52.2	104.4	186.0	320	60	80	19	110	7230	KH11/2NPT71X	420

¹⁾ Pressure shown = item deliverable

$$\frac{\text{PN (bar)}}{10} = \text{PN (MPa)}$$

Delivery without nut and ring. Information on ordering complete fittings or alternative sealing materials see page I7.

*Please add the **suffixes** below according to the material/surface required.

Order code suffixes			
Material	Suffix surface and material	Example	Standard sealing material (no additional suffix needed)
Stainless steel	without	KH1/8NPT71X	POM / NBR

