

N005B000 N Female Panel Receptacle Connector

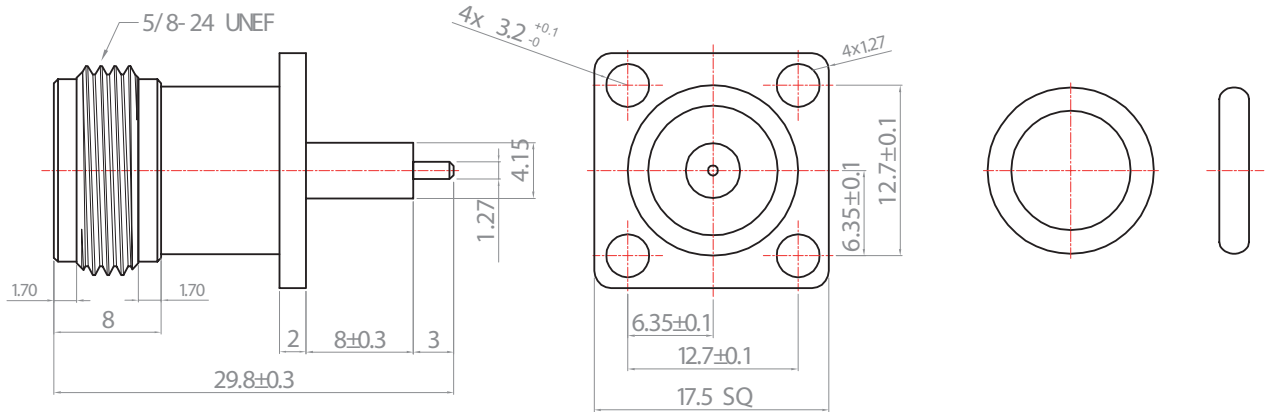
Order code: **16-1113**

Specifications:

Finish: [Unit of Plating Thickness Is in Micro Inch(μ)]

1. Nickel Plating Thickness. : 70 μ " min. (Under Plating)
2. Gold Plating Thickness : 2 μ " max. (Over Finish 1)

Item	Description	Material	Finish
1	Body	Brass	Finish 1
2	Insulator	PTFE	None
3	Inner Contact	Brass	Finish 1/2
4	O-Ring	Si-Rubber	Black



NOTES:

1. Any Electrical, Mechanical or Environmental Test Per MIL-PRF-39012F Should be Spotlighted, As We May Not Have All Testing Equipment to Cover All of It.
2. All Metal Materials Are in Compliance with RoHS 2 Directive 2011/65/EU Annex III Section 6 Paragraph.

Electrical:

Impedance : 50 ohm
 Frequency Range : 0~11 GHz .
 Voltage Rating : 1000 V rms.(depending on cable)
 Insulator Resistance : $\geq 5 \text{ G}\Omega$
 Dielectric Withstanding Voltage : 2500 V rms .
 Contact Resistance : Center Contact $\leq 1 \text{ m}\Omega$.
 Outer Contact $\leq 1 \text{ m}\Omega$.

Mechanical:

Mating : 5/8-24 UNEF Screw-on.
 Recommended Mating Torque : 6.0~10.0 lbs
 Coupling Nut Retention Force : $\geq 101.3 \text{ lbs}$

Environmental :

Corrosion(Salt Spray) : MIL-STD-202, Method 101, Cond. B
 Thermal Shock : MIL-STD-202, Method 107, Cond. B Thermal
 Mechanical : MIL-STD-202, Method 213, Cond. I
 Vibration : MIL-STD-202, Method 204, Cond. B