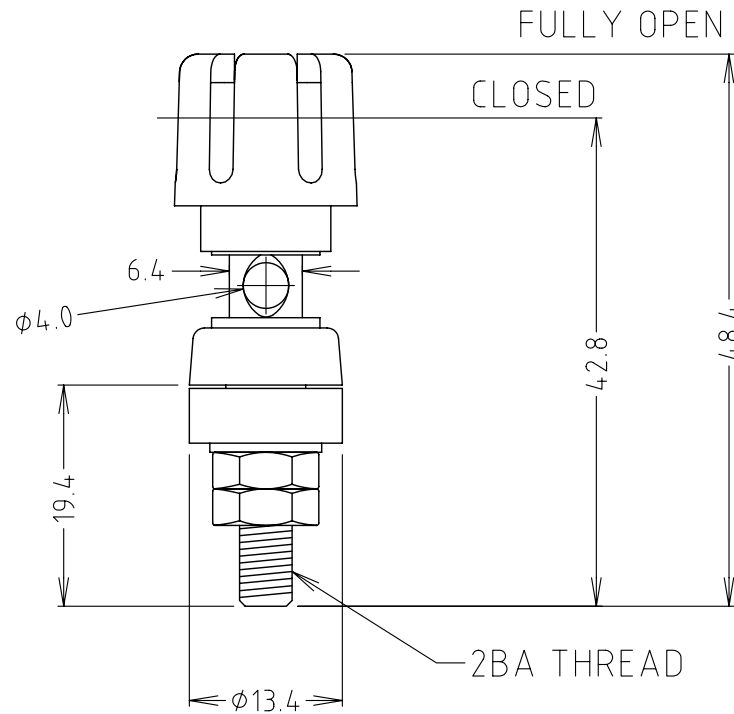
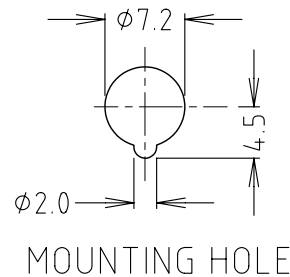


ISS.	AMEND	DATE
1	1st Drawn	26/6/09



VARIANTS				
MODEL	COLOURS			P/No.
	KNOB	TOP INS.	BOT INS.	
TP/6 BLK	BLK	BLK	BLK	CL159710
TP/6 RED	RED	RED	BLK	CL159720
TP/6 BLUE	BLUE	BLUE	BLK	CL159729
TP/6 GREEN	GREEN	GREEN	BLK	CL159741
TP/6 YELLOW	YELLOW	YELLOW	BLK	CL159774



SUPPLIED UNASSEMBLED.  
BOTTOM INSULATOR AND 2 NUTS  
PACKED SEPARATELY.

**RoHS**  
COMPLIANT

TOLERANCE  
NO DEC. PLACE ±  
1 DEC. PLACE ±  
2 DEC. PLACE ±  
HOLE DIA. ±  
ANGLES ± 1/2°  
UNLESS  
OTHERWISE STATED

WHERE USED F.R.

SCALE N.T.S.

DIMENSIONS IN MILLIMETERS UNLESS OTHERWISE STATED. WORK TO DIMENSIONS. DO NOT SCALE DRAWING. 3rd ANGLE PROJECTION. REMOVE ALL BURRS. IF IN DOUBT ASK.

**Cliff Electronic Components Ltd.**

76 Holmethorpe Ave., Holmethorpe Ind. Estate,  
Redhill, Surrey, RH1 2PF, England  
Tel: 01737-771375 Fax: 01737-766012

MATERIAL POLYPROP / BRASS / POLYAMIDE

FINISH AS MOULDED / NI PLATED

DRAWN CAMJ

APPD. RWT

TITLE TERMINAL POST TP/6

DRWG. No. **CL 159710**

FORM: A4DRWGH