

Order code	Manufacturer code	Description
36-0258	92FG	92FG HEATSINK TO-92 BRASS 36.1C/W (RC)

	Page 1 of 3
The enclosed information is believed to be correct, Information may change 'without notice' due to product improvement. Users should ensure that the product is suitable for their use. E. & O. E.	Revision A 04/07/2003

For use with TO-92 packages

[Printer friendly version](#)

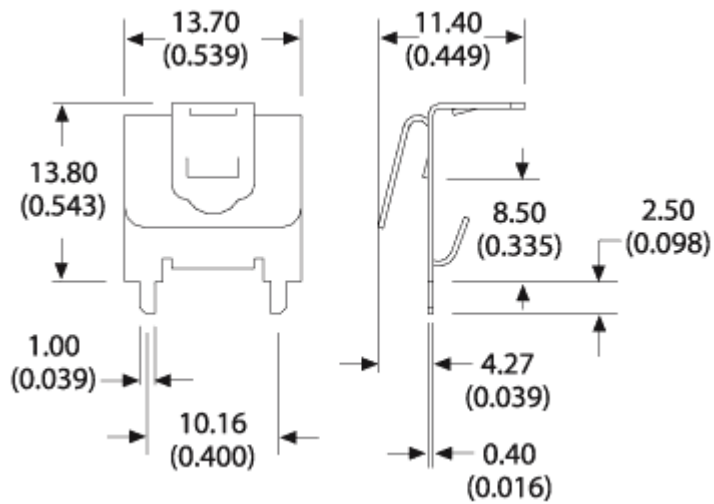
Part Number - 92FG
VIS - 032902

RoHS 
Compliant

Product
Change
Notice 

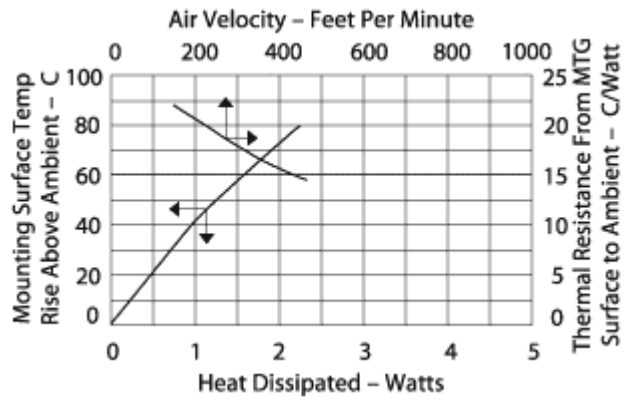


Mechanical Outline Drawing



Thermal Curves

Air Velocity - Feet Per Minute



Product Information

Part #	Description	Finish	Board Mounting
92FG	Lost cost brass clip on heat sink	unfinished	View Hole Dimensions