

Omni-directional Electret Condenser Microphone with Leads



DESCRIPTION

Omni-directional 7.1mm diameter microphone with leads.

DISTINCTIVE FEATURES

- PCB mount with fitted leads
- 7.1mm diameter
- Frequency range 50~16000Hz
- Signal to noise ratio (F=1KHz 1Pa)
A weighted >60dB
- Integrated capacitors for RF filtering

APPLICATIONS

Suitable for Audio, consumer electronics & portable devices.

7.1mm
Ø

Omni

Leads



ELECTRICAL SPECIFICATION

| | |
|-------------------------------|-------------------------------|
| Standard Operating Voltage | 2V |
| Maximum Operating Voltage | 10V |
| Maximum current consumption | 0.5mA |
| Output impedance | 2.2KΩ (F=1KHz 1Pa) |
| Frequency | 50~16000Hz |
| Sensitivity | -38±3dB (F=1KHz, 0dB=1VPa) |
| Sensitivity reduction | -3dB (@1.5V~3.0V) |
| Signal to noise ratio | >60dB (F=1KHz 1Pa) A weighted |
| Electrets type | Foil Type |
| Internal Filtering Capacitors | C1 = 10pF, C2 = 33pF |



GENERAL SPECIFICATION

| | |
|----------------|--|
| Type | Electret Condenser Microphone with Leads |
| Directivity | Omni-directional |
| RoHS Compliant | Yes |



MATERIALS

| | |
|----------|-----------|
| Material | Aluminium |
|----------|-----------|



ENVIRONMENTAL/OPERATING SPECIFICATION

| | |
|-----------------------|-------------|
| Storage temperature | -20°C~+60°C |
| Operating temperature | -20°C~+60°C |



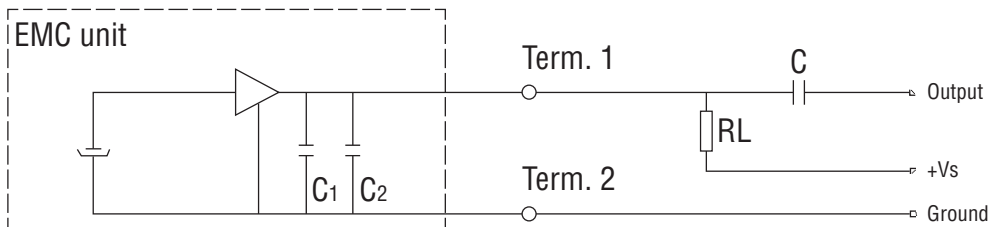
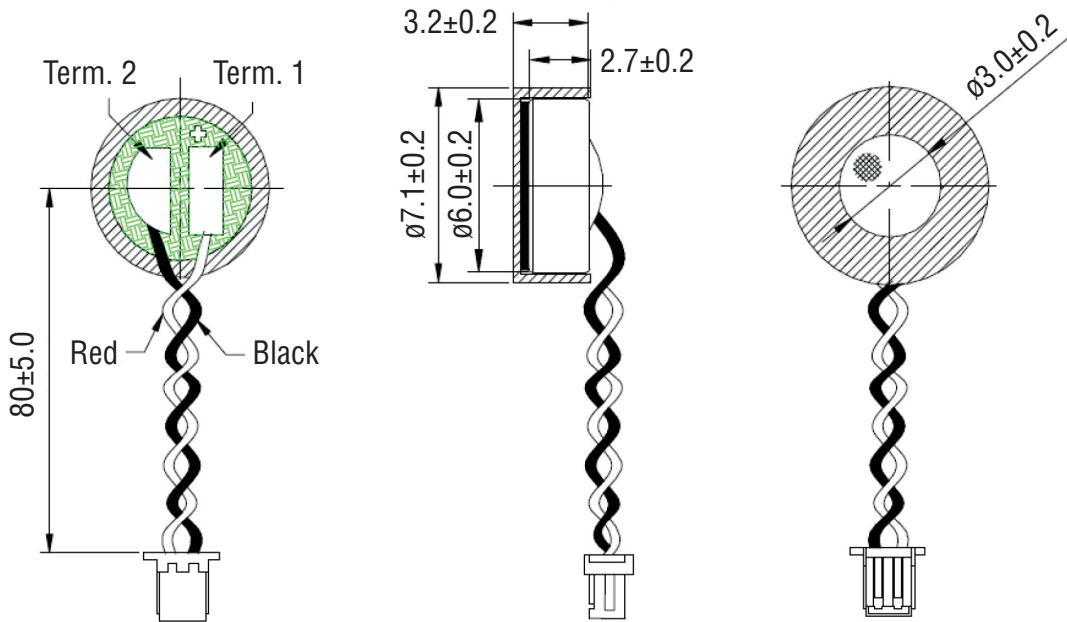
TERMINALS

| | |
|-------------|--------------|
| Termination | Leads |
| Wire type | UL1571 32AWG |
| Connector | 51021-0200 |



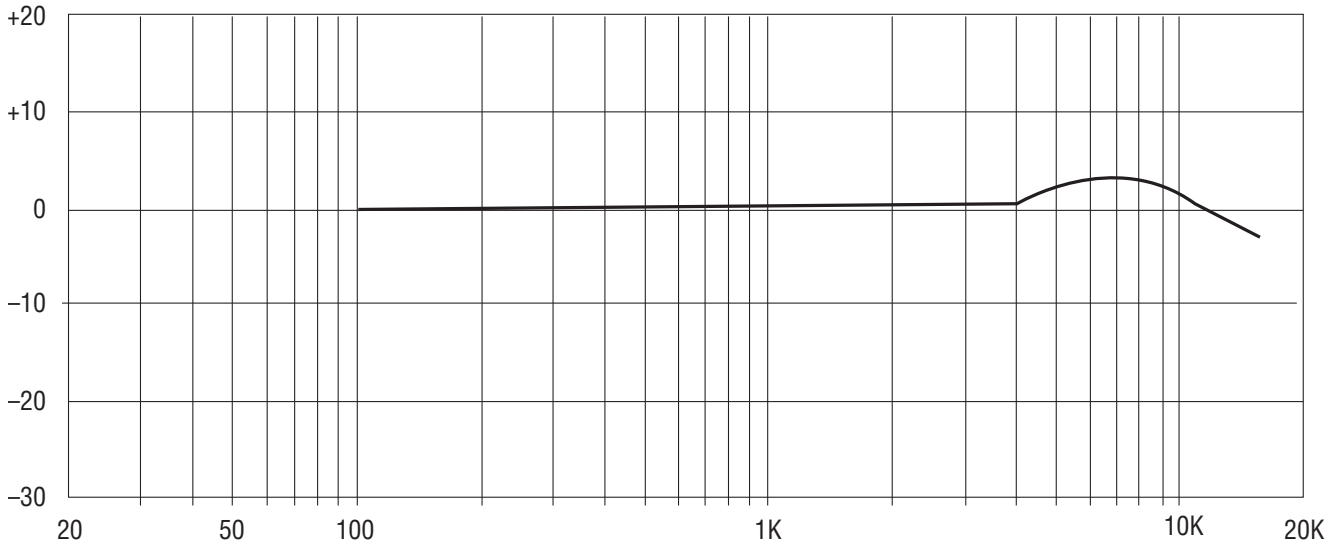
DIMENSIONS/DRAWINGS

| | |
|------------|---|
| Units | mm - unless stated otherwise |
| Dimensions | $\text{Ø}7.1\pm0.2 \times 3.2\pm0.2\text{mm}$ |
| Weight | 1.21 grams |



C1: 10PF
C2: 33PF

Typical Frequency Response Curve



PART NUMBER TABLE

| Part Number | UNSPSC | EAN | Country of Origin |
|----------------|----------|---------------|-------------------|
| 52-4627 | 52161520 | 5053556008988 | China |

For further information on pricing, delivery, and long-term stock agreements please contact your local business development person, telephone our main office on **01206 838000** or email **Sales@Rapidonline.com**.



Tried & trusted technology

Important Notice: This data sheet and its contents (the "Information") belong to Rapid Electronics Limited or are licensed to it. No licence is granted for the use of it other than for information purposes in connection with the products to which it relates. No licence of any intellectual property rights is granted. The Information is subject to change without notice and replaces all data sheets previously supplied. The Information supplied is believed to be accurate but Rapid Electronics Limited assumes no responsibility for its accuracy or completeness, any error in or omission from it or for any use made of it. Users of this data sheet should check for themselves the Information and the suitability of the products for their purpose and not make any assumptions based on information included or omitted. Liability for loss or damage resulting from any reliance on the Information or use of it (including liability resulting from negligence or where Rapid Electronics Limited were aware of the possibility of such loss or damage arising) is excluded. This will not operate to limit or restrict Rapid Electronics Limited's liability for death or personal injury resulting from its negligence.