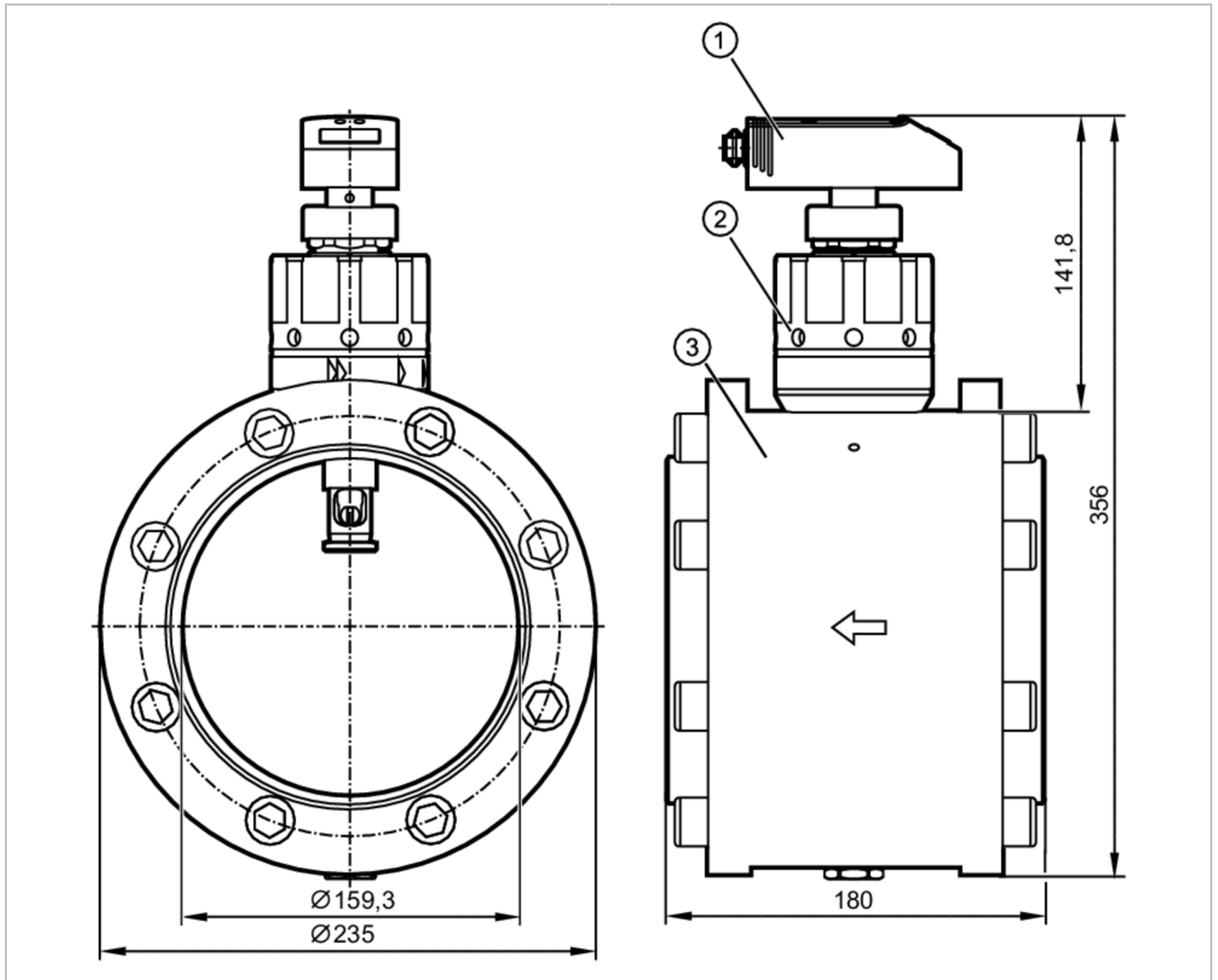


SDG152



Compressed air meter

SDG6"/METRIS PB DN150 LM



CE

Product characteristics

Number of inputs and outputs	Number of digital outputs: 2; Number of analogue outputs: 1
Measuring range [m ³ /h]	33...10000
Process connection	flange DN150 according to: DIN 2448

Application

Application	totaliser function
Media	compressed air air quality ISO 8573-1
Note on media	class 141 class 344
Medium temperature [°C]	0...60
Pressure rating [bar]	16



Compressed air meter

SDG6"/METRIS PB DN150 LM

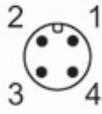
Electrical data		
Operating voltage	[V]	19...30 DC
Current consumption	[mA]	< 100
Protection class		III
Reverse polarity protection		yes
Power-on delay time	[s]	0.5
Inputs / outputs		
Number of inputs and outputs		Number of digital outputs: 2; Number of analogue outputs: 1
Outputs		
Total number of outputs		2
Output signal		switching signal; analogue signal; pulse signal; (configurable)
Electrical design		PNP
Number of digital outputs		2
Output function		normally open / normally closed; (parameterisable)
Max. voltage drop switching output DC	[V]	2
Permanent current rating of switching output DC	[mA]	250; (per output)
Number of analogue outputs		1
Analogue current output	[mA]	4...20; (scalable)
Max. load	[Ω]	500
Pulse output		consumed quantity meter
Short-circuit protection		yes
Type of short-circuit protection		pulsed
Overload protection		yes
Measuring/setting range		
Measuring range	[m ³ /h]	33...10000
Display range	[m ³ /h]	0...12000
Volumetric flow quantity monitoring		
Pulse value		10 Nm ³
Pulse length	[s]	0,1
Accuracy / deviations		
Flow monitoring		
Accuracy (in the measuring range)		± (3 % MW + 0,3 % MEW) / ± (6 % MW + 0,6 % MEW); (class 141 / ; class 344)
Response times		
Flow monitoring		
Response time	[s]	0.1; (dAP = 0)
Operating conditions		
Ambient temperature	[°C]	0...60
Storage temperature	[°C]	-20...85
Max. relative air humidity	[%]	90
Protection		IP 65

SDG152



Compressed air meter

SDG6"/METRIS PB DN150 LM

Tests / approvals		
EMC	EN 61000-4-2 ESD	4 kV CD / 8 kV AD
	EN 61000-4-3 HF radiated	10 V/m
	EN 61000-4-4 Burst	2 kV
	EN 61000-4-6 HF conducted	10 V
Vibration resistance	DIN IEC 68-2-6	5 g (55...2000 Hz)
MTTF	[years]	214
Mechanical data		
Weight	[g]	27570
Materials	PBT-GF20; PC; PC; stainless steel (1.4301 / 304); FKM; pipe section: steel galvanised	
Materials (wetted parts)	stainless steel (1.4401 / 316); stainless steel (1.4301 / 304); ceramics glass passivated; PEEK; polyester; FKM; aluminium anodised; steel galvanised	
Process connection	flange DN150 according to: DIN 2448	
Remarks		
Remarks	MW = measured value	
	MEW = Final value of the measuring range	
	Measuring, display and setting ranges refer to the standard volume flow according to DIN ISO 2533.	
	For information about installation and operation please see the operating instructions.	
Pack quantity	1 pcs.	
Electrical connection		
Connector: 1 x M12		
		

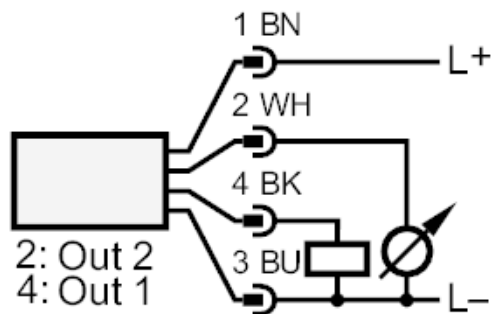
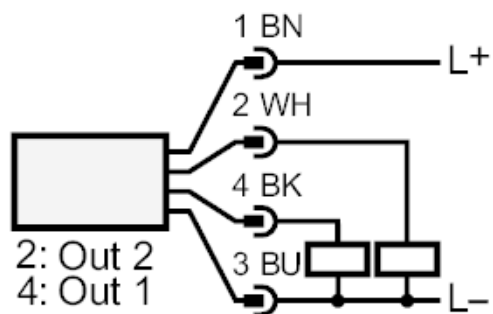
SDG152



Compressed air meter

SDG6"/METRIS PB DN150 LM

Connection



- OUT1: switching output
 Pulse output quantity meter
- OUT2: switching output
 input counter reset
 analogue output