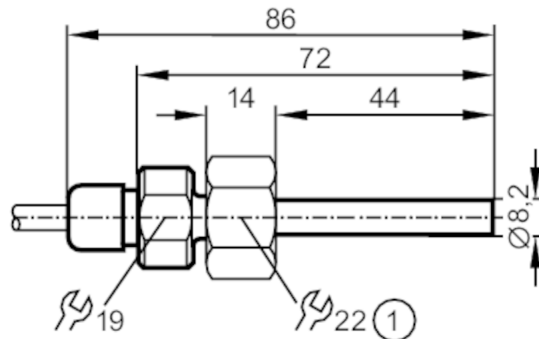


# SF5800



## Flow sensor for connection to an evaluation unit

SFD10ZDT /6M



1 Internal thread M18 x 1,5



### Product characteristics

Probe length L	[mm]	45
Process connection		M18 x 1,5 internal thread

### Application

Application		high-temperature range
Media		Liquids; Gases; aggressive media
Pressure rating	[bar]	100
Liquids		
Medium temperature	[°C]	0...120
Gases		
Medium temperature	[°C]	0...100

### Electrical data

Connection to control monitor		VS3000
-------------------------------	--	--------

### Measuring/setting range

Probe length L	[mm]	45
Liquids		
Setting range	[cm/s]	3...300
Greatest sensitivity	[cm/s]	3...60
Gases		
Setting range	[cm/s]	200...3000
Greatest sensitivity	[cm/s]	200...800

### Accuracy / deviations

Temperature gradient	[K/min]	300
----------------------	---------	-----

### Response times

Response time	[s]	1...10
---------------	-----	--------

### Operating conditions

Storage temperature	[°C]	-25...80
Protection		IP 67

# SF5800



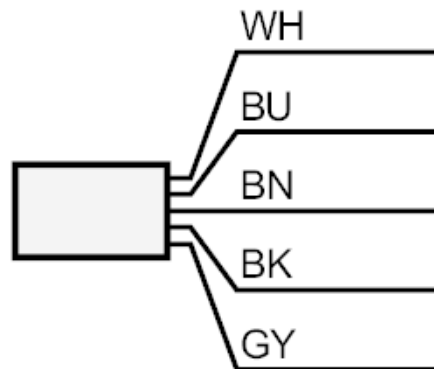
## Flow sensor for connection to an evaluation unit

SFD10ZDT /6M

Tests / approvals		
Shock resistance	DIN IEC 68-2-27	40 g (11 ms)
Vibration resistance	DIN IEC 68-2-6	10 g (55...2000 Hz)
MTTF [years]	8096	
Mechanical data		
Weight [g]	449.5	
Housing	for adapter	
Dimensions [mm]	M18 x 1.5	
Thread designation	M18 x 1.5	
Materials	titanium (3.7035)	
Materials (wetted parts)	titanium (3.7035); O-ring: FKM 80 Shore A	
Process connection	M18 x 1,5 internal thread	
Remarks		
Pack quantity	1 pcs.	

Electrical connection	
Cable: 6 m, silicone; Maximum cable length: 100 m; 5 x 0.34 mm <sup>2</sup>	

### Connection



	Core colours :
BN =	brown
BU =	blue
BK =	black
WH =	white
GY =	grey