



**Part no.: 50132999**  
**MSI-FB-ETHERCAT**  
**Fieldbus gateway**



Figure can vary

## Contents

- Technical data
- Dimensioned drawings
- Electrical connection
- Circuit diagrams
- Notes

Part no.: 50132999 – MSI-FB-ETHERCAT – Fieldbus gateway

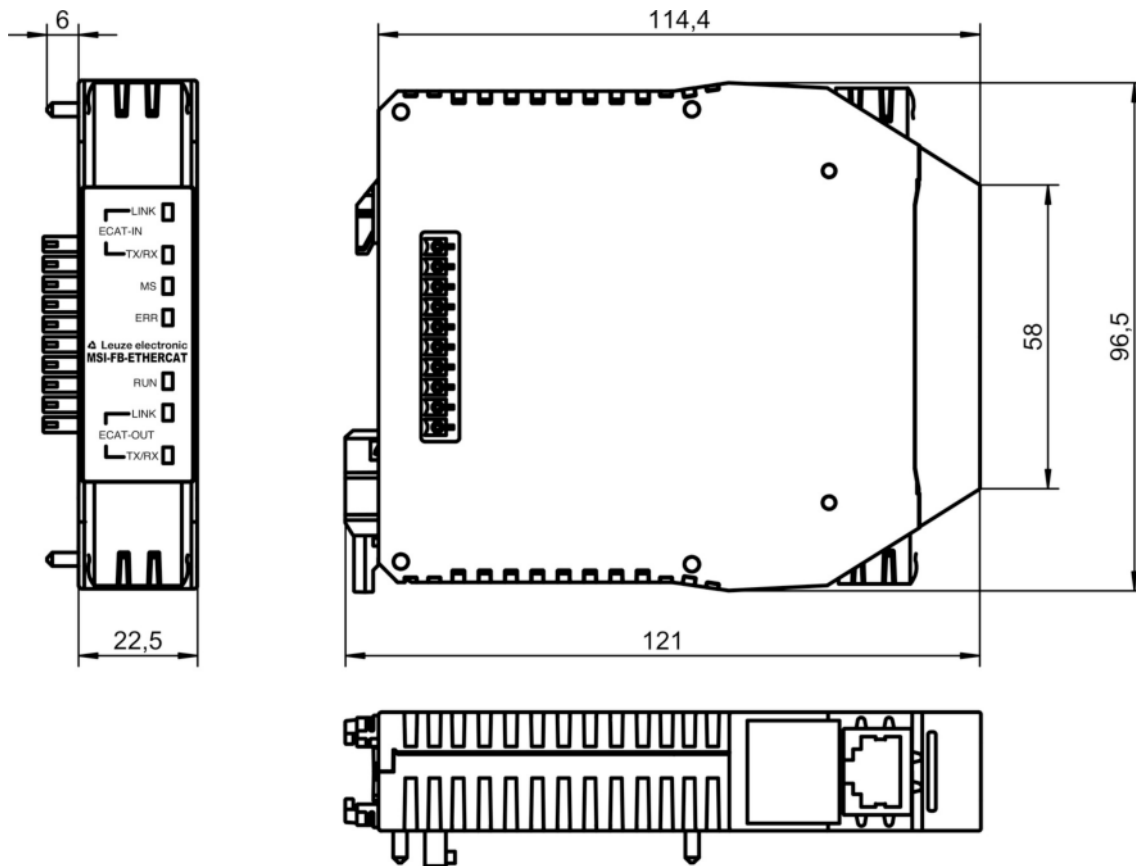
## Technical data

<b>Basic data</b>	
Series	MSI-FB
Application	Transfer of MSI 400 diagnostic data via ETHERCAT
<b>Functions</b>	
Functions	Fieldbus module for the MSI 400 for connecting to ETHERCAT
<b>Electrical data</b>	
<b>Performance data</b>	
Power consumption, max.	2.4 W
<b>Output circuit</b>	
<b>Interface</b>	
Type	Internal bus (SBUS+) , EtherCAT
<b>EtherCAT</b>	
Function	Process
<b>Connection</b>	
Number of connections	2 Piece(s)
<b>Connection 1</b>	
Type of connection	RJ45
Function	BUS IN
<b>Connection 2</b>	
Type of connection	RJ45
Function	BUS OUT
<b>Mechanical data</b>	
Dimension (W x H x L)	22.5 mm x 96.5 mm x 121 mm
Net weight	120 g
Housing color	Gray
Type of fastening	Snap-on mounting
<b>Environmental data</b>	
Ambient temperature, operation	-25 ... 55 °C
Ambient temperature, storage	-25 ... 70 °C
Relative humidity (non-condensing)	10 ... 95 %
<b>Certifications</b>	
Degree of protection	IP 20
Certifications	c UL US
Vibration resistance	5 ... 150 Hz
Test procedure for oscillation in accordance with standard	EN 60068-2-6
Shock resistance, single shock	30 g, 11 ms, EN 60068-2-27
Shock resistance, continuous shock	10 g, 16 ms, EN 60068-2-29
<b>Classification</b>	
Customs tariff number	85371091

eCl@ss 8.0	27242208
eCl@ss 9.0	27242208
ETIM 5.0	EC001423
ETIM 6.0	EC001423

## Dimensioned drawings

All dimensions in millimeters

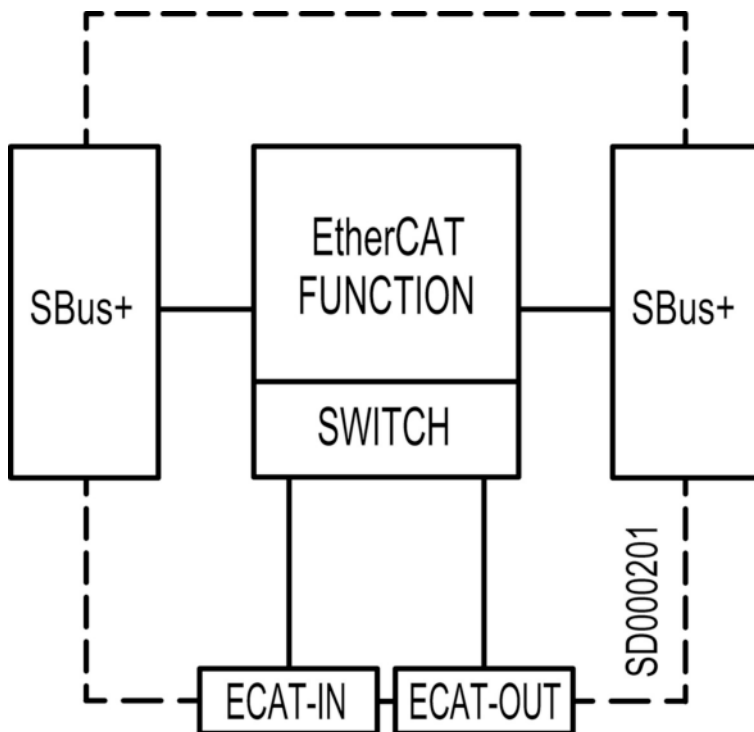


## Electrical connection

Connection 1	
Type of connection	RJ45
Function	BUS IN

Connection 2	
Type of connection	RJ45
Function	BUS OUT

## Circuit diagrams



## Notes

### Observe intended use!

- The product may only be put into operation by competent persons.
- Only use the product in accordance with its intended use.