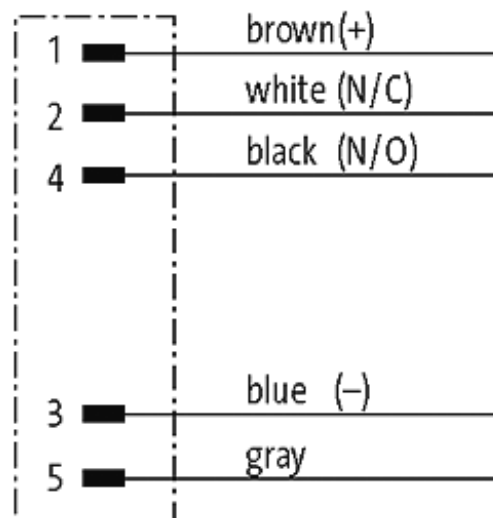
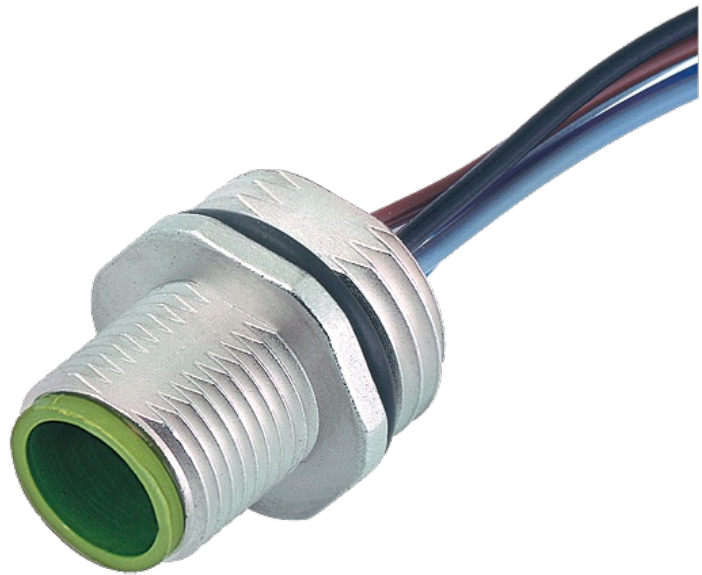


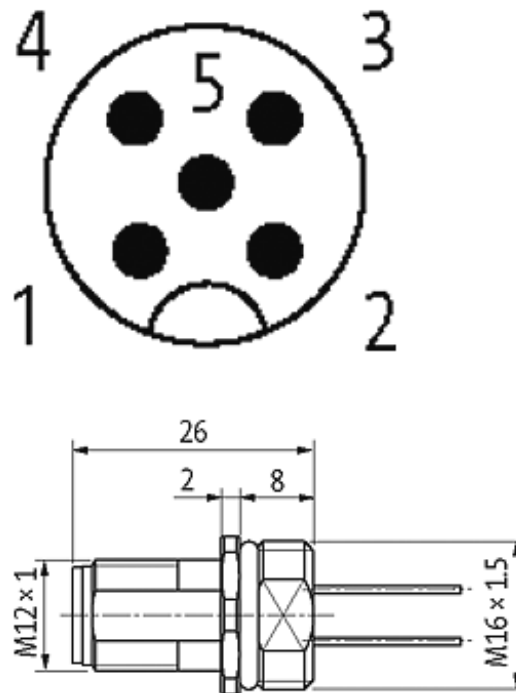
**M12 MALE FLANGE PLUG A CODED FRONT MOUNT**

PP-wires 5X0.34 1m

Flange M12 male  
5-pole  
Front mounting  
with multi-strand wire  
Stainless Steel 1.4305 (V2A)

[Link to Product](#)**Illustration**

## Male



Product may differ from Image

**Form**

13521

**Technical Data**

Operating voltage	max. 125 V AC/DC
Operating current per contact	max. 4 A
Locking of ports	Screw thread M12 × 1 mm (recommended torque 0.6 Nm) self-securing
Protection	IP67 inserted and tightened (EN 60529)
Locking material	Stainless Steel 1.4305 (V2A)

**Cables**

Cable number	972
No./diameter of wires	5 × 0.34 mm <sup>2</sup>
Wire isolation	PP (br, wh, bl, bk, gr)
Shore hardness outer jacket	70 ± 5D
Outer diameter	approx. 1.25 mm
Bend radius (fixed)	5 × outer Ø
Bend radius (moving)	10 × outer Ø
Temperature range (fixed)	-40...+80 °C
Temperature range (mobile)	-25...+80 °C

**General data**

Temperature range -25...+85 °C

**Commercial data**

country of origin DE

customs tariff number 85444290

minimum order quantity 1