

## NG 10 RECTIFIER UNIT 1-PHASE

IN: 29VAC OUT: 24V/10A

INPUT: max. 29 V AC

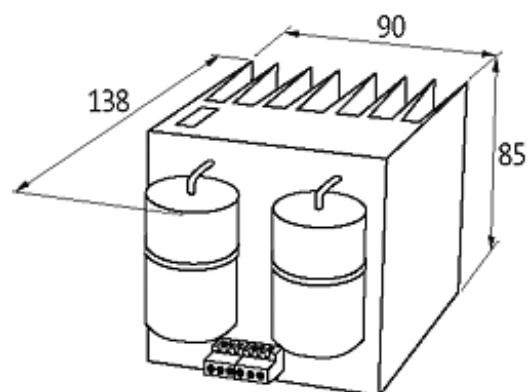
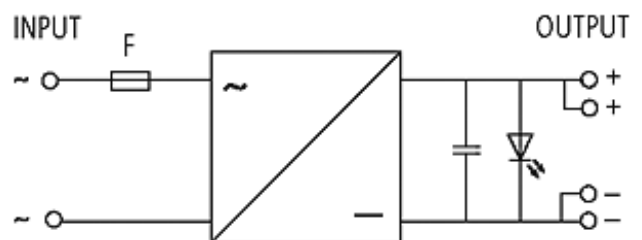
OUTPUT: 24 V DC

Output rating: 240 W

Current: max. 10 A

### [Link to Product](#)

#### Illustration



Product may differ from image

Product may differ from image

### Input

Input voltage	max. 29 V AC
Input current	max. 10 A
Frequency	50...60 Hz (or as additional smoothing for DC)
Input fuse (external)	16 A (T), 5 × 20 mm

### General data

Mounting method	DIN-rail mountable TH35 (EN 60715)
Temperature range	-20...+60 °C

### Output

Output voltage	U-IN × 1.16/max. 39 V DC
Output current	max. 10 A
Ripple	max. 5 %rms
Output filter	smoothed with smoothing capacitor and LED

### Commercial data

country of origin	CZ
customs tariff number	85044082
minimum order quantity	1