

SITOR FUSE SWITCH DISCONNECTOR 14X51, UP TO 50 A, 690 V AC



Figure similar

Model		
product brand name		SENTRON
Design of the operating mechanism		others
General technical data		
Number of poles		1
Size of fuse link		Other
Protection class		
Protection class IP / on the front		Other
Electricity		
Continuous current / Rated value	A	50
Main circuit		
Operating voltage / with AC / Rated value / maximum	V	690
Suitability		
<b>Suitability for use</b>		
• Main switch		No
• switch disconnecter		Yes
• EMERGENCY OFF switch		No
• safety switch		Yes
Product function		
Product function / fuse monitoring		No
Short circuit		
Conditional short-circuit current (I <sub>q</sub> ) / Rated value	kA	100

## Connections

Type of electrical connection / for main current circuit      screw-type terminals

## Mechanical Design

**Height**      mm      69

**Depth**      mm      95.5

### Mounting type

- floor mounting      No
- front mounting      Yes
- rail mounting      No

## General Product Approval

## Declaration of Conformity



CCC



CSA



GOST



UL



EG-Konf.

## Further information

### Information- and Downloadcenter (Catalogs, Brochures,...)

<http://www.siemens.com/lowvoltage/catalogs>

### Industry Mall (Online ordering system)

<https://eb.automation.siemens.com/mall/en/WW/Catalog/Product/3NC1491>

### Service&Support (Manuals, Certificates, Characteristics, FAQs,...)

<http://support.automation.siemens.com/WW/view/en/3NC1491/all>

### Image database (product images, 2D dimension drawings, 3D models, device circuit diagrams, ...)

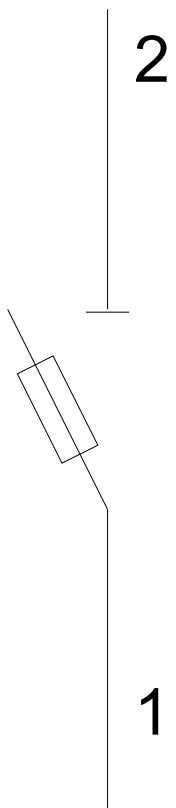
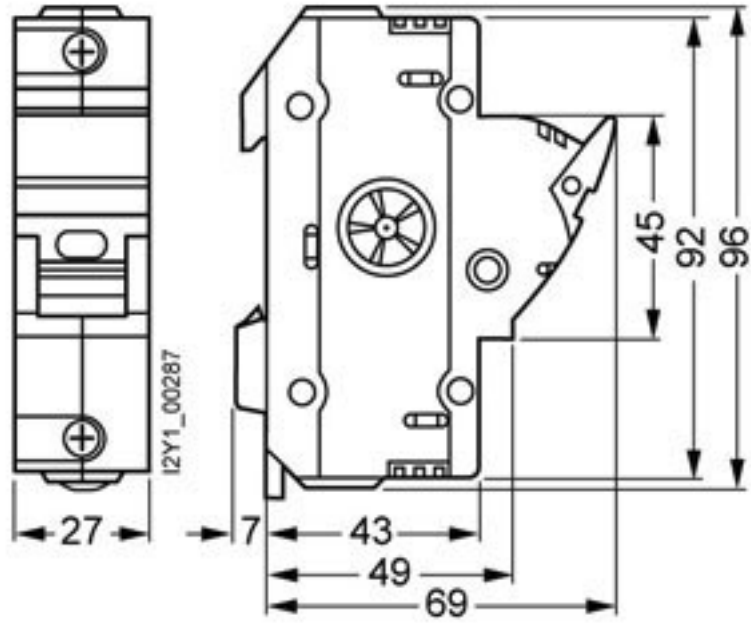
[http://www.automation.siemens.com/bilddb/cax\\_en.aspx?mfb=3NC1491](http://www.automation.siemens.com/bilddb/cax_en.aspx?mfb=3NC1491)

### CAX-Online-Generator

<http://www.siemens.com/cax>

### Tender specifications

<http://ausschreibungstexte.siemens.com/tiplv>



last modified:

11.03.2015