



BASIC SWITCH ROUNDED PLUNGER METAL ENCLOSURE, ACC. TO EN50047, ASISAFE INTEGRATED AS-I STATUS:1:F-IN1 , 2:F-IN2 3:AS-I/FAULT SNAP-ACTION CONTACTS 2NC, WITH M12 CONNECTOR 4-POLE CHANNEL 1 ON NC,CHANNEL 2 ON NC

Figure similar

| | | |
|--|--|------------------------------------|
| Product designation | | basic switch with ASIsafe |
| Manufacturer article number | | |
| <ul style="list-style-type: none"> of the supplied basic switch | | 3SF1214-1LC05-1BA1 |

General technical data:

| | | |
|--|----|--------------|
| Product function | | |
| <ul style="list-style-type: none"> positive opening | | Yes |
| Insulation voltage | | |
| <ul style="list-style-type: none"> Rated value | V | 30 |
| Degree of pollution | | class 3 |
| Shock resistance | | 30g / 11 ms |
| Vibration resistance | | 0.35 mm / 5g |
| Surge voltage resistance Rated value | kV | 0.8 |
| Mechanical service life (switching cycles) | | |
| <ul style="list-style-type: none"> typical | | 15 000 000 |
| Protection class IP | | IP66/IP67 |
| Equipment marking | | |
| <ul style="list-style-type: none"> acc. to DIN EN 61346-2 acc. to DIN EN 81346-2 | | B B |
| Active principle | | mechanical |
| Repeat accuracy | mm | 0.1 |
| Minimum actuating force in activation direction | N | 20 |

Enclosure:

| | | |
|----------------------------------|--|----------------------------|
| Design of the housing | | block, narrow |
| Material of the enclosure | | metal |
| Coating of the enclosure | | cathodic immersion coating |

| | | |
|--|--|-----|
| Design of the housing acc. to standard | | Yes |
|--|--|-----|

Drive Head:

| | | |
|-----------------------------------|--|------------------|
| Design of the operating mechanism | | teflon plunger |
| Design of the switching function | | positive opening |

Connections/ Terminals:

| | | |
|-------------------------------|--|-------------------------|
| Type of electrical connection | | M12 plug, fixed, 4-pole |
|-------------------------------|--|-------------------------|

Mechanical data:

| | | |
|------------------------------|--|--|
| Design of plug-in connection | | M12 plug, 4-pole: Pin 1 = ASI+ , Pin 2 = not assigned, Pin 3= ASI-, Pin 4 = not assigned |
|------------------------------|--|--|

Ambient conditions:

| | | |
|----------------------------|----|-------------|
| Ambient temperature | | |
| • during operation | °C | -25 ... +60 |
| • during storage | °C | -40 ... +80 |

Supply voltage:

| | | |
|--|---|----|
| Type of voltage of the supply voltage | | |
| • of the optional LED indicator | | DC |
| Supply voltage | | |
| • of LED | V | 24 |

Installation/ mounting/ dimensions:

| | | |
|-------------------|--|--------------|
| mounting position | | any |
| Mounting type | | screw fixing |

Certificates/ approvals:

| | | |
|---------------------------------|----------------------------------|--------------------------|
| General Product Approval | Declaration of Conformity | Test Certificates |
|---------------------------------|----------------------------------|--------------------------|



[Special Test Certificate](#)

Further information

Information- and Downloadcenter (Catalogs, Brochures,...)

<http://www.siemens.com/industrial-controls/catalogs>

Industry Mall (Online ordering system)

<http://www.siemens.com/industrymall>

Cax online generator

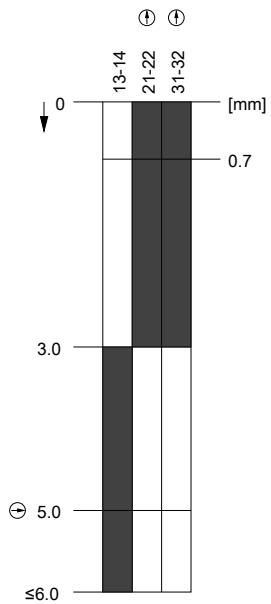
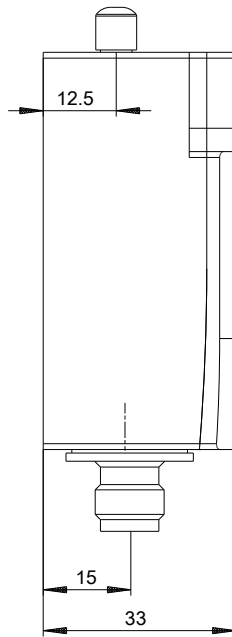
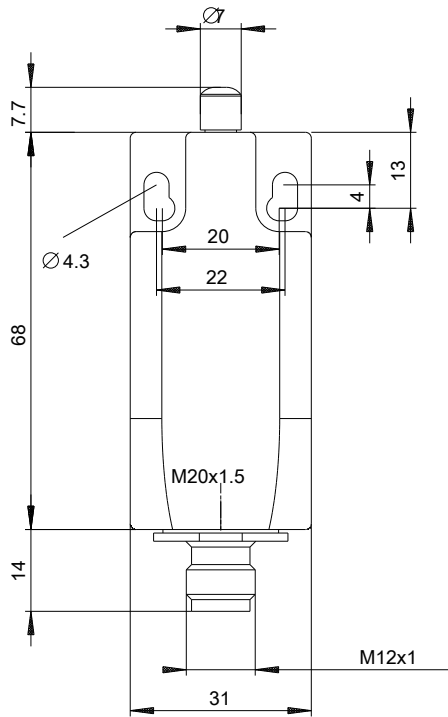
<http://support.automation.siemens.com/WW/CAXorder/default.aspx?lang=en&mlfb=3SF12141LC051BA1>

Service&Support (Manuals, Certificates, Characteristics, FAQs,...)

<http://support.automation.siemens.com/WW/view/en/3SF12141LC051BA1/all>

Image database (product images, 2D dimension drawings, 3D models, device circuit diagrams, EPLAN macros, ...)

http://www.automation.siemens.com/bilddb/cax_de.aspx?mlfb=3SF12141LC051BA1&lang=en



last modified:

09.03.2015