

Lightning current measuring system - LM-S-A/C-3S-ETH - 2800618

Please be informed that the data shown in this PDF Document is generated from our Online Catalog. Please find the complete data in the user's documentation. Our General Terms of Use for Downloads are valid (<http://phoenixcontact.com/download>)




Evaluation unit for the live monitoring system for the continuous detection and evaluation of lightning strikes. Up to three optical lightning sensors can be connected.

Your advantages

- Complete module including O/E module for connecting up to three LM-S sensors
- Mounting on a DIN rail
- Evaluation and storage of sensor data
- Realtime analysis and exact point of time allocation
- Status and diagnostic indicators
- Communication via Ethernet
- Operation and configuration via web interface



Key Commercial Data

Packing unit	1 pc
GTIN	 4 046356 615297
GTIN	4046356615297
Weight per Piece (excluding packing)	1,370.000 g
Custom tariff number	85437090
Country of origin	Germany

Technical data

Dimensions

Height	185 mm
Width	77.6 mm
Depth	181.5 mm

Ambient conditions

Ambient temperature (operation)	-30 °C ... 60 °C
Ambient temperature (storage/transport)	-40 °C ... 85 °C

Lightning current measuring system - LM-S-A/C-3S-ETH - 2800618

Technical data

Ambient conditions

Permissible humidity (operation)	30 % ... 95 % (non-condensing)
Permissible humidity (storage/transport)	30 % ... 95 % (non-condensing)
Altitude	≤ 4000 m (amsl (above mean sea level))

General

Housing material	Stainless steel 1.4016
Mounting type	DIN rail: 35 mm
Type	DIN rail module, one-piece

Typical characteristics

Interface	Ethernet
Number	1
Connection method	RJ45
Transmission speed	10/100 Mbps
Interface	O/E module
Number of ports	3
Connection method	Rack for plug-in I/O module
Basic functions	Evaluation and communication of sensor data
Operation	Via web interface, Modbus, OPC-UA
Maximum storable data records	500
Operating voltage	24 V DC ±4 V
Operating current	max. 500 mA
Detectable values (current strength)	5 kA ... 400 kA
Interface	Fiber optic interface
Connection method	B-FOC (ST®)
Number of ports	3

Remote indication contact

Switching function	N/C contact, 1-pos.
Connection method	M12 D-coded
Maximum operating voltage U_{max} DC	60 V DC

Standards and Regulations

Standards/specifications	EN 61326-1 2013
--------------------------	-----------------

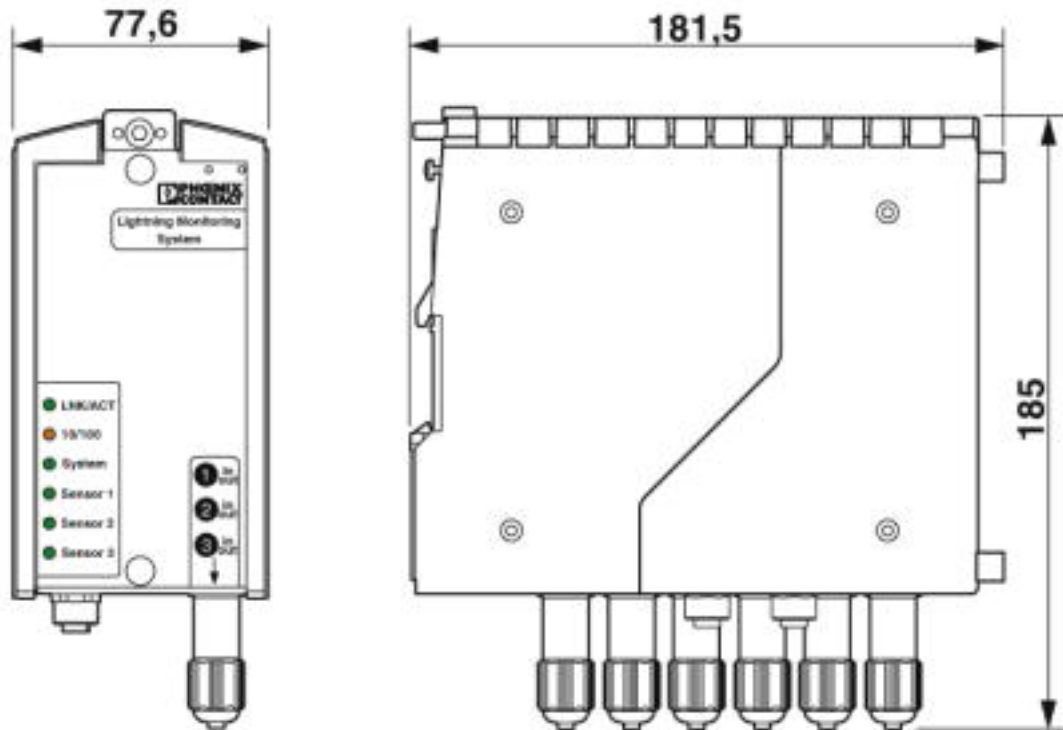
Environmental Product Compliance

REACH SVHC	Lead 7439-92-1
China RoHS	Environmentally Friendly Use Period = 50
	For details about hazardous substances go to tab "Downloads", Category "Manufacturer's declaration"

Drawings

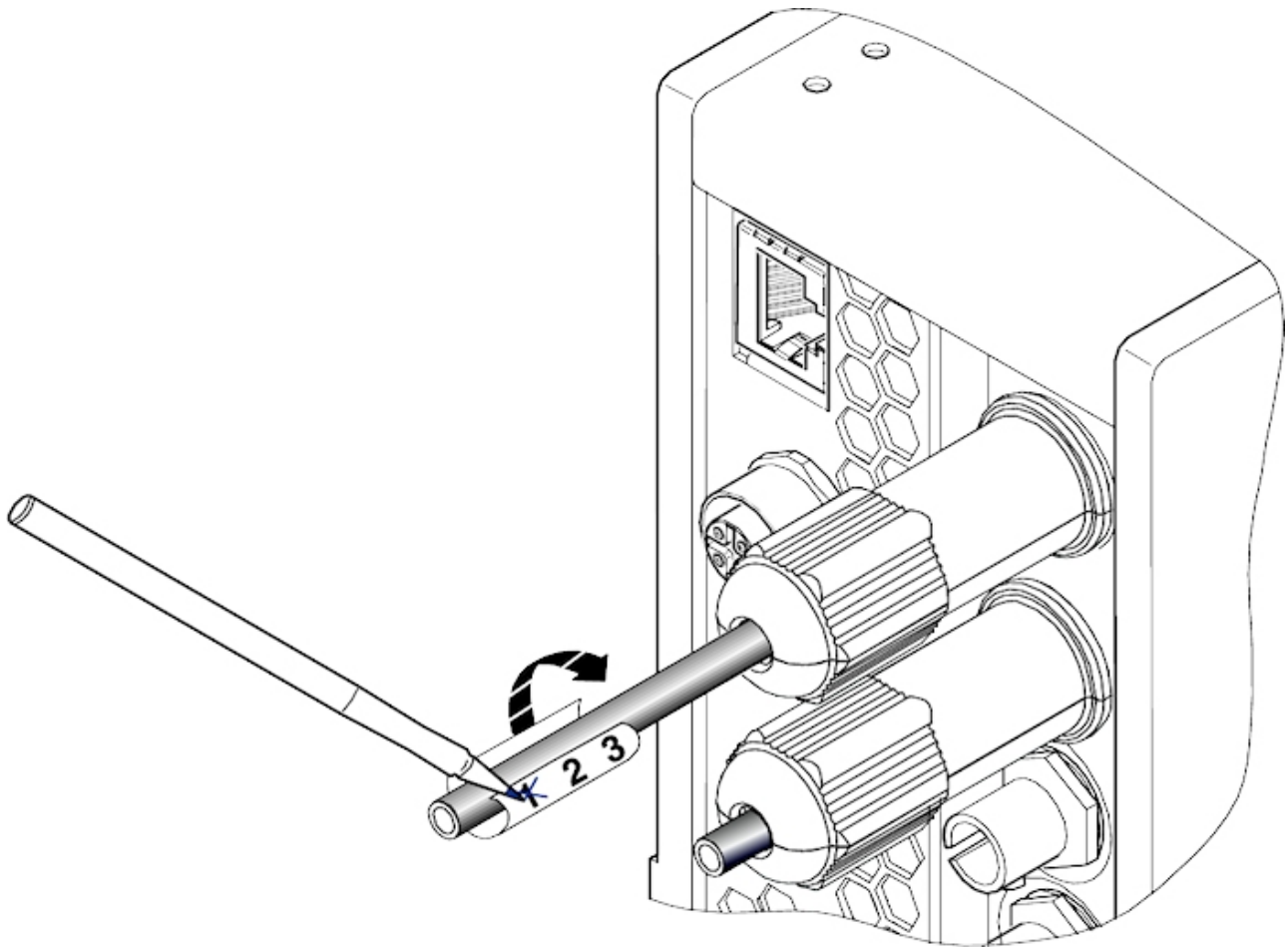
Lightning current measuring system - LM-S-A/C-3S-ETH - 2800618

Dimensional drawing



Lightning current measuring system - LM-S-A/C-3S-ETH - 2800618

Schematic diagram



Marking of the connecting cable

Classifications

eCl@ss

eCl@ss 4.0	27378000
------------	----------

Lightning current measuring system - LM-S-A/C-3S-ETH - 2800618

Classifications

eCl@ss

eCl@ss 4.1	27378000
eCl@ss 5.0	27379100
eCl@ss 5.1	27379100
eCl@ss 6.0	27201100
eCl@ss 7.0	27201114
eCl@ss 8.0	27201114
eCl@ss 9.0	27201124

ETIM

ETIM 3.0	EC001505
ETIM 4.0	EC002498
ETIM 5.0	EC002498
ETIM 6.0	EC002965
ETIM 7.0	EC002965

UNSPSC

UNSPSC 6.01	30211501
UNSPSC 7.0901	39121019
UNSPSC 11	39121006
UNSPSC 12.01	39121610
UNSPSC 13.2	39131505
UNSPSC 18.0	39121621
UNSPSC 19.0	39121621
UNSPSC 20.0	39121621
UNSPSC 21.0	39121621

Accessories

Accessories

Socket spanner

Screwdriver - SF-THEX 4-150 - 1212640



T-handle screwdriver, for Allen screws, hexagonal (with chamfer), size: hex 4 x 150 mm, ergonomically shaped handle, matt chrome-plated

Lightning current measuring system - LM-S-A/C-3S-ETH - 2800618

Accessories

FO accessories - FOC-TOOL-FERRULECLEANER-2.50 - 1407029



2.50 mm ferrule cleaner, for ST, SC, FC, E2000 (also APC), approx. 500 cleaning cycles

Necessary add-on products

Lightning current measuring system - LM-S-LS-H - 2800616



Optical lightning sensor for the live monitoring system for the continuous detection and evaluation of lightning strikes. IP67 protection.

FO patch cable - FOC-ST:A-SJ:C-HB02/10 PR - 1423846



Assembled FO cable, PROFINET cable type B, 200/230 µm PCF fiber, SC-RJ/IP67 push-pull metal housing to BFOC(ST)/IP20, PVC outer sheath, halogen-free, ozone and UV-resistant, in conduit, for fixed indoor installation, length: 10 m

FO patch cable - FOC-SJ:14-ST/.../.../... - 1417723



Assembled FO cable, PROFINET cable type B, 200/230 µm PCF fiber, SC-RJ/IP67 push-pull metal housing to BFOC(ST)/IP20, PVC outer sheath, halogen-free, ozone and UV resistant, for fixed indoor installation, variable length

FO patch cable - FOC-ST:A-SJ:C-HB02/13 PR - 1426160



Assembled FO cable, PROFINET cable type B, 200/230 µm PCF fiber, SC-RJ/IP67 push-pull metal housing to BFOC(ST)/IP20, PVC outer sheath, halogen-free, ozone and UV-resistant, in conduit, for fixed indoor installation, length: 13 m

Additional products

Lightning current measuring system - LM-S-A/C-3S-ETH - 2800618

Accessories

Assembly adapters - LM-S-UWA - 2907466



Universal wall adapter for the easy and professional mounting of the LM-S evaluation unit directly on the wall/on a mounting plate.

Spare parts

Lightning current measuring system - LM-S-C-3LS - 2800617



O/E module for live monitoring system for the continuous detection and evaluation of lightning strikes.
