

Resistor Binder Kit

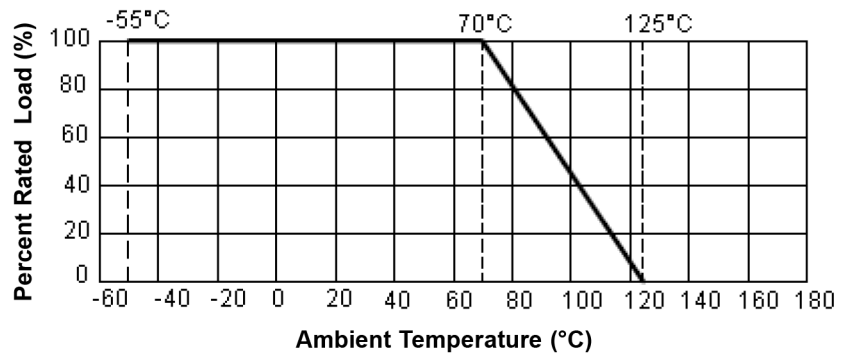
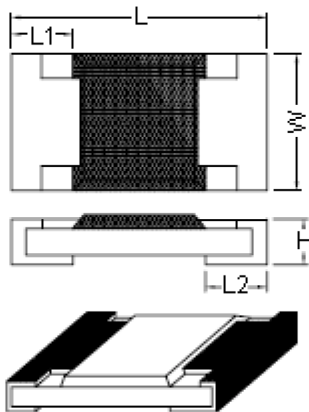
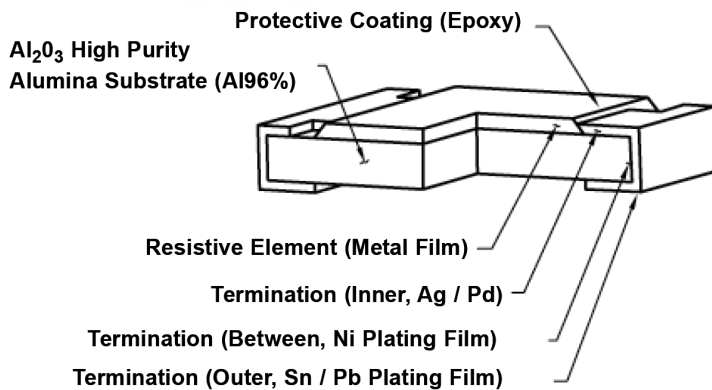


**RoHS
Compliant**



Specifications:

Temperature Range : -55°C to +125°C
 Ambient Temperature : 70°C
 Tolerance : ±1%
 Value Range : E-24 Series, 100 each of 121 values (see chart)



Specification Table:

Case Size	Power Rating at 70°C (W)	Max. Working Voltage (V)	Max. Overload Voltage (V)	Dimensions				
				L (mm)	W (mm)	H (mm)	L1 (mm)	L2 (mm)
0402	0.0625	25	50	1 ±0.1	0.5 ±0.05	0.35 ±0.05	0.2 ±0.1	0.25 ±0.1



Resistor Binder Kit



Kitting Order Description : 0402 1% E 24 series (121 values)

No.	Value	No.	Value	No.	Value	No.	Value	No.	Value
1	10E	25	1K	49	100K	73	91E	97	9K1
2	12E	26	1K2	50	120K	74	110E	98	11K
3	15E	27	1K5	51	150K	75	130E	99	13K
4	18E	28	1K8	52	180K	76	160E	100	16K
5	22E	29	2K2	53	220K	77	200E	101	20K
6	27E	30	2K7	54	270K	78	240E	102	24K
7	33E	31	3K3	55	330K	79	300E	103	30K
8	39E	32	3K9	56	390K	80	360E	104	36K
9	47E	33	4K7	57	470K	81	430E	105	43K
10	56E	34	5K6	58	560K	82	510E	106	51K
11	68E	35	6K8	59	680K	83	620E	107	62K
12	82E	36	8K2	60	820K	84	750E	108	75K
13	100E	37	10K	61	1M	85	910E	109	91K
14	120E	38	12K	62	0E	86	1K1	110	110K
15	150E	39	15K	63	11E	87	1K3	111	130K
16	180E	40	18K	64	16E	88	1K6	112	160K
17	220E	41	22K	65	20E	89	2K	113	200K
18	270E	42	27K	66	24E	90	2K4	114	240K
19	330E	43	33K	67	30E	91	3K	115	300K
20	390E	44	39K	68	36E	92	3K6	116	360K
21	470E	45	47K	69	43E	93	4K3	117	430K
22	560E	46	56K	70	51E	94	5K1	118	510K
23	680E	47	68K	71	62E	95	6K2	119	620K
24	820E	48	82K	72	75E	96	7K5	120	750K
								121	910K

Part Number Table

Description	Part Number
Resistor Kit, 10E to 910K, 0402	MC0402WGFE024KIL

Important Notice : This data sheet and its contents (the "Information") belong to the members of the Premier Farnell group of companies (the "Group") or are licensed to it. No licence is granted for the use of it other than for information purposes in connection with the products to which it relates. No licence of any intellectual property rights is granted. The Information is subject to change without notice and replaces all data sheets previously supplied. The Information supplied is believed to be accurate but the Group assumes no responsibility for its accuracy or completeness, any error in or omission from it or for any use made of it. Users of this data sheet should check for themselves the Information and the suitability of the products for their purpose and not make any assumptions based on information included or omitted. Liability for loss or damage resulting from any reliance on the Information or use of it (including liability resulting from negligence or where the Group was aware of the possibility of such loss or damage arising) is excluded. This will not operate to limit or restrict the Group's liability for death or personal injury resulting from its negligence. Multicomp is the registered trademark of the Group. © Premier Farnell plc 2012.

