

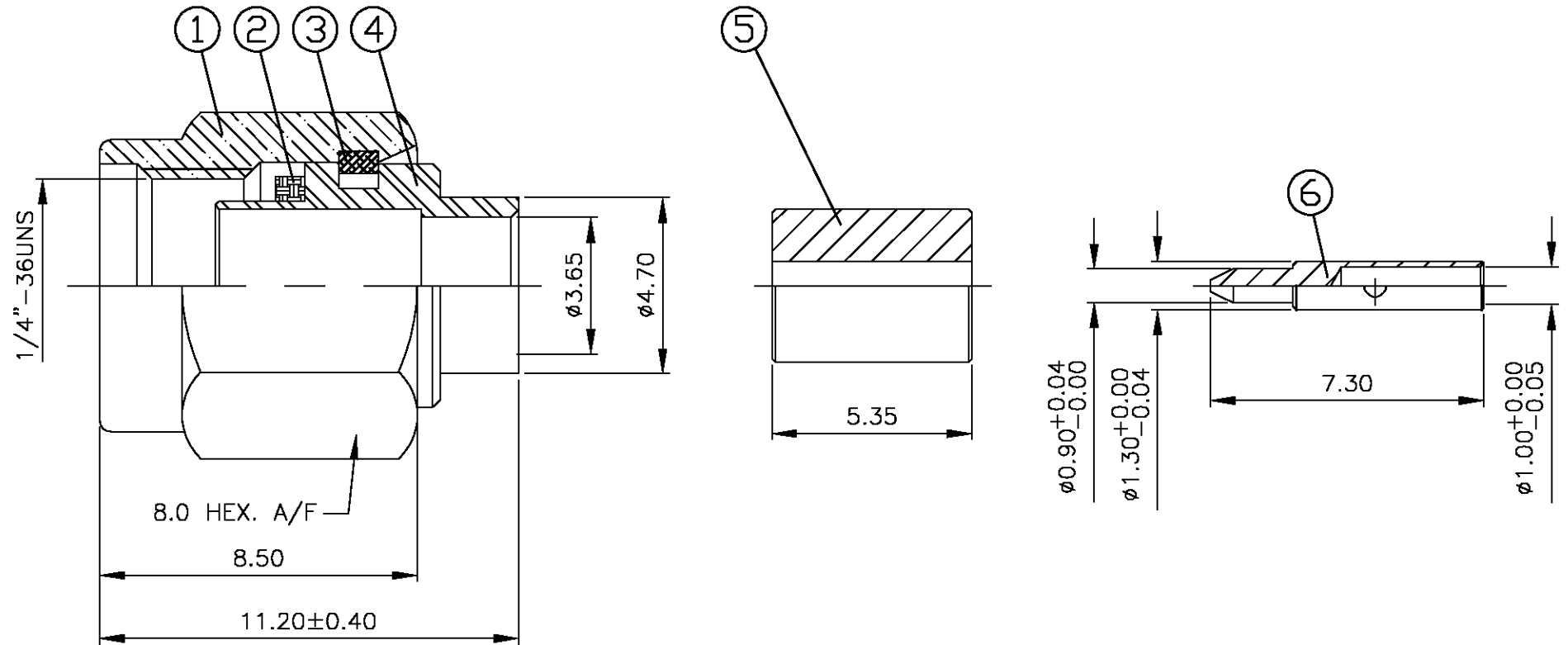
THIS DRAWING IS UNPUBLISHED. RELEASED FOR PUBLICATION APRIL, 2004.

© COPYRIGHT 2004 BY TYCO ELECTRONICS CORPORATION. ALL RIGHTS RESERVED.

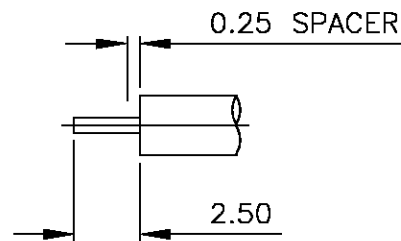
LOC E	DIST B	P	LTR A	REVISIONS DESCRIPTION EBD0-0035-03	DATE 28JAN04	DWN RS	APVD FWK
----------	-----------	---	----------	--	-----------------	-----------	-------------

NOTES:

- ① SINGLE PACK IN ACCORDANCE WITH SPEC 107-3275
- ② 100 TRAY PACK IN ACCORDANCE WITH SPEC 107-3275
- ③ 0.08µm Au PLATING OVER 1.27µm Ni PLATING
- ④ 0.08µm Au PLATING OVER 1.27µm Ni PLATING OVER 0.76µm Cu PLATING
- ⑤ 0.76µm Au PLATING OVER 1.27µm Ni PLATING OVER 0.76µm Cu PLATING
- ⑥ PASSIVATED (GOLD PLATED CABLE ENTRY)
- 7 FOR TECHNICAL DATA REFER TO YOUR LOCAL TYCO ELECTRONICS SALES OFFICE
- 8 ALL DIMENSIONS ARE NOMINAL FOR REFERENCE ONLY UNLESS OTHERWISE STATED



RECOMMENDED CABLE STRIPPING DIM'S



	1	1	1	1	1	1	1	BRASS	⑤	CENTER CONTACT	6	
	1	1	1	1	1	1	1	PTFE		INSULATOR	5	
	1	1	-	-	-	-	-	BRASS	④	BODY	4	
	-	-	1	1	-	-	-	STAINLESS STEEL	⑥	BODY	4	
	-	-	-	-	1	1	-	STAINLESS STEEL	③	BODY	4	
	1	1	1	1	1	1	1	STAINLESS STEEL		CIRCLIP	3	
	1	1	1	1	1	1	1	SILICON		GASKET	2	
	1	1	-	-	-	-	-	BRASS	④	SHELL	1	
	-	-	1	1	-	-	-	STAINLESS STEEL	⑥	SHELL	1	
	-	-	-	-	1	1	-	STAINLESS STEEL	③	SHELL	1	
	3--1	3--0	2--1	2--0	1--1	1--0		MATERIAL		DESCRIPTION	ITEM	
	②	①	②	①	②	①						
	QUANTITY PER ASSY						PARTS LIST					

THIS DRAWING IS A CONTROLLED DOCUMENT.		DWN R.SMITH 28JAN04	Tyco Electronics Corporation Bideford, UK, EX39 4HE	
DIMENSIONS: mm		CHK S.PARLOW 28JAN04	NAME	
		APVD F.WHEELER-KING 28JAN04	SMA STRAIGHT PLUG DIRECT SOLDER NON CAPTIVE CENTRE CONTACT RG402/U	
TOLERANCES UNLESS OTHERWISE SPECIFIED:		PRODUCT SPEC 108-3460	SIZE A3	CAGE CODE 00779
0 PLC ± - 1 PLC ± - 2 PLC ± - 3 PLC ± - 4 PLC ± - ANGLES ± - MATERIAL SEE TABLE FINISH -		APPLICATION SPEC 411-3276	DRAWING NO C=1478903	RESTRICTED TO -
		WEIGHT -	SCALE 1:1 SHEET 1 OF 1 REV A	
		CUSTOMER DRAWING		