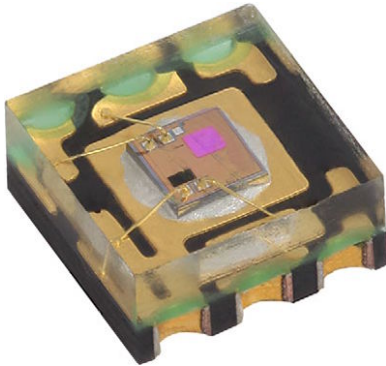


## Low Power, High Sensitivity, I<sup>2</sup>C Ambient Light Sensor



### DESCRIPTION

VEML3235 is an advanced ambient light sensor with I<sup>2</sup>C protocol interface and is designed by the CMOS process. It is easy to operate via a simple I<sup>2</sup>C command.

VEML3235 incorporates a photodiode, amplifiers, and analog circuits in a single chip. The best spectral sensitivity is used to closely capture real human eye responses. VEML3235 has excellent temperature compensation and the robust refresh rate setting does not need an external RC low pass filter. Software shutdown mode is provided, which reduces power consumption to be less than 1  $\mu$ A. VEML3235's operating voltage ranges from 2.6 V to 3.6 V. VEML3235 can detect a wide range of ambient light power.

### FEATURES

- Package type: surface-mount
- Dimensions (L x W x H in mm): 2 x 2 x 0.87
- Integrated modules: ambient light sensor (ALS)
- Supply voltage range V<sub>DD</sub>: 2.6 V to 3.6 V
- Communication via I<sup>2</sup>C interface
- I<sup>2</sup>C bus H-level range: 1.7 V to 3.6 V
- Floor life: 168 h, MSL 3, according to J-STD-020
- Low stand by current consumption: typ. 1  $\mu$ A
- Material categorization: for definitions of compliance please see [www.vishay.com/doc?99912](http://www.vishay.com/doc?99912)



### APPLICATIONS

- Handheld device
- Notebook
- Consumer device
- Industrial and medical application
- Computing, and industrial devices and displays

### AMBIENT LIGHT FUNCTION

- High ALS sensitivity with minimum detectable intensity of 0.0021 lux/cnt supports low transmittance lens design
- Excellent temperature compensation
- High dynamic detection resolution
- Software shutdown mode control

PRODUCT SUMMARY						
PART NUMBER	OPERATING VOLTAGE RANGE (V)	I <sup>2</sup> C BUS VOLTAGE RANGE (V)	AMBIENT LIGHT RANGE (lx)	AMBIENT LIGHT RESOLUTION (lx)	OUTPUT CODE	ADC RESOLUTION PROXIMITY / AMBIENT LIGHT
VEML3235	2.6 to 3.6	1.7 to 3.6	0.0021 to 17 867	0.0021	16 bit, I <sup>2</sup> C	- / 16 bit

ORDERING INFORMATION			
ORDERING CODE	PACKAGING	VOLUME <sup>(1)</sup>	REMARKS
VEML3235	Tape and reel	MOQ: 3000	2.00 mm x 2.00 mm x 0.87 mm

#### Note

<sup>(1)</sup> MOQ: minimum order quantity

<b>ABSOLUTE MAXIMUM RATINGS</b> ( $T_{amb} = 25\text{ }^{\circ}\text{C}$ , unless otherwise specified)					
PARAMETER	TEST CONDITION	SYMBOL	MIN.	MAX.	UNIT
Supply voltage		$V_{DD}$	0	4	V
Operation temperature range		$T_{amb}$	-25	+85	$^{\circ}\text{C}$
Storage temperature range		$T_{stg}$	-25	+85	$^{\circ}\text{C}$

<b>BASIC CHARACTERISTICS</b> ( $T_{amb} = 25\text{ }^{\circ}\text{C}$ , unless otherwise specified)						
PARAMETER	TEST CONDITION	SYMBOL	MIN.	TYP.	MAX.	UNIT
Supply voltage		$V_{DD}$	2.6	3.3	3.6	V
Shut down current <sup>(1)</sup>	$V_{DD}$ is 3.3 V	$I_{sd}$	-	1	-	$\mu\text{A}$
Supply current <sup>(1)</sup>	$V_{DD}$ is 3.3 V	$I_{DD}$	-	250	-	$\mu\text{A}$
I <sup>2</sup> C clock rate range		$f_{SCL}$	10	-	400	kHz
I <sup>2</sup> C bus input H-level range	$V_{DD}$ is 3.3 V	$V_{ih}$	1.2	-	-	V
I <sup>2</sup> C bus input L-level range	$V_{DD}$ is 3.3 V	$V_{il}$	0	-	0.4	V
Digital resolution (LSB count) <sup>(2)</sup>	With DG = x 2, Gain = x 4		-	0.0021	-	lx/step
Detectable minimum illuminance <sup>(2)</sup>	With DG = x 2, Gain = x 4	$E_{V\ min.}$	-	0.0021	-	lx
Detectable maximum illuminance <sup>(3)</sup>	With DG = x 1, Gain = x 1	$E_{V\ max.}$	-	17 867	-	lx

**Notes**

- (1)  $V_{DD} = 3.3\text{ V}$ , temperature:  $25\text{ }^{\circ}\text{C}$
- (2)  $IT = 800\text{ ms}$
- (3)  $IT = 50\text{ ms}$

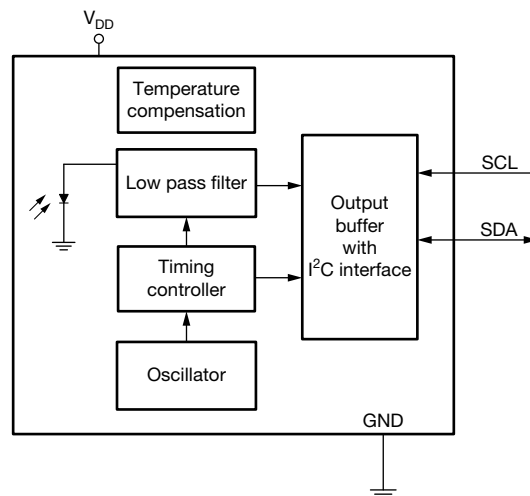
**CIRCUIT BLOCK DIAGRAM**


Fig. 1 - Block Diagram

<b>I<sup>2</sup>C TIMING CHARACTERISTICS</b> ( $T_{amb} = 25\text{ }^{\circ}\text{C}$ , unless otherwise specified)						
PARAMETER	SYMBOL	STANDARD MODE <sup>(1)</sup>		FAST MODE <sup>(1)</sup>		UNIT
		MIN.	MAX.	MIN.	MAX.	
Clock frequency	$f_{(SMBCLK)}$	10	100	10	400	kHz
Bus free time between start and stop condition	$t_{(BUF)}$	4.7	-	1.3	-	$\mu\text{s}$
Hold time after (repeated) start condition; after this period, the first clock is generated	$t_{(HDSTA)}$	4.0	-	0.6	-	$\mu\text{s}$
Repeated start condition setup time	$t_{(SUSTA)}$	4.7	-	0.6	-	$\mu\text{s}$
Stop condition setup time	$t_{(SUSTO)}$	4.0	-	0.6	-	$\mu\text{s}$
Data hold time	$t_{(HDDAT)}$	-	3450	-	900	ns
Data setup time	$t_{(SUDAT)}$	250	-	100	-	ns
I <sup>2</sup> C clock (SCL) low period	$t_{(LOW)}$	4.7	-	1.3	-	$\mu\text{s}$
I <sup>2</sup> C clock (SCL) high period	$t_{(HIGH)}$	4.0	-	0.6	-	$\mu\text{s}$
Clock / data fall time	$t_{(F)}$	-	300	-	300	ns
Clock / data rise time	$t_{(R)}$	-	1000	-	300	ns

**Note**

<sup>(1)</sup> Data based on standard I<sup>2</sup>C protocol requirement, not tested in production

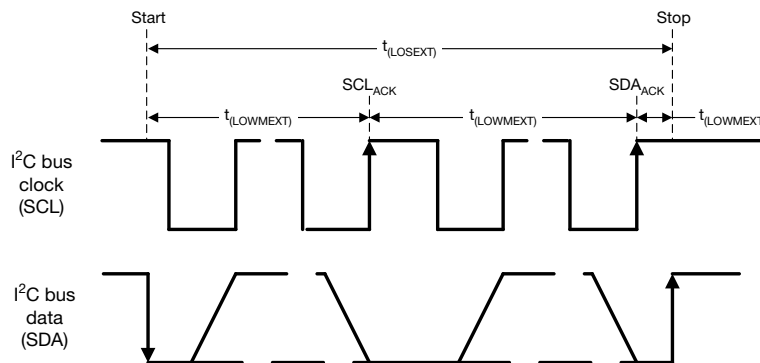
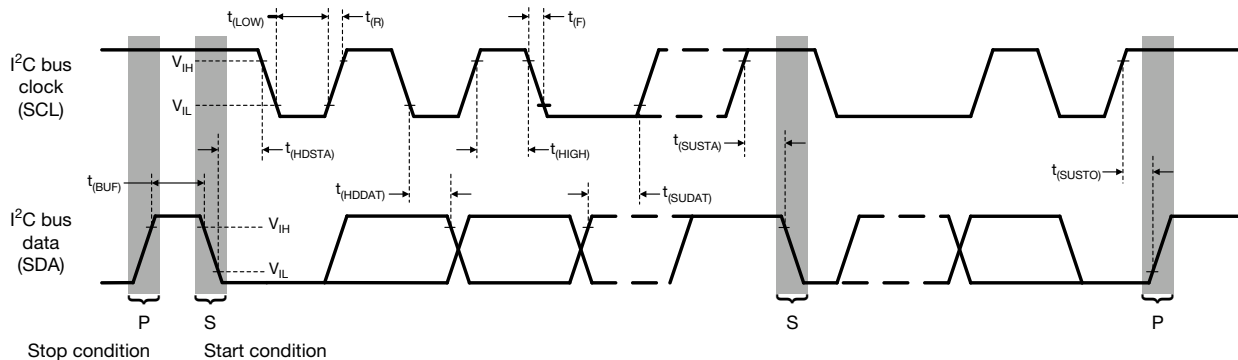


Fig. 2 - I<sup>2</sup>C Timing Diagram

**PARAMETER TIMING INFORMATION**

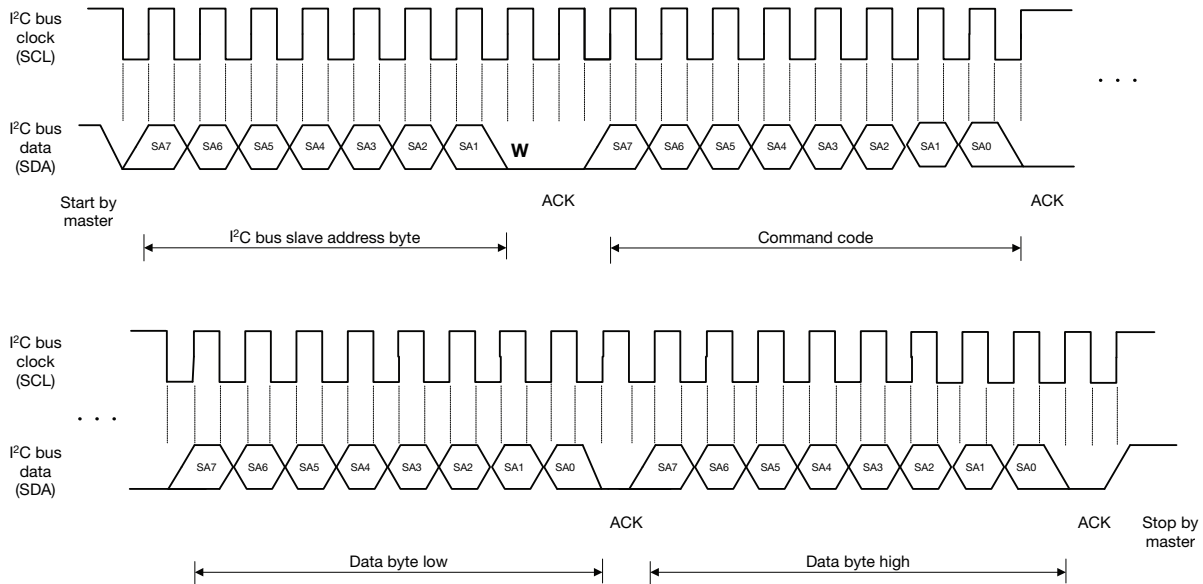


Fig. 3 - I<sup>2</sup>C Bus Timing for Sending Word Command Format

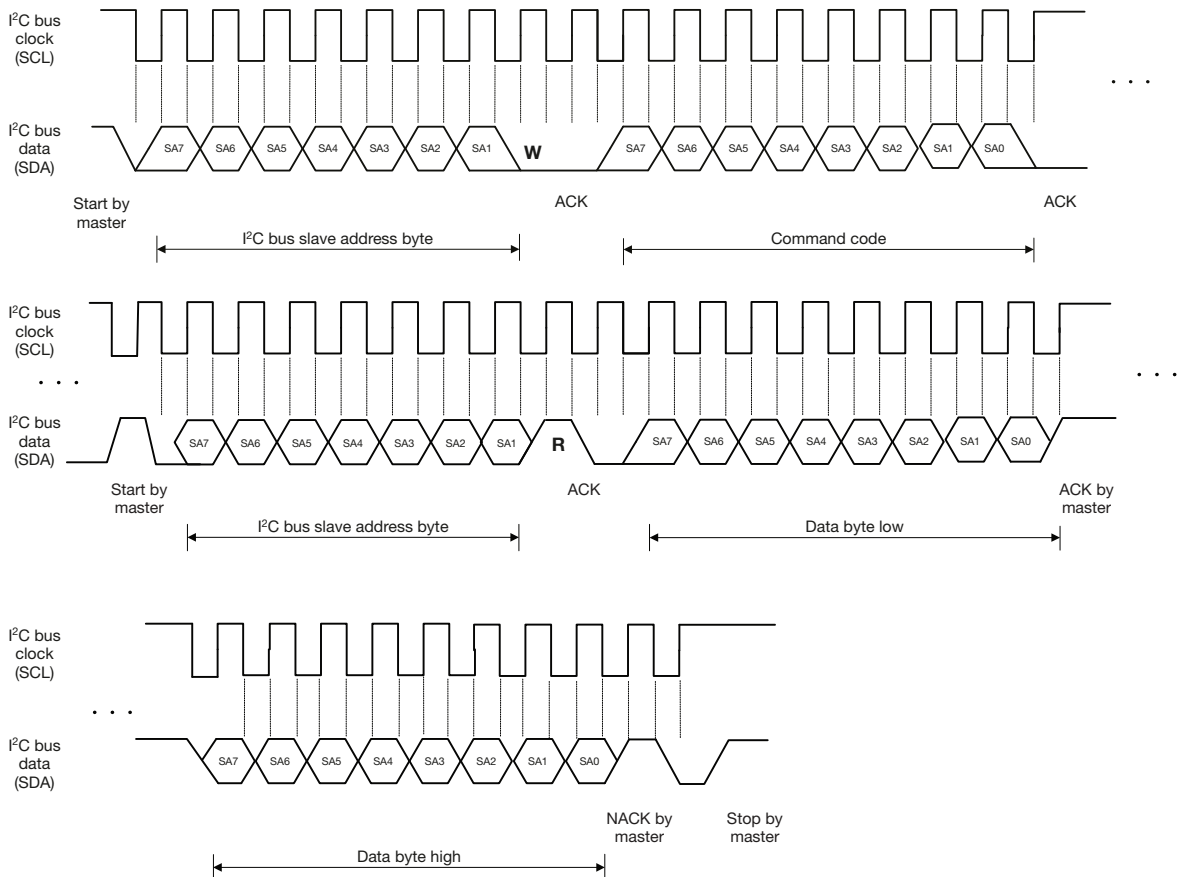


Fig. 4 - I<sup>2</sup>C Bus Timing for Receive Word Command Format

**BASIC CHARACTERISTICS** ( $T_{amb} = 25\text{ }^{\circ}\text{C}$ , unless otherwise specified)

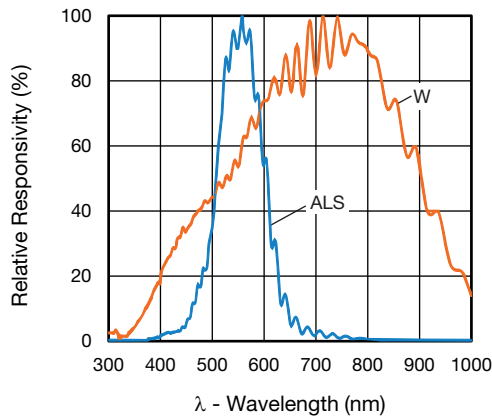


Fig. 5 - Normalized Spectral Response

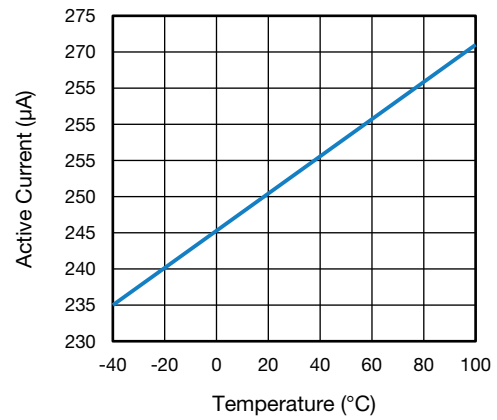


Fig. 7 -  $I_{DD}$  vs. Temperature Characteristics

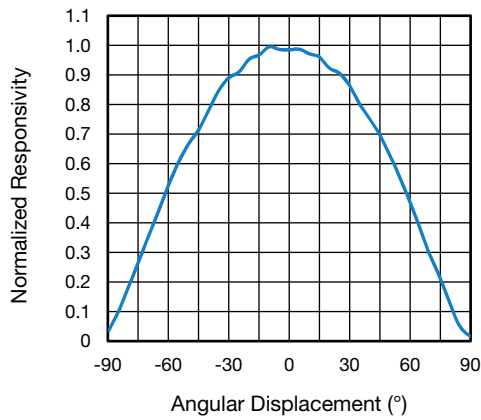


Fig. 6 - View Angle

**APPLICATION INFORMATION**

**1. Pin Connection With the Host**

VEML3235 is a cost effective solution with I<sup>2</sup>C interface. The standard serial digital interface easily accesses “light intensity” without using complex calculations and programming by an external controller.

The additional capacitor near the V<sub>DD</sub> pin in the circuit is used for power supply noise rejection. The value is recommended at 0.1 μF. The pull-high resistors for the I<sup>2</sup>C bus design are recommended to be 2.2 kΩ.

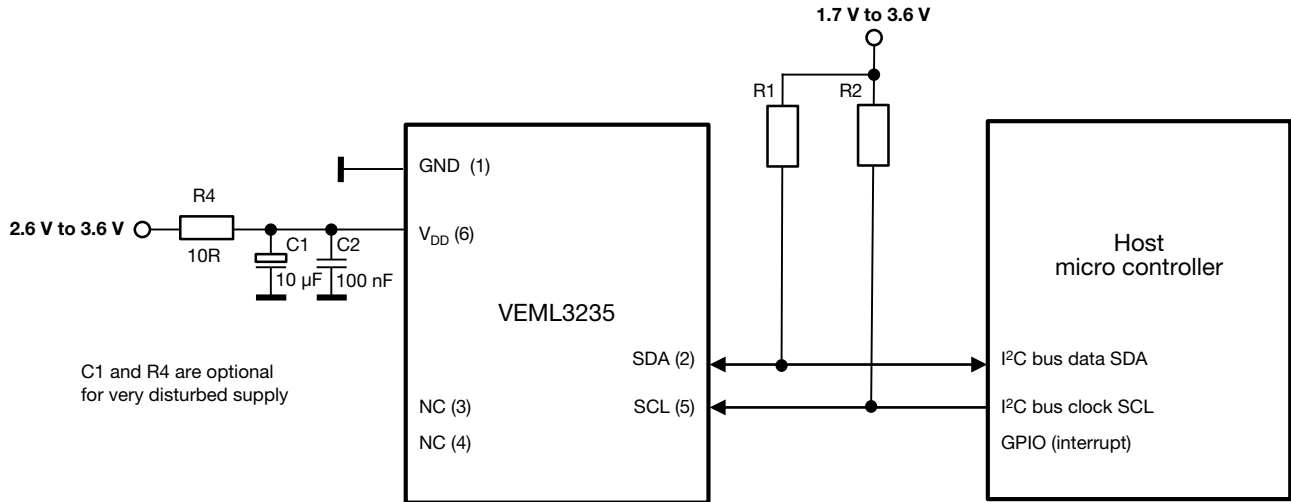


Fig. 8 - Hardware Pin Connection Diagram (Slave Address 0x10)

**Digital Interface**

VEML3235 contains a command register written via the I<sup>2</sup>C bus. All operations can be controlled by the command register. The simple command structure allows the user to easily program the operation setting and latch the light data from VEML3235. VEML3235’s I<sup>2</sup>C command format description for read and write operations between VEML3235 and the host is shown in Fig. 9. The white areas indicate the host activity and the gray areas indicate VEML3235’s acknowledgement of the host access activity.

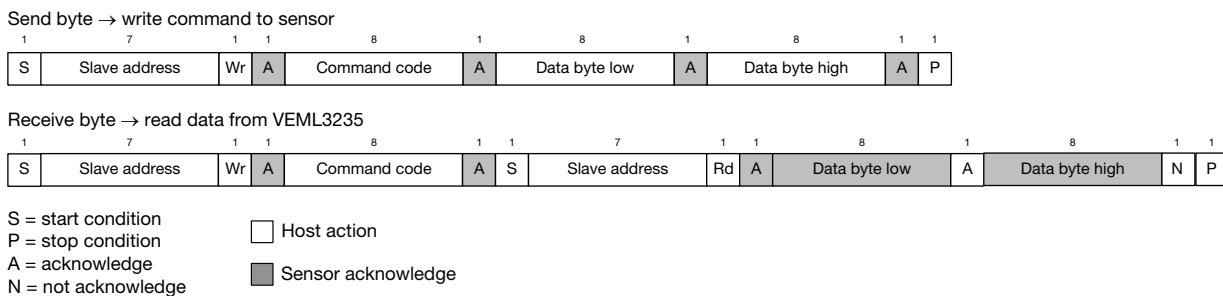


Fig. 9 - Command Protocol Format



**Command Register Format**

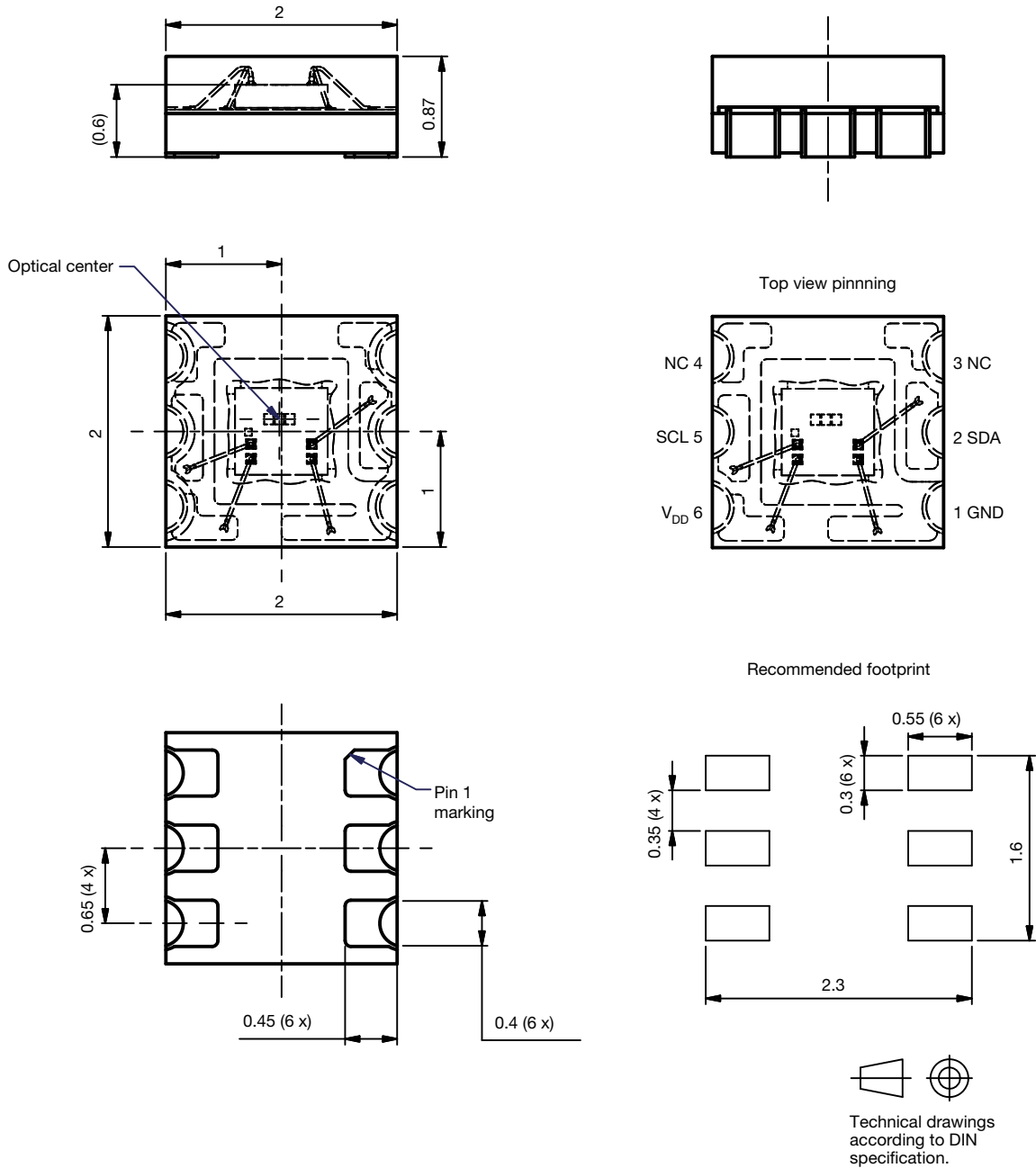
VEML3235 uses 0x10 slave address for 7-bit I<sup>2</sup>C addressing protocol. VEML3235 has 16-bit resolution for each channel (ALS and W).

TABLE 1 - COMMAND CODE DESCRIPTION					
COMMAND CODE	REGISTER NAME	DATE BYTE LOW / HIGH	BIT	FUNCTION DESCRIPTION	R / W
0x00	Reserved	L	7	Set 0	R / W
	ALS/W_IT		6 : 4	ALS/W integration time setting (0 : 0 : 0) = 50 ms (0 : 0 : 1) = 100 ms (0 : 1 : 0) = 200 ms (0 : 1 : 1) = 400 ms (1 : 0 : 0) = 800 ms	
	AF		3	Auto / manual force mode	
	TRIG		2	0 = trigger not active, 1 = triggers a single measurement cycle	
	Reserved		1	Set 0	
	SD		0	Shutdown BG and LDO with SD = 1 (default)	
	SD0	H	7	Shutdown ALS and white channel with SD0 = 1 (default)	
	Reserved		6	Set 0	
	DG		5	0 = x 1, 1 = x 2	
	Gain		4 : 3	(0 : 0) = x 1 (0 : 1) = x 2 (1 : 0) = reserved (1 : 1) = x 4	
	Reserved		2 : 1	Set 0	
	Reserved		0	Set 1	
0x02	Reserved	L	7 : 0	Set 0	R / W
	Reserved	H	7 : 0	Set 0	
0x04	W_LSB	L	7 : 0	W LSB data	R
	W_MSB	H	7 : 0	W MSB data	
0x05	ALS_LSB	L	7 : 0	ALS LSB data	
	ALS_MSB	H	7 : 0	ALS MSB data	
0x09	ID_L	L	7 : 0	ID part number: 3235 = 0011 0101	
	Reserved	H	7 : 0	Reserved	





**PACKAGE INFORMATION** in millimeters



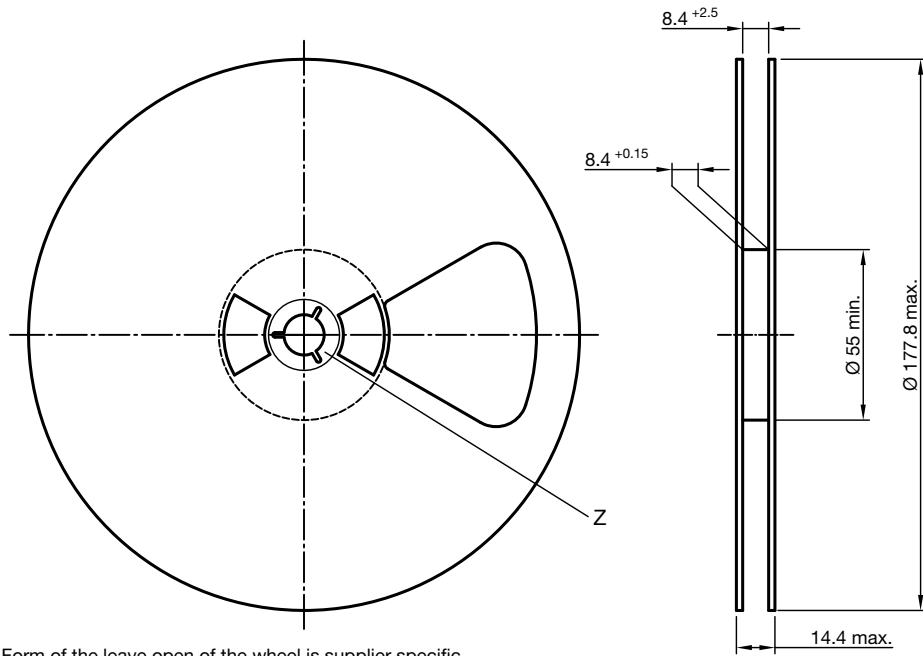
Drawing No.: AK-20.0014.00  
Issue: preliminary 28.02.2019

Not indicated tolerances ± 0.1

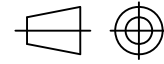
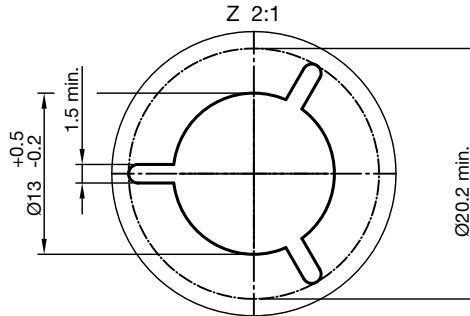
Fig. 10 - VEML3235 A3OZ Package Dimensions



TAPE AND REEL DIMENSIONS in millimeters



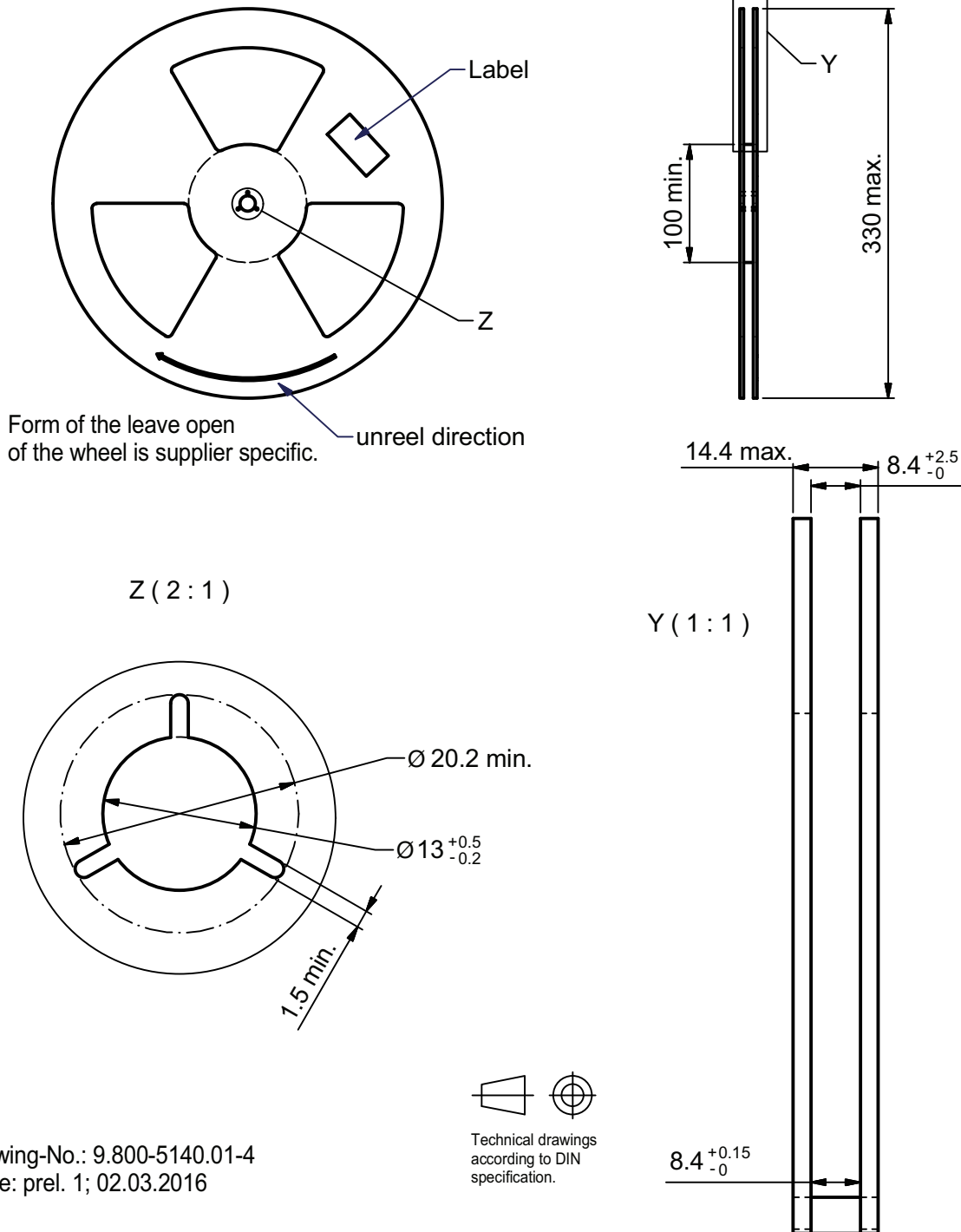
Form of the leave open of the wheel is supplier specific.



Technical drawings according to DIN specification.

Drawing-No.: 9.800-5096.01-4  
Issue: 5; 20.12.2016

Fig. 11 - 7" Reel, 3000 Pieces



Drawing-No.: 9.800-5140.01-4  
Issue: prel. 1; 02.03.2016

Fig. 12 - 13" Reel, 10 000 Pieces





RECOMMENDED STORAGE AND REBAKING CONDITIONS				
PARAMETER	CONDITIONS	MIN.	MAX.	UNIT
Storage temperature		5	50	°C
Relative humidity		-	60	%
Open time		-	168	h
Total time	From the date code on the aluminized envelope (unopened)	-	12	months
Rebaking	Tape and reel: 60 °C	-	22	h
	Tube: 60 °C	-	22	h

RECOMMENDED INFRARED REFLOW

Soldering conditions which are based on J-STD-020 C

IR REFLOW PROFILE CONDITION			
PARAMETER	CONDITIONS	TEMPERATURE	TIME
Peak temperature		255 °C + 0 °C / - 5 °C (max.: 260 °C)	10 s
Preheat temperature range and timing		150 °C to 200 °C	60 s to 180 s
Timing within 5 °C to peak temperature		-	10 s to 30 s
Timing maintained above temperature / time		217 °C	60 s to 150 s
Timing from 25 °C to peak temperature		-	8 min (max.)
Ramp-up rate		3 °C/s (max.)	-
Ramp-down rate		6 °C/s (max.)	-

Recommend Normal Solder Reflow is 235 °C to 255 °C

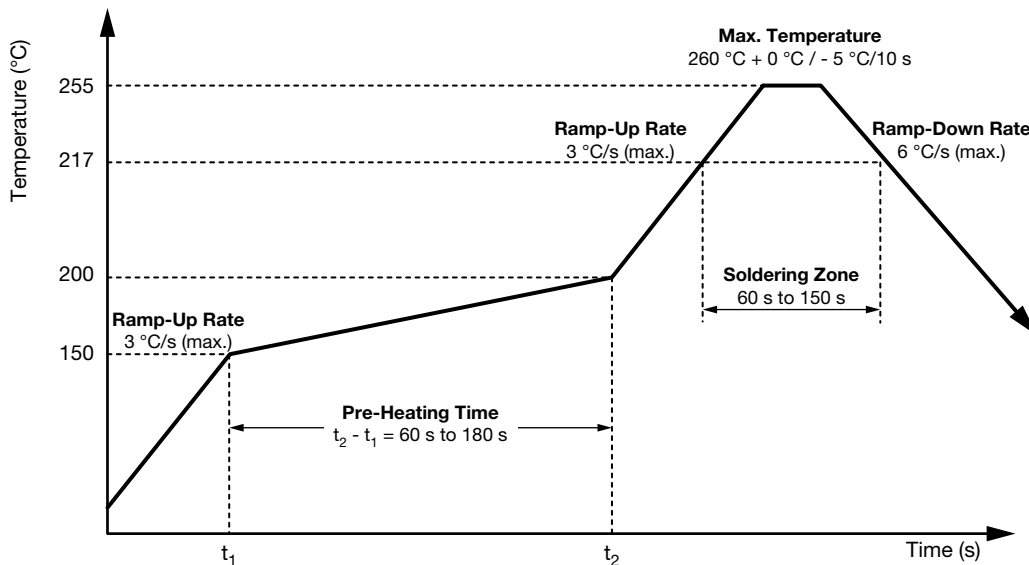


Fig. 14 - VEML3235SL Solder Reflow Profile Chart



**DRYPACK**

Devices are packed in moisture barrier bags (MBB) to prevent the products from moisture absorption during transportation and storage. Each bag contains a desiccant.

**FLOOR LIFE**

Floor life (time between soldering and removing from MBB) must not exceed the time indicated on MBB label:

Floor life: 168 h

Conditions:  $T_{amb} < 30\text{ }^{\circ}\text{C}$ ,  $\text{RH} < 60\text{ }%$

Moisture sensitivity level 3, according to J-STD-020.

**DRYING**

In case of moisture absorption devices should be baked before soldering. Conditions see J-STD-020 or label. Devices taped on reel dry using recommended conditions 192 h at  $40\text{ }^{\circ}\text{C}$  (+  $5\text{ }^{\circ}\text{C}$ ),  $\text{RH} < 5\text{ }%$ .



## **Disclaimer**

ALL PRODUCT, PRODUCT SPECIFICATIONS AND DATA ARE SUBJECT TO CHANGE WITHOUT NOTICE TO IMPROVE RELIABILITY, FUNCTION OR DESIGN OR OTHERWISE.

Vishay Intertechnology, Inc., its affiliates, agents, and employees, and all persons acting on its or their behalf (collectively, "Vishay"), disclaim any and all liability for any errors, inaccuracies or incompleteness contained in any datasheet or in any other disclosure relating to any product.

Vishay makes no warranty, representation or guarantee regarding the suitability of the products for any particular purpose or the continuing production of any product. To the maximum extent permitted by applicable law, Vishay disclaims (i) any and all liability arising out of the application or use of any product, (ii) any and all liability, including without limitation special, consequential or incidental damages, and (iii) any and all implied warranties, including warranties of fitness for particular purpose, non-infringement and merchantability.

Statements regarding the suitability of products for certain types of applications are based on Vishay's knowledge of typical requirements that are often placed on Vishay products in generic applications. Such statements are not binding statements about the suitability of products for a particular application. It is the customer's responsibility to validate that a particular product with the properties described in the product specification is suitable for use in a particular application. Parameters provided in datasheets and / or specifications may vary in different applications and performance may vary over time. All operating parameters, including typical parameters, must be validated for each customer application by the customer's technical experts. Product specifications do not expand or otherwise modify Vishay's terms and conditions of purchase, including but not limited to the warranty expressed therein.

Except as expressly indicated in writing, Vishay products are not designed for use in medical, life-saving, or life-sustaining applications or for any other application in which the failure of the Vishay product could result in personal injury or death. Customers using or selling Vishay products not expressly indicated for use in such applications do so at their own risk. Please contact authorized Vishay personnel to obtain written terms and conditions regarding products designed for such applications.

No license, express or implied, by estoppel or otherwise, to any intellectual property rights is granted by this document or by any conduct of Vishay. Product names and markings noted herein may be trademarks of their respective owners.