



Terminals & Splices > Ring Terminals & Spade Terminals



Wire Size: 20800 – 33100 CMA

Stud Size: 5/16, M8

Stud Diameter: 8.6 mm [.338 in]

Features

Product Type Features

Shape Description	RING-048
Stud Size	5/16, M8
Sealable	No

Configuration Features

Number of Holes	1
Terminal Angle	180 °

Contact Features

Barrel Type	Closed
Terminal Orientation	Straight
Terminal Plating Material	Tin

Mechanical Attachment

Wire Insulation Support	Without
-------------------------	---------

Dimensions

Wire Size	20800 – 33100 CMA
Stud Diameter	8.6 mm [.338 in]
Tongue Thickness	1.5 mm [.059 in]
Product Length	32.5 mm [1.27 in]

Usage Conditions

Insulation Option	Uninsulated
-------------------	-------------

Industry Standards

--	--



Government Qualified Terminal	No
-------------------------------	----

Packaging Features

Packaging Quantity	250
Packaging Method	Box

Product Compliance

[For compliance documentation, visit the product page on TE.com>](#)

EU RoHS Directive 2011/65/EU	Compliant
EU ELV Directive 2000/53/EC	Compliant
China RoHS 2 Directive MIIT Order No 32, 2016	No Restricted Materials Above Threshold
EU REACH Regulation (EC) No. 1907/2006	Current ECHA Candidate List: JAN 2023 (233) Candidate List Declared Against: JAN 2021 (211) Does not contain REACH SVHC
Halogen Content	Low Halogen - Br, Cl, F, I < 900 ppm per homogenous material. Also BFR/CFR/PVC Free
Solder Process Capability	Not applicable for solder process capability

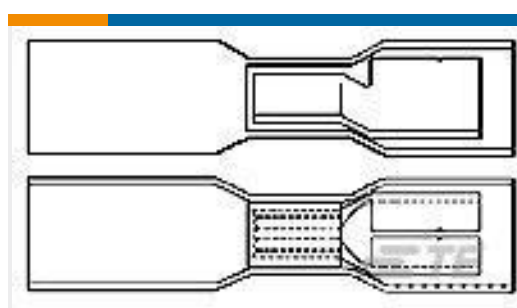
Product Compliance Disclaimer

This information is provided based on reasonable inquiry of our suppliers and represents our current actual knowledge based on the information they provided. This information is subject to change. The part numbers that TE has identified as EU RoHS compliant have a maximum concentration of 0.1% by weight in homogenous materials for lead, hexavalent chromium, mercury, PBB, PBDE, DBP, BBP, DEHP, DIBP, and 0.01% for cadmium, or qualify for an exemption to these limits as defined in the Annexes of Directive 2011/65/EU (RoHS2). Finished electrical and electronic equipment products will be CE marked as required by Directive 2011/65/EU. Components may not be CE marked. Additionally, the part numbers that TE has identified as EU ELV compliant have a maximum concentration of 0.1% by weight in homogenous materials for lead, hexavalent chromium, and mercury, and 0.01% for cadmium, or qualify for an exemption to these limits as defined in the Annexes of Directive 2000/53/EC (ELV). Regarding the REACH Regulation, the information TE provides on SVHC in articles for this part number is based on the latest European Chemicals Agency (ECHA) 'Guidance on requirements for substances in articles' posted at this URL: <https://echa.europa.eu/guidance-documents/guidance-on-reach>

Customers Also Bought



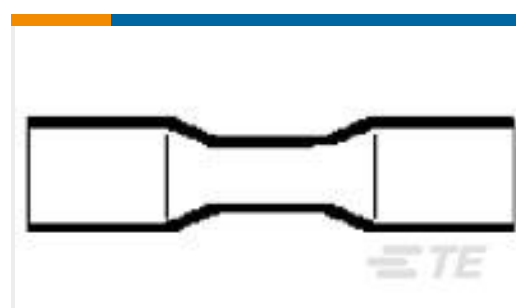
TE Part #CC2648-000
B-106-1603CS50



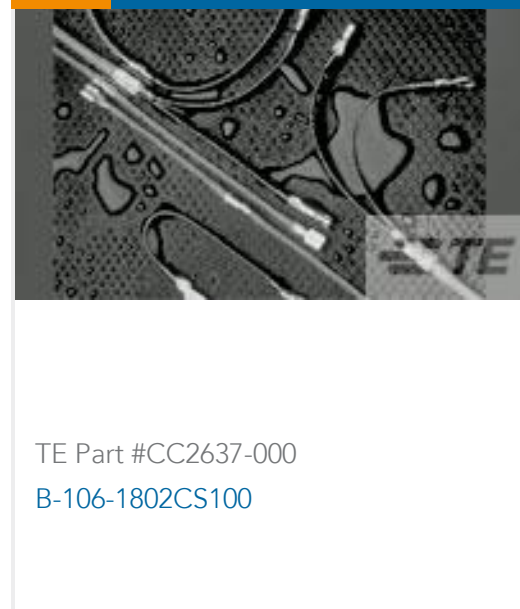
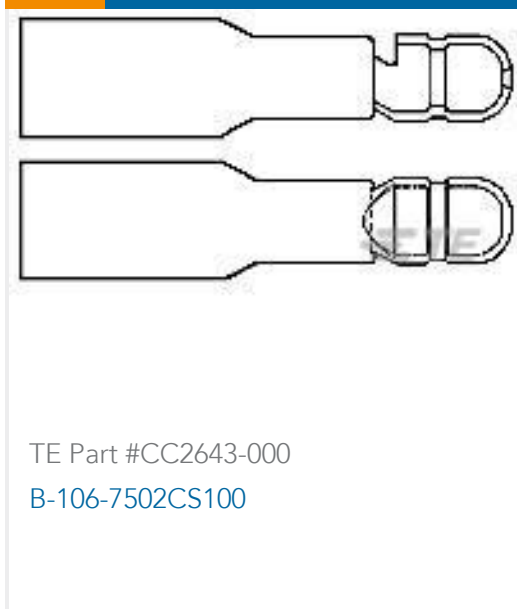
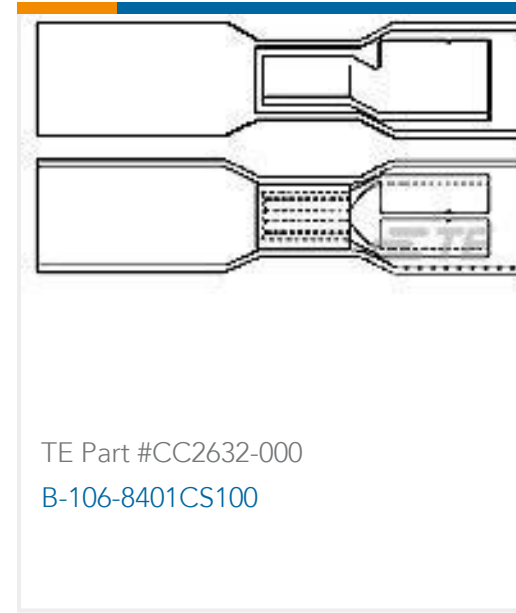
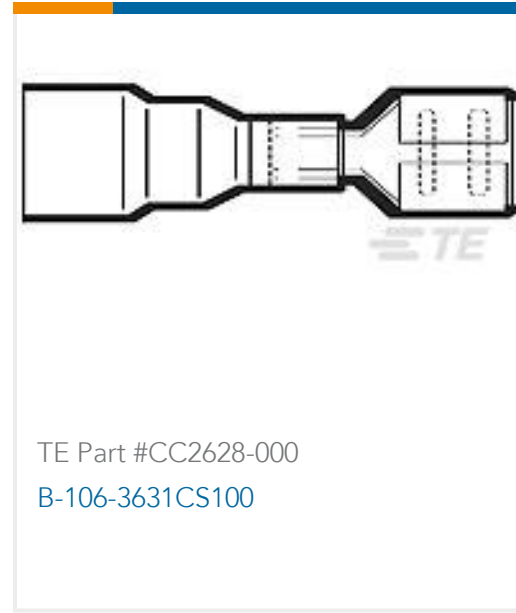
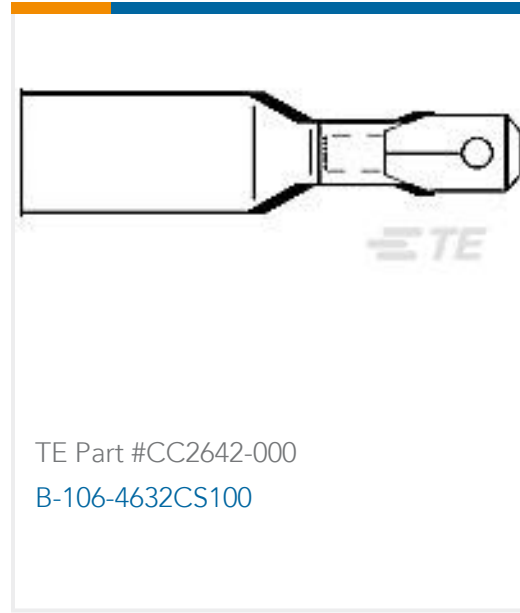
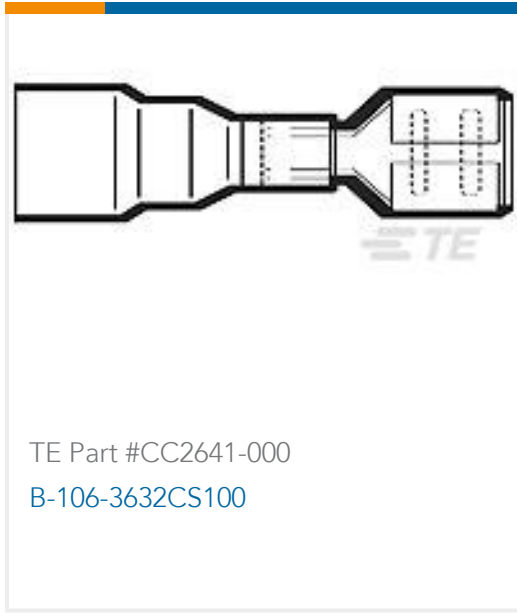
TE Part #CC2644-000
B-106-8502CS100



TE Part #CC2623-000
B-106-1601CS100



TE Part #CC2645-000
D-406-0003CS50



Documents

Product Specifications

[Product Specification](#)

English

SOLISTRAND TERMINALS

English

[Product Specification](#)

English

NON-INSULATED SOLDERLESS SOLISTRAND TERMINAL FOR COPPER WIRE

English

NON-INSULATED SOLDERLESS SOLISTRAND TERMINAL FOR COPPER WIRE

Japanese

[Product Specification](#)

Japanese

Agency Approvals

[UL Report](#)

English