

## Clamping jaw chuck with base plate

**ATORN®**

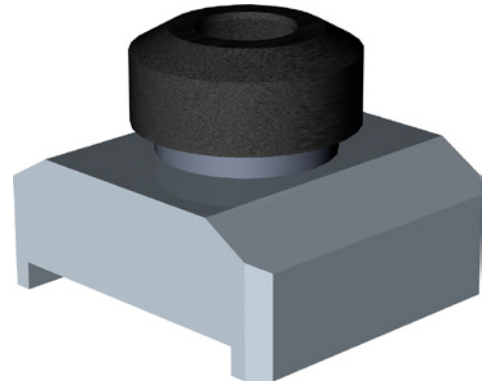
### Application

For clamping round components on the centre clamping device.

### Version

- For collets type ER 40
- Accessories for ref. no. 28790

<b>Art. No.</b>	<b>28790 317</b>
<b>Collet type</b>	ER 40
<b>Min. clamping range</b>	3 mm
<b>Max. clamping range</b>	26 mm



### EAN-Code

4050293192964