



Elektrotechnik Karl-Heinz Mauz GmbH

LSF-S1511K (Artikel-Nr. 106033)

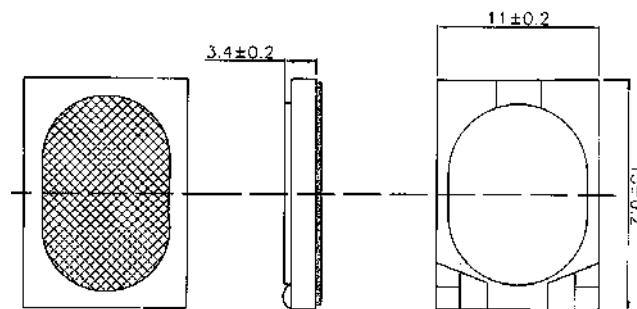
EKULIT

SPECIFICATIONS:

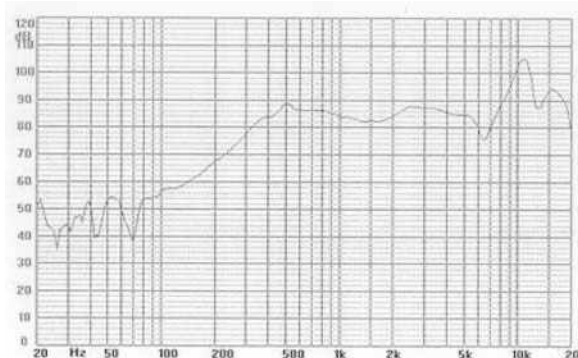
TYPE	UNIT	Speaker
Impedance	Ω	$8\pm 15\%$
Power (Nominal)	W	0.5W
Power (Maximum)	W	1.0W
Resonant Frequency	Hz	$650\pm 20\%$
Sensitivity	dB	85 ± 3
Frequency Range	Hz	fo~20k
Operating Temperature	$^{\circ}\text{C}$	-25~+60
Storage Temperature	$^{\circ}\text{C}$	-30~+70
Weight	g	1.5

DIMENSIONS :

(Unit: mm)



Frequency response:



Adresse: Felix-Wankel-Str. 35 • 73760 Ostfildern/Nellingen

Tel: +49-711/3414023

Fax: +49-711/3414024

E-mail: info@ekulit.de Web site: www.EKULIT.de