

Piezoelectric Switches

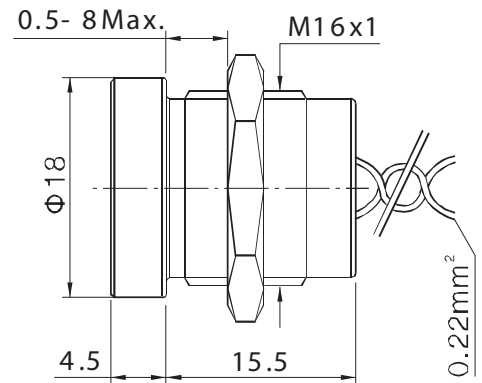
Piezoelectric Switches - Mounting Hole Ø16mm / Ø19mm / Ø22mm

PAS Series



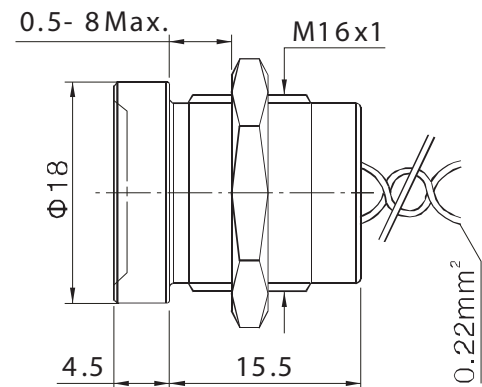
PAS165PSW

Non-illuminated, Operator Height 4.5mm, Flat



PAS165ZSW

Non-illuminated, Operator Height 4.5mm, With Finger Location



HOW TO ORDER:

PAS

1	2	3	4	5	6	7	8
---	---	---	---	---	---	---	---

MOUNTING DIMENSIONS: OPERATOR: ELECTRICAL FUNCTION: TERMINALS: COLOURS / MATERIALS: SWITCH RATINGS: LED COLOUR: LAMP VOLTAGE:

16	<p>5P Flat operator, height 4,5</p> <p>1P Flat operator, height 1.0 (non illuminated)</p> <p>5Z With finger location, height 4,5 (non- illuminated)</p>	<p>MO Momentary NO (pulse)</p> <p>MC Momentary NC (pulse)</p> <p>LO Latching (ON-OFF)</p>	<p>W Lead(length 30cm)</p> <p>Other Lead length and connection mode can be customized.</p>	<p>Blank Natural anodized</p> <p>G Blue anodized</p> <p>A Black anodized</p> <p>U Gold anodized</p> <p>F Green anodized</p> <p>C Red anodized</p> <p>S Stainless steel</p>	<p>Blank 200mA 24VAC/DC</p>	<p>Blank Non-illum.</p> <p>C Red</p> <p>F Green</p> <p>E Yellow</p> <p>D Orange</p> <p>G Blue</p> <p>B White</p>	<p>Blank Non-illum.</p> <p>05 Standard Ring 5VDC</p> <p>12 Standard Ring 12VDC</p> <p>24 Standard Ring 24VDC</p>
19	<p>3P flat operator, height 3.0</p> <p>3Z with finger location, height 3.0</p>	<p>MO Momentary NO (pulse)</p> <p>MC Momentary NC (pulse)</p> <p>LO Latching (ON-OFF)</p>	<p>W Lead(length 30cm)</p> <p>Other Lead length and connection mode can be customized.</p>	<p>Blank Natural anodized</p> <p>G Blue anodized</p> <p>A Black anodized</p> <p>U Gold anodized</p> <p>F Green anodized</p> <p>C Red anodized</p> <p>S Stainless steel</p>	<p>Blank 200mA 24VAC/DC</p>	<p>Blank Non-illum.</p> <p>C Red</p> <p>F Green</p> <p>E Yellow</p> <p>D Orange</p> <p>G Blue</p> <p>B White</p>	<p>Blank Non-illum.</p> <p>05T Thin Ring 5VDC</p> <p>12T Thin Ring 12VDC</p> <p>24T Thin Ring 24VDC</p> <p>05L Large Ring 5VDC</p> <p>12L Large Ring 12VDC</p> <p>24L Large Ring 24VDC</p>
22	<p>3P Flat operator, height 3.0 (Not available with large illuminated ring.)</p> <p>3Z With finger location, height 3.0, (Not available with illuminated ring).</p> <p>5P Flat operator, height 4.5 (Available with large illuminated ring only.)</p>	<p>MO Momentary NO (pulse)</p> <p>MC Momentary NC (pulse)</p> <p>LO Latching (ON-OFF)</p>	<p>W Lead(length 30cm)</p> <p>Other Lead length and connection mode can be customized.</p>	<p>Blank Natural anodized</p> <p>G Blue anodized</p> <p>A Black anodized</p> <p>U Gold anodized</p> <p>F Green anodized</p> <p>C Red anodized</p> <p>S Stainless steel</p>	<p>Blank 200mA 24VAC/DC</p>	<p>Blank Non-illum.</p> <p>C Red</p> <p>F Green</p> <p>E Yellow</p> <p>D Orange</p> <p>G Blue</p> <p>B White</p>	<p>Blank Non-illum.</p> <p>05T Thin Ring 5VDC</p> <p>12T Thin Ring 12VDC</p> <p>24T Thin Ring 24VDC</p> <p>05L Large Ring 5VDC</p> <p>12L Large Ring 12VDC</p> <p>24L Large Ring 24VDC</p> <p>05D Dot 5VDC</p> <p>12D Dot 12VDC</p> <p>24D Dot 24VDC</p>

All specifications are restricted to QA test criteria. DC: 20101102 MD: D.HUA APP: D.XUE DC: 2015-03-30. UPD: 2017-06-07

Piezoelectric Switches

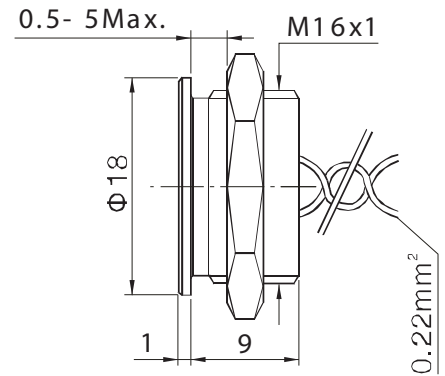
Piezoelectric Switches - Mounting Hole Ø16mm / Ø19mm / Ø22mm

PAS Series



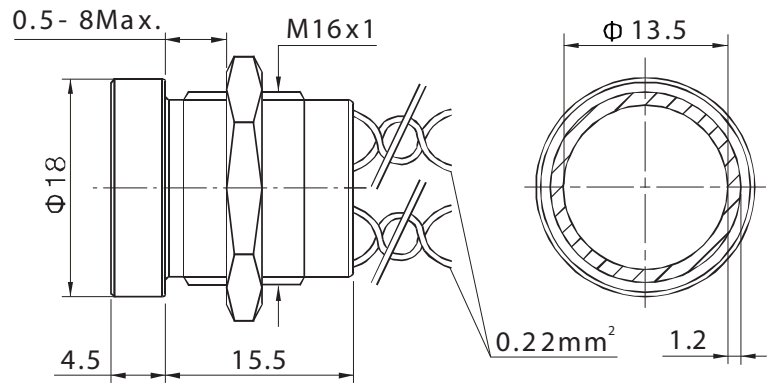
PAS161PSW

Non-illuminated, Operator Height 1.0mm, Flat



PAS165PSWC_

Standard illuminated Ring, Operator Height 4.5mm, Flat



SPECIFICATIONS:

Environmental Specifications

- > Sealing: IP68 (illum.) IP69K (non illum.)
- > Vibration Resistance: 10-500 Hz / 10g
- > Operating Temperature: -40°C to +75°C

MATERIALS

- > Case: Aluminium, anodized
- > Multi-wire leads section 0.22mm² length 300mm, twisted by pair
- > Cable, length 300mm, section depending on switch model
- > PC terminals: Bronze, tin plated

Electrical and General Specifications

- > Max. current/voltage rating: 1A 24VAC/DC or 200mA 24VAC/DC depending on version
- > Switch Resistance ON: 10 Ohm max.
- > Switch Resistance OFF: 5M Ohm min.
- > Operating Force: 2 to 6N
- > Life Expectancy: 50 million cycles
- > LED Consumption: Illuminated dot: 10mA
Illuminated ring: 20mA

Finger press ure applied to swi tch

1 = pressure/Gg
0 = no press ure/hG

Output U V W

- Momentary NO (pulse)

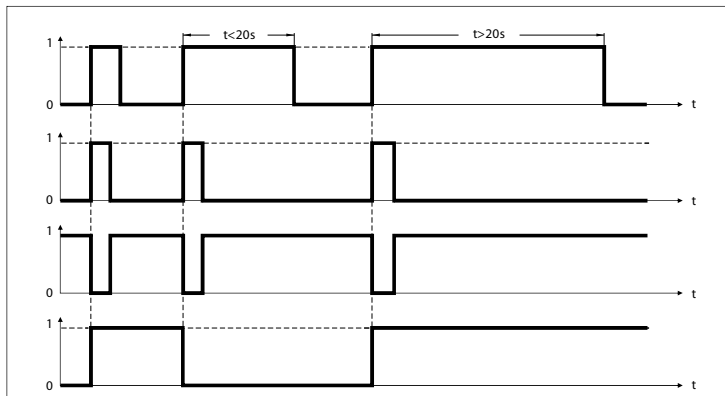
No external power supply required

- Momentary NC (pulse)

No external power supply required

- Latching (ON-OFF)

Requires external power supply



	Non - illuminated/ fgh	1 LED*
Momentary NO (pulse)		
Momentary NO (pulse)		
Latching (ON - OFF)		

NOTE: X means the color of the wire depends on the color of the LED.

Piezoelectric Switches

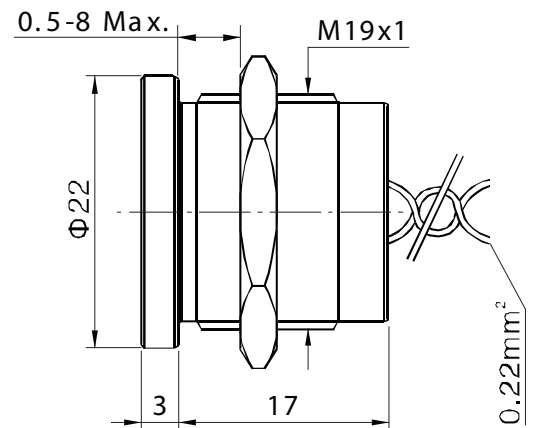
Piezoelectric Switches - Mounting Hole $\varnothing 16\text{mm}$ / $\varnothing 19\text{mm}$ / $\varnothing 22\text{mm}$

PAS Series



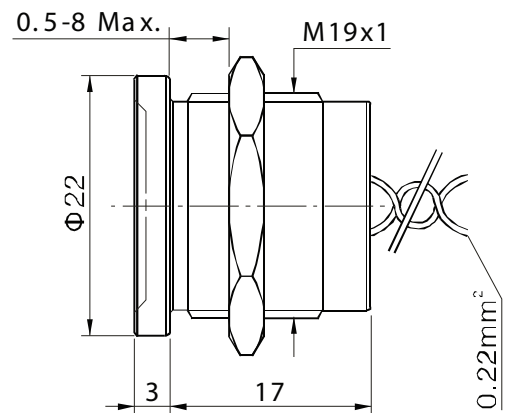
PAS193PSW

Non-illuminated, Operator Height 3.0mm, Flat



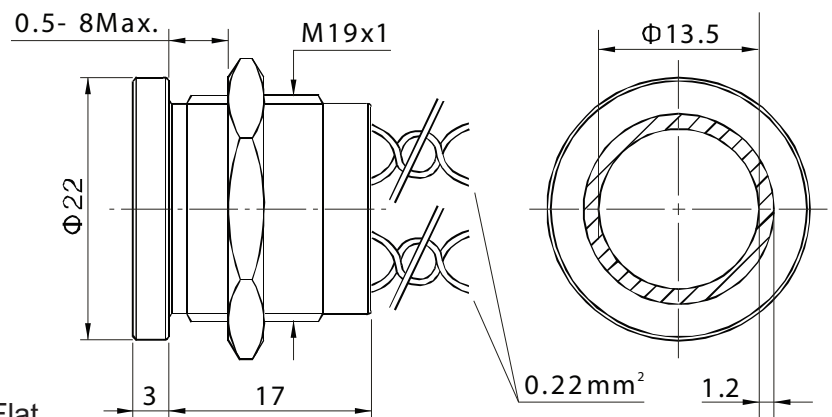
PAS193ZSW

Non-illuminated, Operator Height 3.0mm, With Finger Location



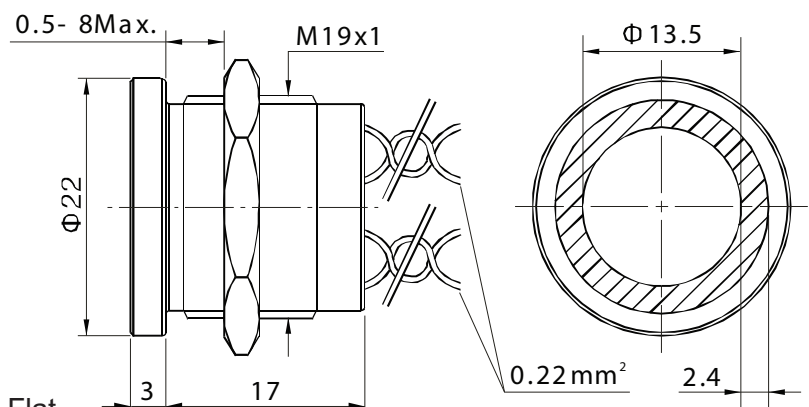
PAS193PSWC_T

Thin illuminated Ring, Operator Height 3.0mm, Flat



PAS193PSWC_L

Large illuminated Ring, Operator Height 3.0mm, Flat



Piezoelectric Switches

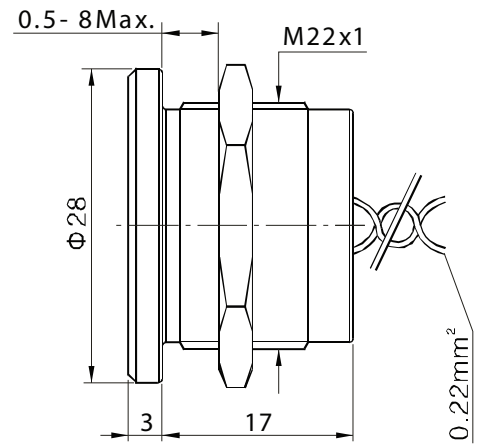
Piezoelectric Switches - Mounting Hole $\varnothing 16\text{mm}$ / $\varnothing 19\text{mm}$ / $\varnothing 22\text{mm}$

PAS Series



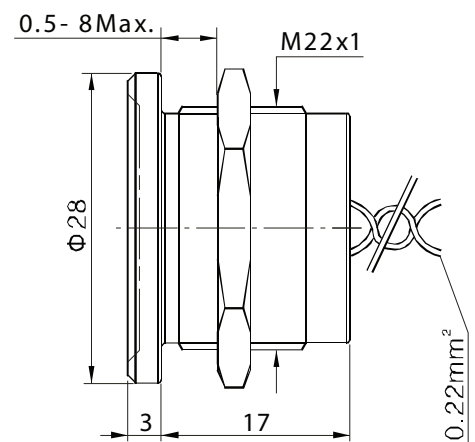
PAS223PSW

Non-illuminated, Operator Height 3.0mm, Flat



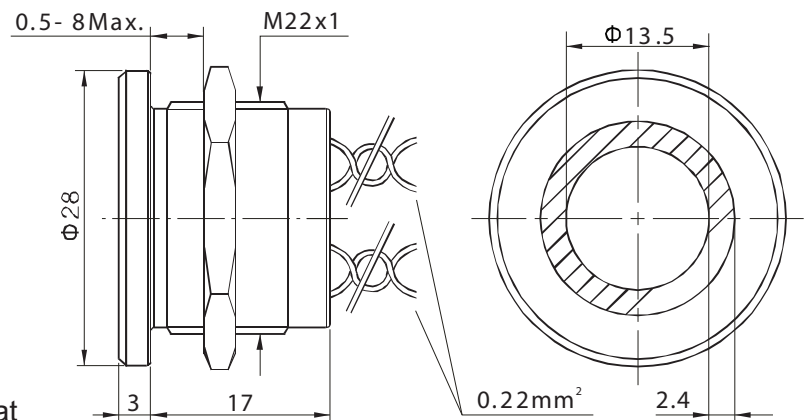
PAS223ZSW

Non-illuminated, Operator Height 3.0mm, With Finger Location



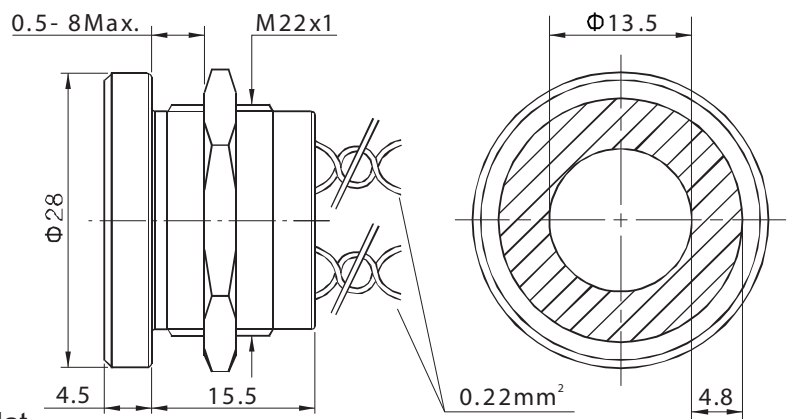
PAS223PSWC_T

Thin illuminated Ring, Operator Height 3.0mm, Flat



PAS223PSWC_L

Large illuminated Ring, Operator Height 3.0mm, Flat



Piezoelectric Switches

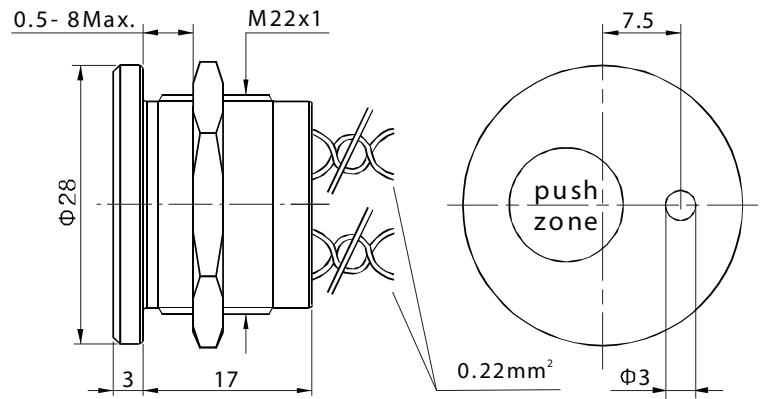
Piezoelectric Switches - Mounting Hole $\varnothing 16\text{mm}$ / $\varnothing 19\text{mm}$ / $\varnothing 22\text{mm}$

PAS Series



PAS223PSWF__D

Illuminated Dot, Green Anodized, Operator Height 3.0mm, Flat



PAS223ZSWC__D

Illuminated Dot, Red Anodized, Operator Height 3.0mm, With Finger Location

